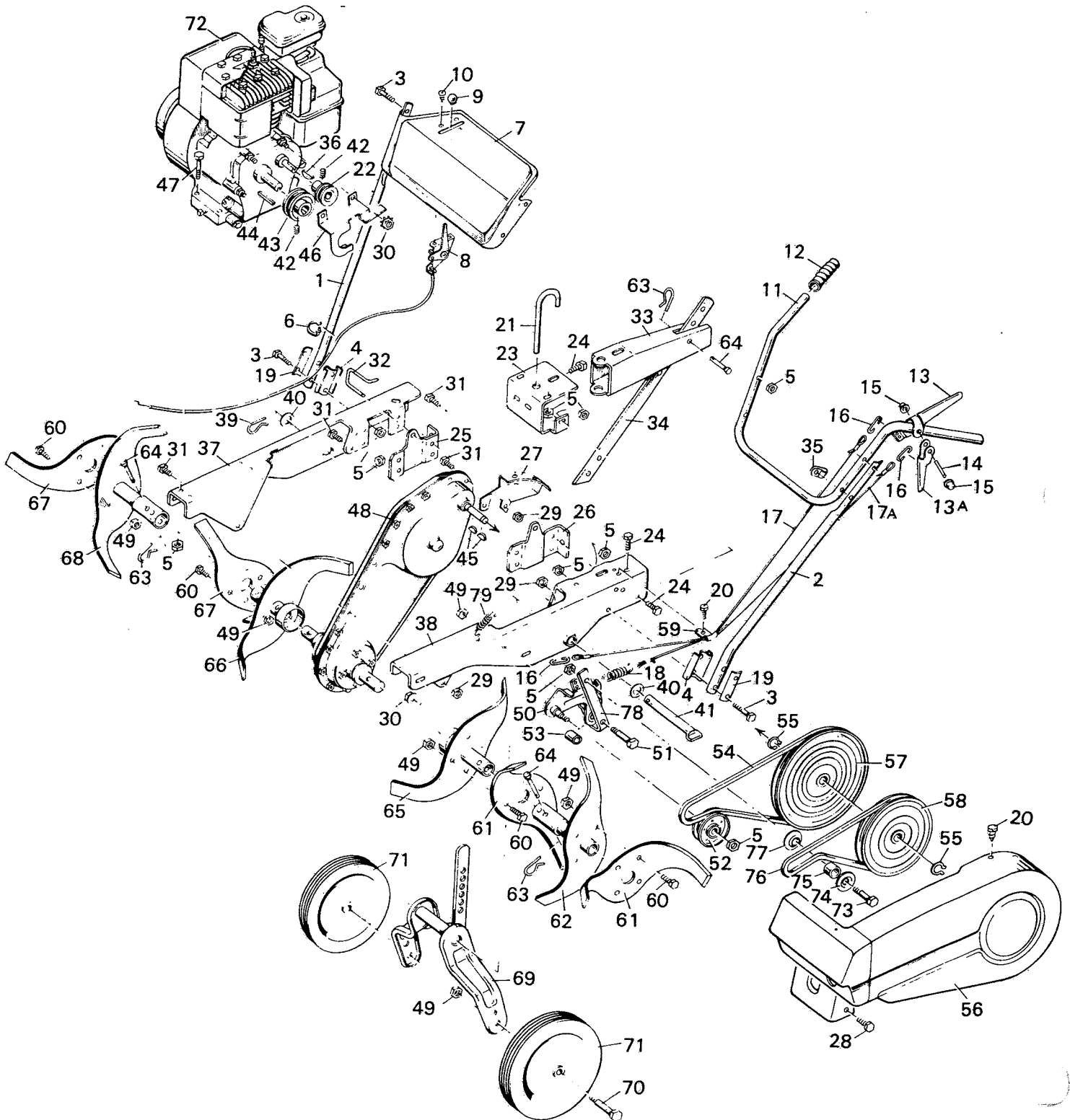


MODEL 0-1302

GARDEN TILLER

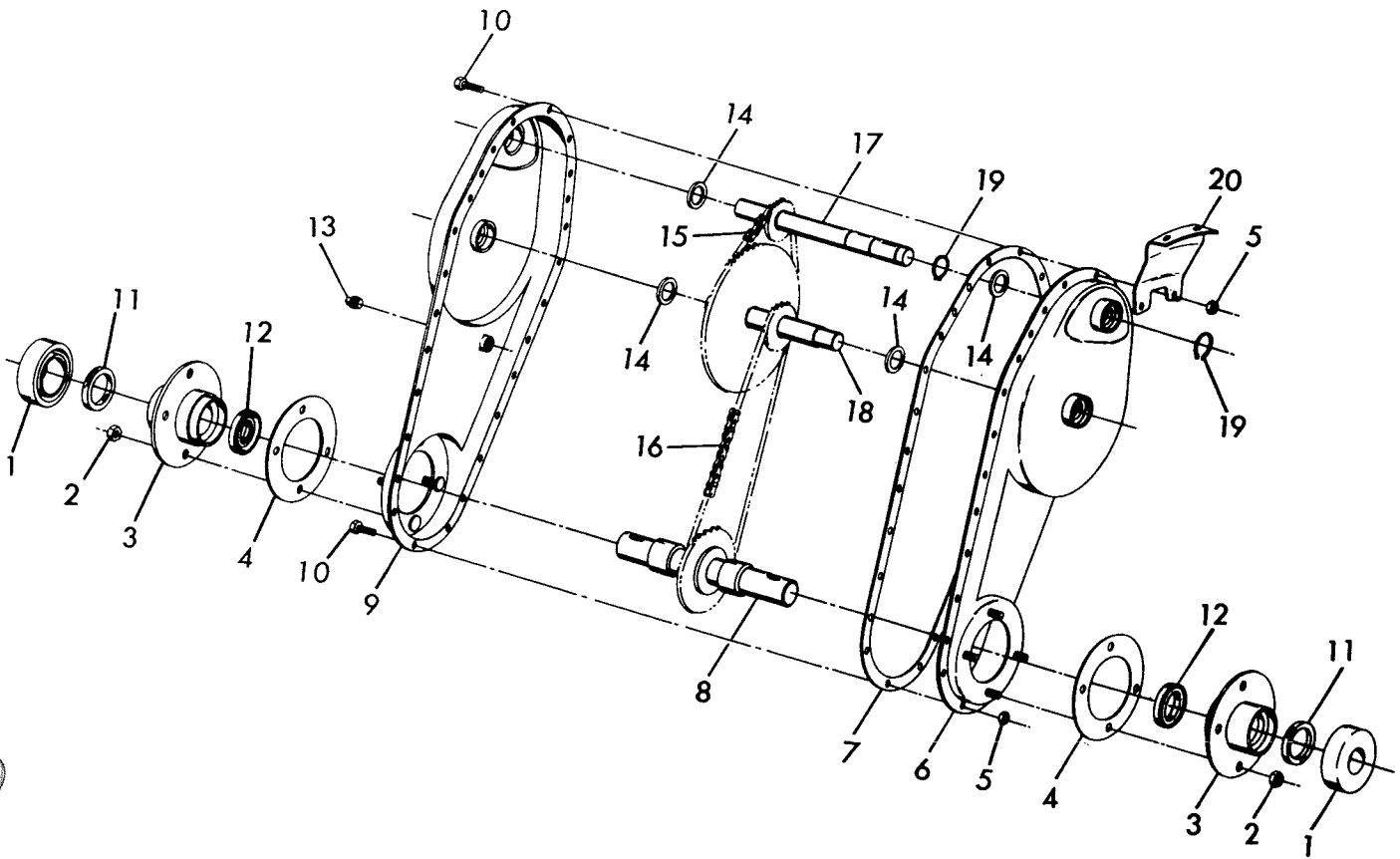


MODEL 0-1302

PARTS LIST

| Key No. | Part No. | Description | Key No. | Part No. | Description |
|---------|----------|---------------------------|---------|----------|----------------------------------|
| 1 | 75064C | Lower Handle R.H. | 42 | 23X48 | Set Screw |
| 2 | 75065C | Lower Handle L.H. | 43 | 75074 | Engine Pulley |
| 3 | 1X98 | Hex Bolt 5/16"-18X1-7/8"* | 44 | 21553 | Square Key 3/16" |
| 4 | 75045Z | Handle Bracket | 45 | 21539 | Woodruff Key |
| 5 | 15X88Z | Flange Locknut 5/16"-18* | 46 | 75146Z | Belt Guide |
| 6 | 32618 | Tie Strap | 47 | 1X102 | Engine Bolt 5/16"-18X1-1/2" |
| 7 | 75095 | Control Plate | 48 | 75206 | Transmission |
| 8 | 75094PA | Remote Control | 49 | 15X84Z | Flange Locknut 3/8"-16* |
| 9 | 20339 | Control Knob | 50 | 75075Z | Idler Bracket Assembly |
| 10 | 26X36 | Screw # 8* | 51 | 9X10 | Shoulder Bolt |
| 11 | 75066C | Upper Handle | 52 | 75149 | Idler Pulley |
| 12 | 75078 | Grip | 53 | 75145Z | Spacer |
| 13 | 75077Z | Clutch Lever | 54 | 75121 | Belt |
| 13A | 75144Z | Reverse Lever | 55 | 11X7 | Retainer Ring |
| 14 | 75137Z | Clutch Pin | 56 | 75122 | Belt Guard Assembly |
| 15 | 28X42 | Push-On-Cap | 57 | 75073 | Transmission Pulley |
| 16 | 75079 | Clutch Cable Hook | 58 | 21410 | Input Pulley |
| 17 | 75081 | Clutch Cable - Forward | 59 | 21953Z | Cable Guide |
| 17A | 75148 | Clutch Cable - Reverse | 60 | 1X85Z | Bolt 3/8"-16X3/4" |
| 18 | 75083 | Spring | 61 | 75108 | Tine - Stamped "C" |
| 19 | 75046Z | Handle Clamp | 62 | 75218 | L.H. Outside Tine & Hub Assembly |
| 20 | 26X195 | Screw | 63 | 75336 | Hair Pin |
| 21 | 75082Z | Tail Piece Pin | 64 | 75060 | Tine Pin |
| 22 | 75132 | Pulley | 65 | 75213 | L.H. Inside Tine & Hub Assembly |
| 23 | 75200 | Chassis Bracket | 66 | 75215 | R.H. Inside Tine & Hub Assembly |
| 24 | 1X45Z | Hex Bolt 5/16"-18X5/8" | 67 | 75109 | Tine - Stamped "D" |
| 25 | 75038 | R.H. Guide Bracket | 68 | 75220 | R.H. Outside Tine & Hub Assembly |
| 26 | 75039 | L.H. Guide Bracket | 69 | 75098 | Wheel Bracket Assembly |
| 27 | 75104 | Rear Guard Bracket | 70 | 75048 | Axle Bolt |
| 28 | 1X38Z | Bolt 1/4"-20X5/8" | 71 | 75047 | Wheel & Tire |
| 29 | 15X86 | Stove Nut 1/4"-20 | 72 | ----- | Engine |
| 30 | 15X66 | Keps Nut 1/4"-20 | 73 | 9X1 | Shoulder Bolt |
| 31 | 1X95 | Bolt 1/4"-20X7/8" | 74 | 75141Z | Washer |
| 32 | 75071Z | Pin | 75 | 75133 | Spacer |
| 33 | 75210 | Tail Piece Assembly | 76 | 75147 | Belt |
| 34 | 75222 | Drag Stake | 77 | 75140Z | Washer |
| 35 | 75143 | Cable Guide | 78 | 75142Z | Idler Bracket |
| 36 | 75136 | Woodruff Key 1/8"X5/8" | 79 | 75135 | Spring |
| 37 | 75224 | R.H. Chassis | | 75225 | Parts Bag Assembly |
| 38 | 75063 | L.H. Chassis | | F-4641 | Owners Manual |
| 39 | 75061 | Spring | | | |
| 40 | 17X100Z | Washer | | | |
| 41 | 75102Z | Pin | | | |

MODEL 75206 TRANSMISSION FOR 0-1302



| Key No. | Part No. | Description |
|---------|----------|---|
| 1 | 75014 | Dust Cap |
| 2 | 15X88Z | Flange Locknut (.31-18NC) |
| 3 | 75179 | Flange and Bearing Assembly |
| 4 | 75015 | Flange Gasket |
| 5 | 15X89Z | Flange Locknut (.25-20NC-2) |
| 6 | 75033 | Left Hand Drive Housing and Bearing Assembly |
| 7 | 75030 | Drive Housing Gasket |
| 8 | 75204 | Tine Shaft Assembly |
| 9 | 75032 | Right Hand Drive Housing and Bearing Assembly |
| 10 | 1X38Z | Hex Bolt (.25-20NCX.625 Grade 5) |
| 11 | 75013 | Felt Washer |
| 12 | 75029 | Rubber Seal |
| 13 | 75088 | Pipe Plug |
| 14 | 75031 | Thrust Washer |
| 15 | 75115 | Chain and Link Assembly |
| 16 | 75114 | Chain and Link Assembly |
| 17 | 75139 | Input Shaft Assembly |
| 18 | 75016 | Idler Shaft Assembly |
| 19 | 11X7 | Retainer Ring (.625 D Shaft) |
| 20 | 75104 | Rear Belt Guard Bracket |