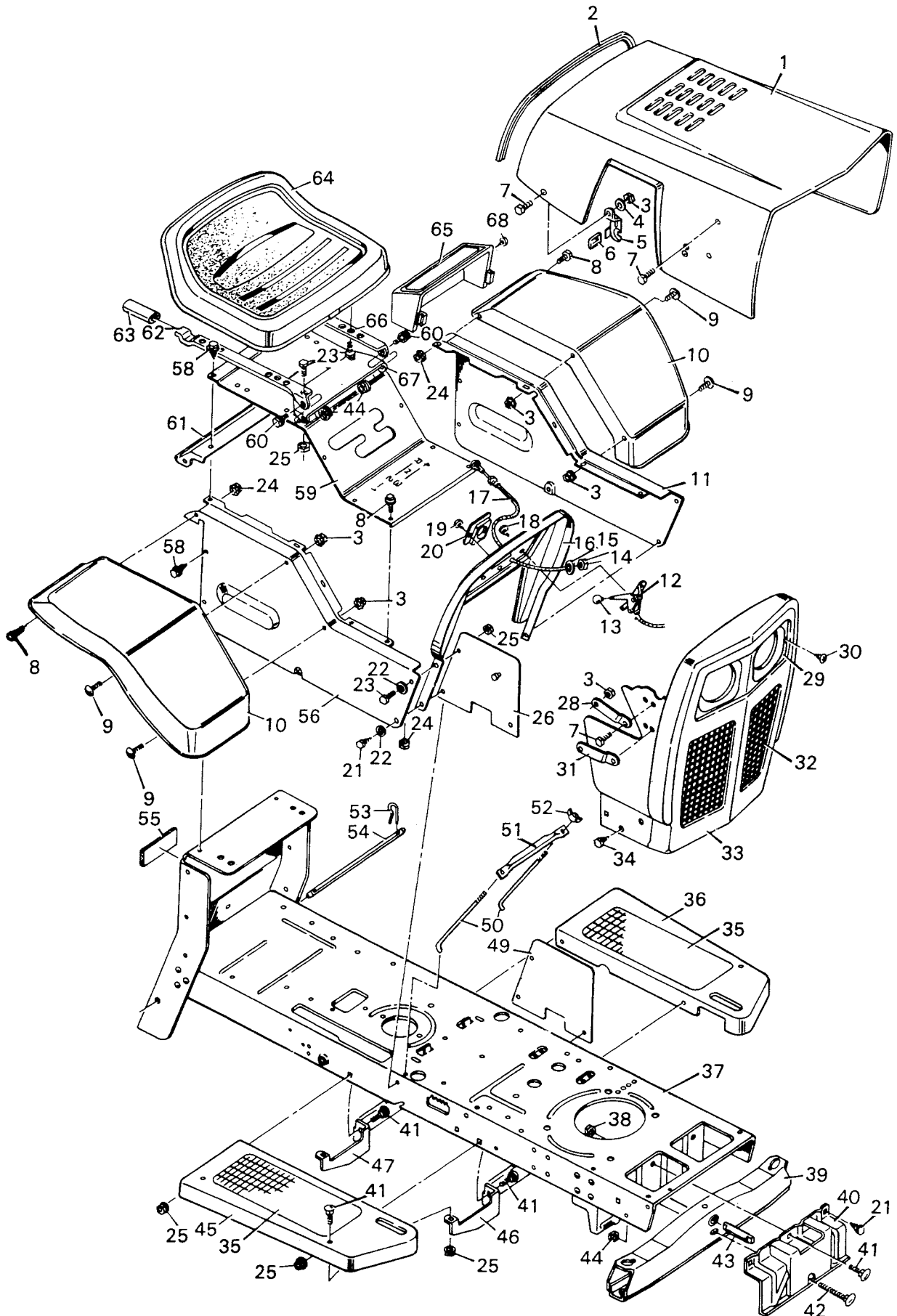


MODEL 9-4166

GARDEN TRACTO
BODY SECTION

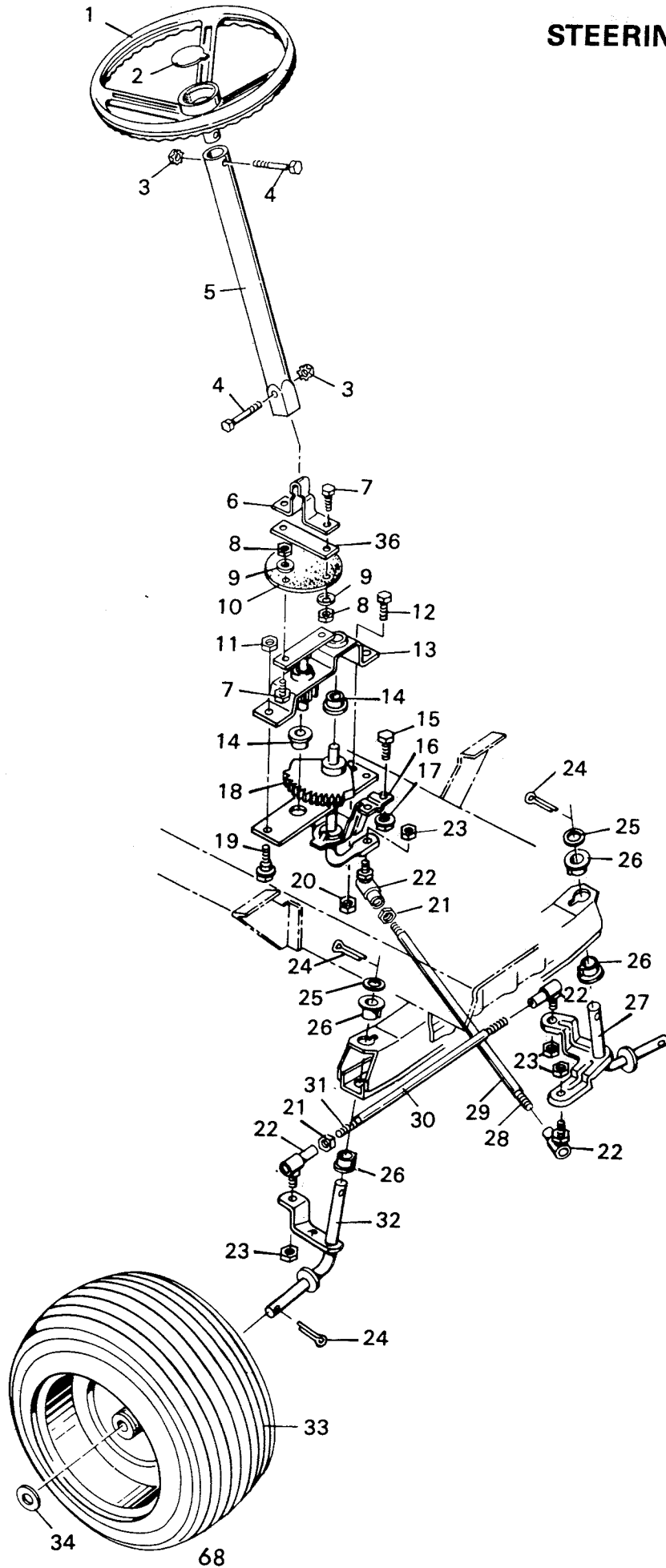


MODEL 9-4166

Key No.	Part No.	Description	Key No.	Part No.	Description
1	24087	Hood Assembly	34	26X202	Hex Washer Screw 3/8"X5" Type AB
2	21765	Edge Trim	35	21710	Rubber Mat
3	15X81	Hex Nut # 10-24	36	23823	Running Board - L.H.
4	17X17Z	Flat Washer I.D. - 1/4"	37	402034	Frame Channel Assembly
5	21798Z	R.H. Hood Latch	38	15X88Z	Flange Locknut 5/16"-18
	21799Z	L.H. Hood Latch	39	21441	Front Axle Assembly
6	21434	Hood Latch Grip	40	23845	Axle Hanger Assembly
7	4X24Z	Machine Screw # 10-24X 1/4"	41	2X53	Carriage Bolt 5/16"-18X 3/4"
8	1X38Z	Hex Bolt 1/4"-20X3/8"	42	2X60	Carriage Bolt 3/8"-16X3"
9	4X67	Machine Screw # 10-24X 3/4"	43	21469	Pivot Pin
10	23006	Fender	44	15X84	Flange Locknut 3/8"-16
11	23399	Side Panel - L.H.	45	23936	Running Board - R.H.
12	23844PA	Throttle Control	46	24105	Running Board Support
13	20399	Control Knob	47	23038	Running Board Support Assembly
14	15X33	Hex Nut 3/8"-24	49	23293	Side Plate- L.H.
15	18X31	Spring Lockwasher I.D. - 3/8"	50	21762Z	Battery Clamp Rod
16	23972	Control Panel	51	23779Z	Battery Clamp
17	23780	Choke Cable	52	14X81	Wingnut 1/4"-20
18	26X159	Tapping Screw # 8-18X3/8" Type A	53	23070	Cotter Hair Pin
19	26X186	Screw # 10X 1/2" Type AB	54	23054	Drawbar
20	21707	Steering Post Bearing	55	23069	Reflector
21	26X197	Screw 5/16"X 3/4" Type A	56	23398	Side Panel - R.H.
22	17X47	Washer I.D. 11/32"	58	26X213	Hex Screw
23	1X45Z	Hex Bolt 5/16"-18X5/8"	59	23397	Top Panel
24	15X66	Locknut 1/4"-20	60	9X12	Shoulder Bolt 3/8"-16X7/8"
25	15X88Z	Locknut 5/16"-18	61	23026	Rear Insert
26	23292	Side Plate - R.H.	62	24004E	Seat Hinge - R.H.
28	23046	Pivot Bar	63	22196	Seat Hinge Grip
29	23303C	Retainer - Headlite	64	23884	Seat
30	26X159	Screw # 8X3/8" Type A	65	23993	Battery Cover
31	23088	Pivot Bar Assembly	66	24005E	Seat Hinge - L.H.
32	24089E	Grille Screen	67	24006E	Hinge Bracket
33	23999	Grille Frame Assembly	68	26X195	Screw

MODEL 9-4166

STEERING SECTION

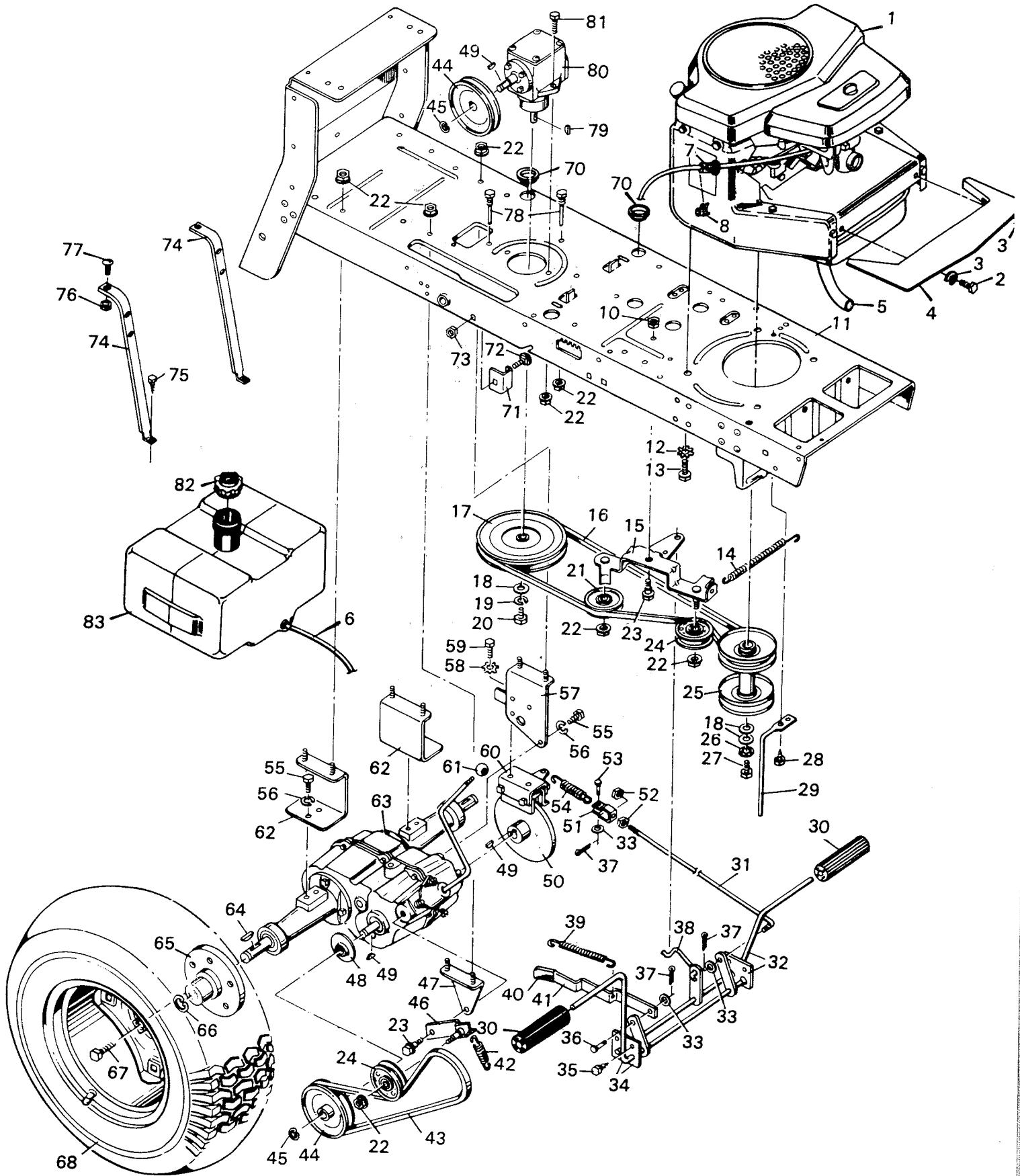


MODEL 9-4166

Key No.	Part No.	Description
1	21688	Steering Wheel
2	21303	Steering Wheel Cap
3	15X76	Locknut 5/16"-18
4	1X75	Bolt 5/16"-18X1 3/4"
5	21486C	Steering Post
6	21489	Steering Coupling
7	1X95	Hex Bolt 1/4"-20X7/8"
8	15X67	Locknut 1/4"-20
9	23039	Cup Washer
10	21532	Steering Disc
11	15X84	Locknut 3/8"-16
12	1X45	Hex Bolts 5/16"-18X5/8"
13	21492	Steering Gear Bracket Assembly
14	20587	Bearing
15	1X45	Hex Bolt 5/16"-18X5/8"
16	21693	Steering Bracket
17	15X79	Locknut 5/16"-18
18	21692	Steering Gear Assembly
19	9X12	Shoulder Bolt
20	15X43	Locknut 5/16"-18
21	15X61	Hex Nut 3/8"-24
22	21031	Ball Joint
23	15X87	Locknut 3/8"-24
24	30X49	Cotter Pin 1 1/2"
25	17X83	Washer
26	23820	Spindle Bearing
27	23149	Spindle Assembly L.H.
28	21482	Drag Link
29	156X1	Sleeve
30	156X2	Sleeve
31	21475	Tie Rod
32	23148	Spindle Assembly R.H.
33	23400	Wheel & Tire
*	407225	Wheel Only
*	403058	Tire Only
*	400162	Valve Stem & Cap
*	403056	Front Wheel Bearing
34	17X83Z	Washer
35	400239	Grease Fitting
36	21490	Steering Bracket
	21747	Parts Bag Assembly

MODEL 9-4166

DRIVE SECTION



MODEL 9-4166

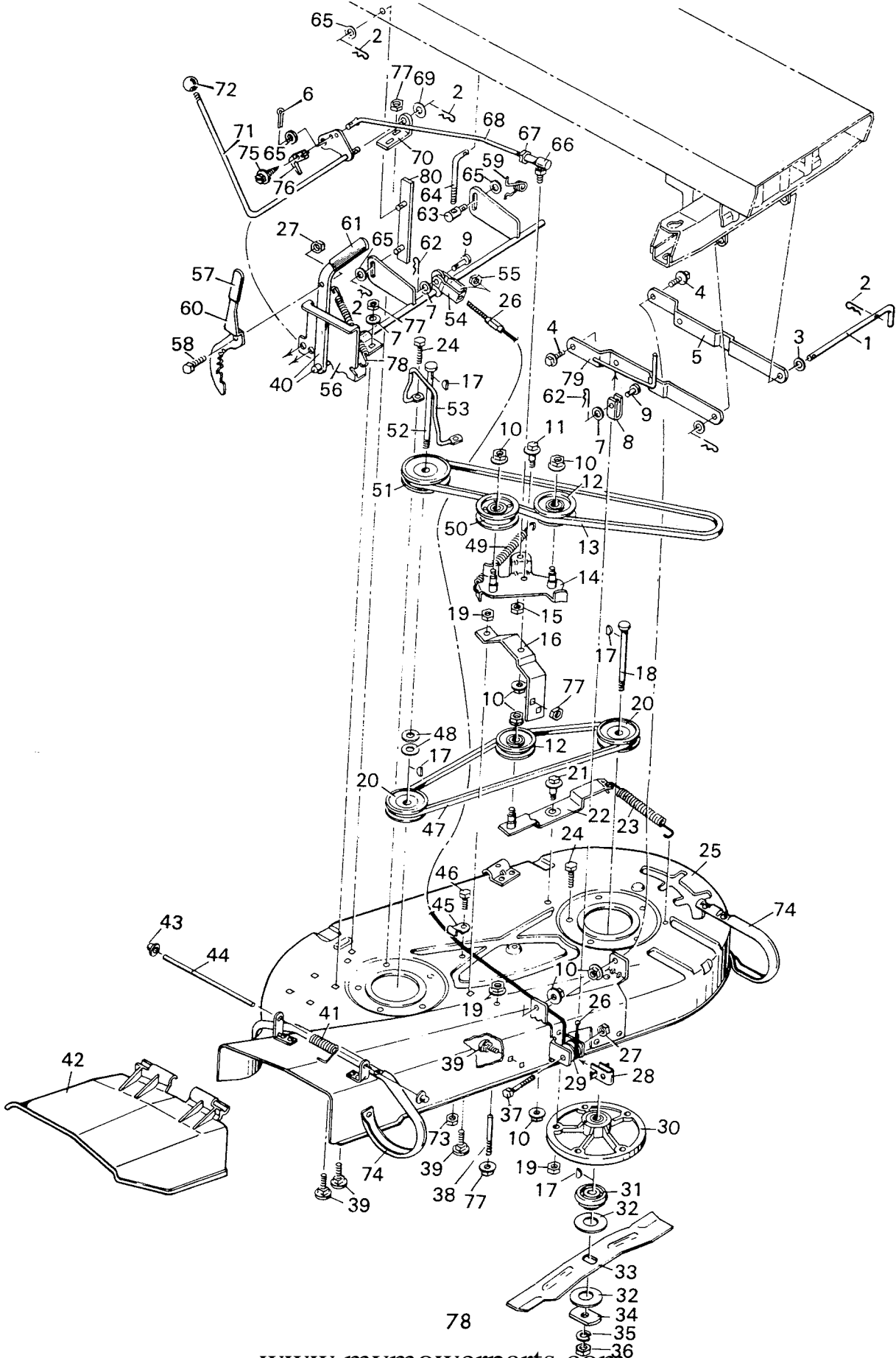
Key No.	Part No.	Description	Key No.	Part No.	Description
1	-----	Engine 16 hp. Briggs	44	23051	Pulley
2	1X38Z	Hex Bolt 1/4"-20X5/8"	45	11X5	Retaining Ring
3	18X32	Spring Lockwasher I.D. .255	46	23044Z	Idler Assembly
4	23869E	Baffle	47	23022	Transaxle Bracket - R.H. Front
5	23743E	Exhaust Pipe Assembly	48	23041Z	Extruded Washer
6	23714	Fuel Line - 34"	49	20697	Woodruff Key # 9
7	23712	Filter	50	23013	Disc & Hub Assembly
8	23713	Hose Clamp	51	21915	Adjusting Clevis
9	23783	Oil Drain Extension*	52	15X2	Hex Nut 5/16"-18
10	21651	Oil Drain Cap*	53	29X93	Clevis Pin
11	402034	Frame Channel Assembly	54	21675	Brake Spring
12	19X8	External Lockwasher	55	1X85Z	Bolt 3/8"-16X 3/4"
13	20103	Engine Mount Bolts	56	18X31	Spring Lockwasher
14	23874	Drive Idler Spring	57	23023	Transaxle Bracket L.H. Front
15	21428	Idler Bracket	58	19X6	Shakeproof Washer
16	23098	Drive Belt	59	1X63	Bolt 5/16"-24X5/8"
17	23052	Pulley	60	23019	Caliper Brake Unit
18	10851Z	Washer	61	20844	Knob
19	18X15	Lockwasher	62	23005	Transaxle Bracket Assembly
20	1X45Z	Bolt 5/16"-18X5/8"	63	-----	Transaxle* *
21	20613	Idler Pulley	64	24039	Square Key
22	15X84	Flange Locknut 3/8"-16	65	23020	Wheel Hub
23	9X12	Shoulder Bolt 3/8"-16X7/8"	66	11X6	Retainer Ring
24	21409	Idler Pulley	67	1X80	Bolt 7/16"-20X1
25	23725Z	Stack Pulley	68	23320	Wheel & Tire
26	19X39	Shakeproof Washer	*	407226	Wheel Only
27	1X20	Bolt	*	400162	Valve Stem & Cap
28	26X49	Screw	69	20062	Woodruff Key # 6*
29	23789Z	Belt Guide	70	21268	Grommet
30	21544	Pedal	71	23047	Belt Guide - L. Bracket
31	23032	Brake Rod	72	2X53	Carriage Bolt
32	21951	Clutch Lever Assembly	73	15X79	Flange Locknut 5/16"-18
33	17X47	Washer	74	23310	Gas Tank Support
34	21949	Brake Lever Assembly	75	26X197	Screw
35	26X174	Screw	76	15X89	Flange Locknut 1/4"-20
36	26X95	Clevis Pin	77	2X67	Carriage Bolt 1/4"-20X 3/4"
37	30X20	Cotter Pin	78	20619	Guide Screw
38	21681	Clutch Link Rod	79	21539	Woodruff Key # 61
39	20682	Parking Brake Spring	80	-----	Right Angle Drive * * *
40	21434	Grip-Parking Brake	81	1X97	Bolt 3/8"-16X1 1/4"
41	21484Z	Parking Brake Arm	82	23787	Gas Cap
42	23067	Spring	83	23396	Gas Tank Assembly
43	23853	Right Angle Drive Belt			

* * Note: Complete illustration of transaxle shown on pages 96 & 97.

* * * Note: Complete illustration of right angle drive shown on page 99.

* Not illustrated in Manual.

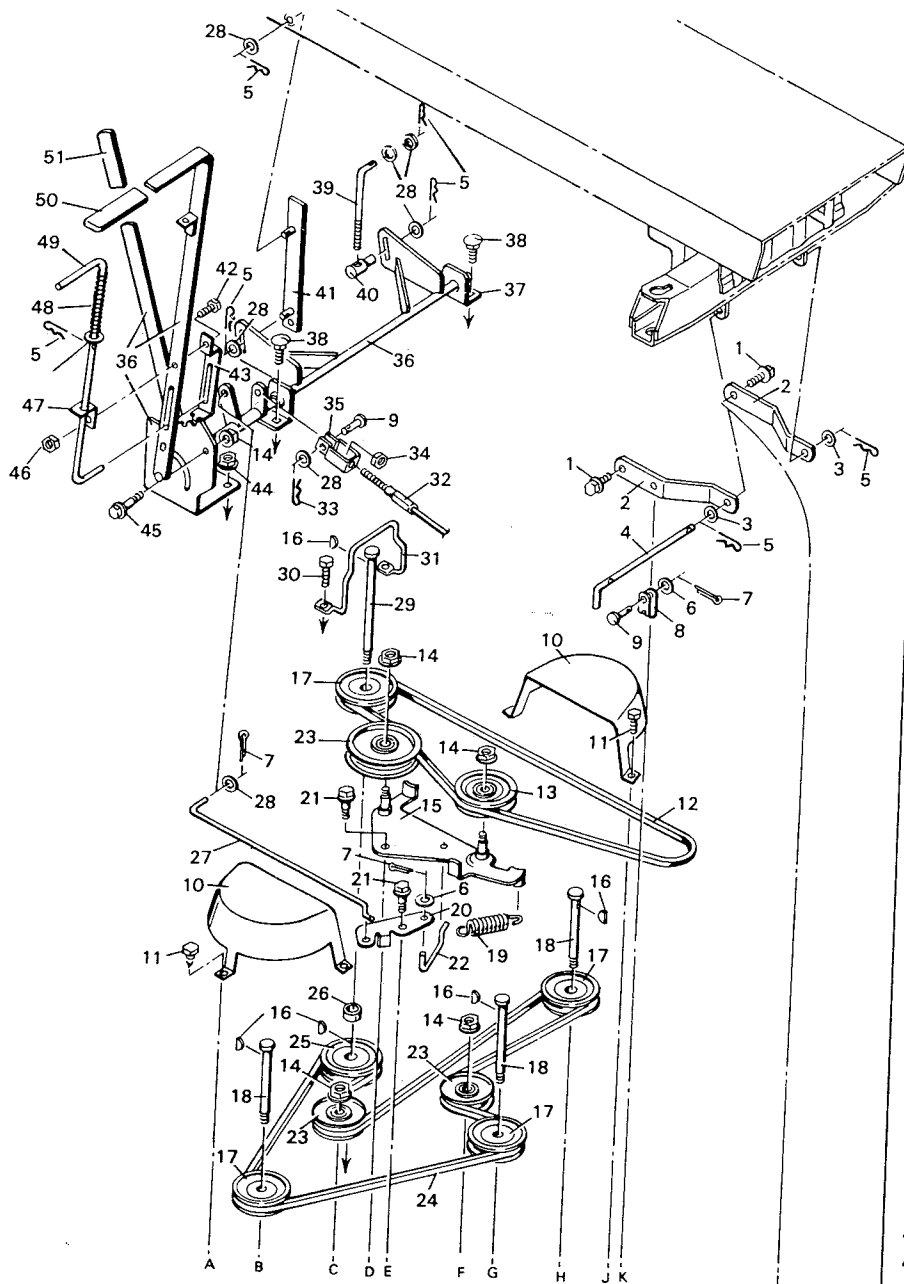
**MODEL 9-3600
36" MOWER ATTACHMENT
FOR 9-4166
9-4169**



MODEL 9-3600

Key No.	Part No.	Description	Key No.	Part No.	Description
1	21912Z	Pull Pin	42	21154	Chute Deflector
2	20692	Cotter Hair Pin	43	28X23	Push-On-Cap
3	17X57Z	Washer	44	21198Z	Deflector Rod
4	9X14	Shoulder Bolt	45	21953Z	Cable Guide
5	21911	Support Arm L.H.	46	1X38Z	Bolt 1/4"-20X5/8"
6	30X20	Cotter Pins	47	20557	Cross Drive Belt
7	17X47Z	Washer	48	17X87Z	Washers
8	24073	Clevis	49	24074	Idler Spring
9	29X93	Clevis Pin	50	21409	Idler Pulley
10	15X84	Flange Locknut 3/8"-16	51	23538	Jackshaft Pulley
11	9X12	Shoulder Bolt 3/8"-16X7/8"	52	21024	Jackshaft - Long
12	20613	Idler Pulley	53	23769Z	Belt Guide
13	23882	Blade Drive Belt	54	21915Z	Adjusting Clevis
14	23793	Blade Drive Idler Assembly	55	15X2	Hex Nut 5/16"-18
15	15X77	Locknut 3/8"-24	56	21500	Lifter Bracket
16	21496	Idler Support Bracket	57	20476	Lifter Latch Grip
17	20062	Woodruff Key # 6	58	6X46	Shoulder Screw
18	20616	Jackshaft - Short	59	23139Z	Torsion Spring
19	15X88	Flange Locknut 5/16"-18	60	21591Z	Lifter Latch
20	21022	Jackshaft Pulley	61	21249	Lifter Grip
21	9X15	Shoulder Bolt	62	20692	Cotter Hair Pin
22	21139Z	Twin Blade Idler Bracket Assembly	63	21920	Adjusting Nut
23	20682	Cross Drive Idler Spring	64	21919Z	Adjusting Rod
24	1X84Z	Bolt 5/16"-18X1"	65	17X53Z	Washer
25	21907	Blade Housing Assembly	66	21031	Ball Joint
26	21913	Lifter Cable	67	15X61	Hex Nut 3/8"-24
27	15X67	Hex Nut 1/4"-20	68	23792	Link Rod
28	21917Z	Cable Guide	69	17X67Z	Washer
29	21916	Nylon Pulley	70	20934	Scissors Bracket R.H.
30	20551	Jackshaft Housing Assembly	71	23915C	Blade Drive Lever Assembly
31	20617	Blade Adapter	72	20739	Lever knob
32	21673Z	Washer	73	15X66	Hex Nut 1/4"-20
33	20930	Blade	74	404015	Skid Set
34	20663Z	Blade Washer	75	26X211	Screw 1/4"X1/2"
35	18X27	Lockwasher	76	24527	Limit Switch
36	15X72	Hex Nut 1/2"-20	77	15X79	Flange Nut
37	1X90	Bolt 1/4"-20X1-3/4"	78	20682	Lifter Latch Spring
38	23169	Belt Guide	79	23256	Support Arm Assembly R.H.
39	2X53	Carriage Bolt	80	23252Z	Hanger Bracket Assembly R.H.
40	21906	Lifter Assembly		23086	Parts Bag Assembly
41	21189	Torsion Spring			

**MODEL 9-4200
42" MOWER ATTACHMENT
FOR 9-4166 & 9-4169
TOP HALF**

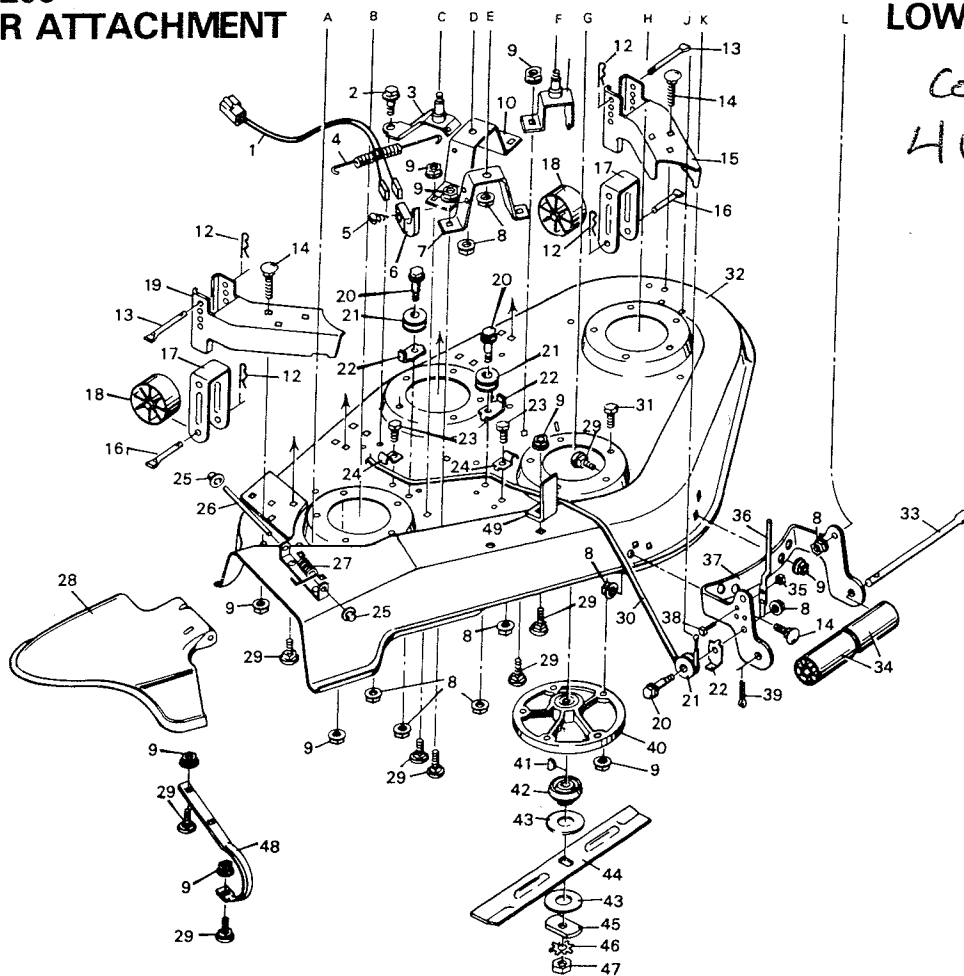


Key No.	Part No.	Description
1	9X14	Shoulder Bolt
2	23185	Support Arm
3	17X57Z	Washer I.D. 15/32"
4	21912Z	Pull Pin
5	20692	Hair Pin
6	17X47Z	Washer I.D. 11/32"
7	30X20	Cotter Pin
8	24073Z	Clevis
9	29X93	Clevis Pin
10	23231	Pulley Cover
11	26X195	Screw 1/4"X1/2" Type AB
12	23748	Blade Drive Belt
13	23211	Idler Pulley
14	15X84	Flange Locknut 3/8"-16
15	23179Z	Blade Drive Idler
16	20062	Woodruff Key
17	20615	Pulley
18	20616	Jackshaft
19	24074	Spring - Blade Drive
20	23226Z	Engagement Link
21	9X12	Shoulder Bolt 3/8"-16X7/8"
22	23228Z	Engagement Link Rod
23	23238	Backside Idler Pulley
24	23749	Cross Drive Belt
25	23739	Jackshaft Pulley
26	23213Z	Spacer
27	23232Z	Link Rod
28	17X53Z	Washer I.D. 13/32"
29	23180	Jackshaft
30	1X84Z	Hex Bolt 5/16"-18X1"
31	23751Z	Belt Guide
32	24072	Lifter Cable
33	20692	Hair Pin
34	15X2	Hex Nut 5/16"-18
35	21915Z	Adjusting Clevis
36	24015	Lifter Assembly
37	23184	Lifter Support
38	2X53	Carriage Bolt 5/16"-18X3/4"
39	23824Z	Adjusting Rod
40	21920	Adjusting Nut
41	23204Z	R.H. Mounting Bracket
42	1X95	Hex Bolt 1/4"-20X7/8"
43	23192Z	Guide Bracket
44	15X88Z	Flange Nut 5/16"-18
45	21602	Shoulder Bolt 3/8"-16
46	15X66	Keps Nut 1/4"-20
47	23193Z	Guide Bracket
48	23221Z	Lifter Spring
49	23194Z	Lifter Latch
50	23222	Lifter Grip
51	21249	Engagement Lever Grip

**MODEL 9-4200
42" MOWER ATTACHMENT**

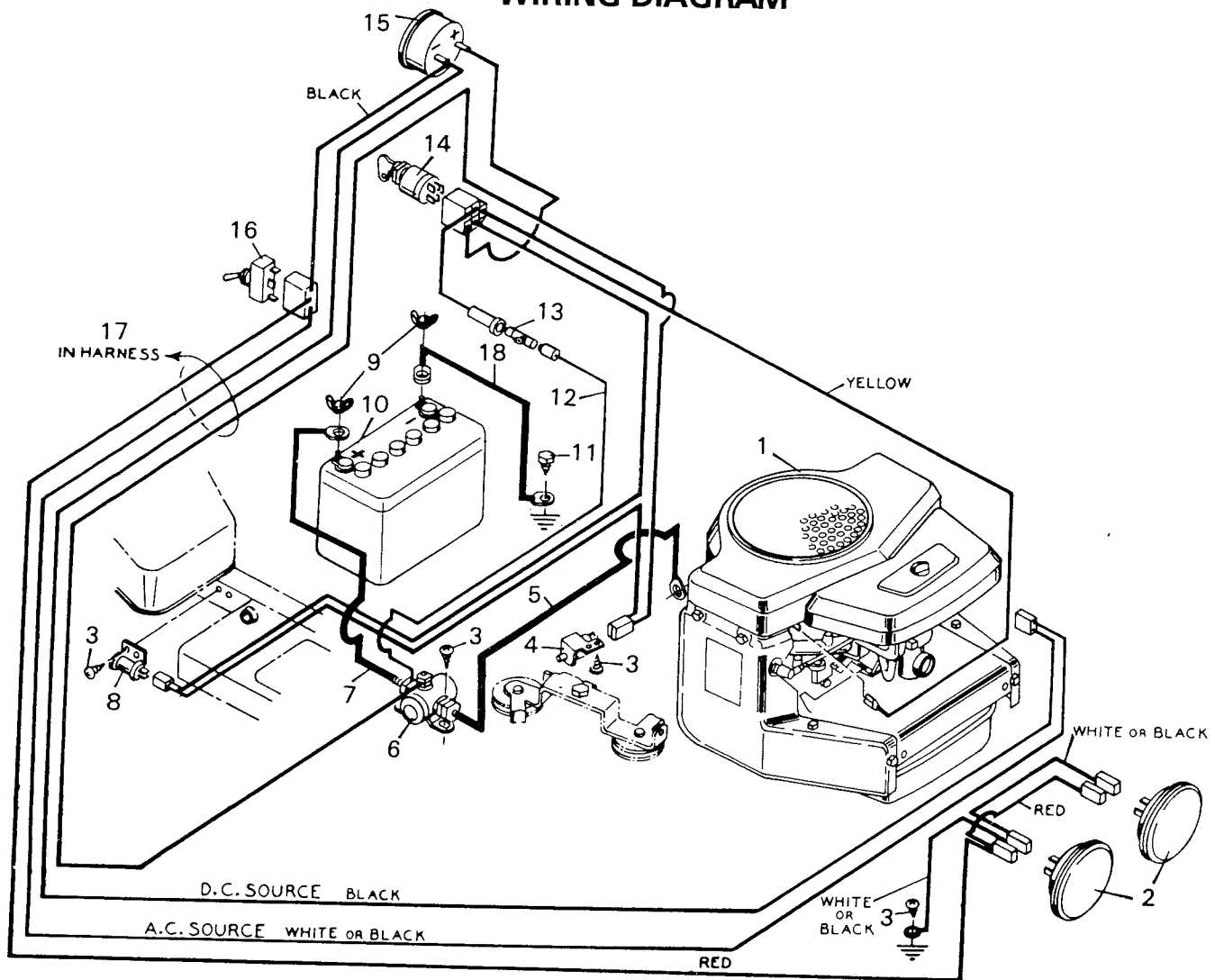
**FOR 9-4166 & 9-4169
LOWER HALF**

*Complete Deck
403134*



Key No.	Part No.	Description	Key No.	Part No.	Description
1	23983	Jumper Wire	27	21189	Torsion Spring
2	9X15	Shoulder Bolt 3/8"-16X7/8"	28	23224	Chute Deflector
3	23178Z	Cross Drive Idler Assembly	29	2X53	Carriage Bolt 5/16"-18X3/4"
4	23750	Spring - Cross Drive	30	24072	Lifter Cable
5	26X211	Screw # 8X1" Type AB	31	1X84Z	Hex Bolt 5/16"-18X3/4"
6	24527	Limit Switch	32	404058	Blade Housing Assembly
7	23241	Engagement Link Support	33	23186Z	Roller Axle
8	15X84	Flange Locknut 3/8"-16	34	23203	Roller
9	15X88Z	Flange Locknut 3/8"-16	35	15X89Z	Flange Locknut 1/4"-20
10	23240	Idler Support	36	23790Z	Belt Guide - 11 hp.
11	23177	Fixed Idler Assembly	*	24071Z	Belt Guide - 16 hp.
12	20692	Cotter Hair Pin	37	24009	Roller Support
13	23259Z	Gauge Wheel Axle - Long	38	1X95	Hex Bolt 1/4"-20X7/8"
14	2X58	Carriage Bolt 5/16"-18X2-1/2"	39	30X49	Cotter Pin
15	23279	L.H. Gauge Wheel Bracket	40	20551	Jackshaft Housing
16	23258Z	Gauge Wheel Axle - Short	41	20062	Woodruff Key
17	23260Z	Gauge Wheel Retainer	42	20617	Blade Adapter
18	23257	Gauge Wheel	43	21673Z	Washer
19	23278	R.H. Gauge Wheel Bracket	44	23209	Blade
20	9X13	Shoulder Bolt	45	20663Z	Blade Washer
21	23187	Nylon Pulley	46	18X27	Lockwasher
22	23191Z	Cable Guide	47	15X72	Hex Nut 1/4"-20
23	26X195	Screw 1/4"X1/2" Type AB	48	24070	Skid
24	21953Z	Cable Guide	49	24104	Stop Clip
25	28X23	Push-On-Cap		23242	Parts Bag
26	23173Z	Deflector Rod			

MODEL 9-4166 WIRING DIAGRAM



Key No.	Part No.	Description
1	-----	Engine - 16 hp. Briggs
2	23757	Sealed Beam Light
3	26X185	Screw # 10
4	21549	Limit Switch
5	23786	Battery Cable
6	21261	Solenoid
7	23806	Battery Cable - Red
8	23029	Dummy Switch
9	14X81	Wing Nut 1/4"-20
10	24106	Battery
*	23851	Electrolyte - 85 oz.
11	26X174	Screw 5/16"X3/8" Type B
12	23834	Fuse Wire
13	23752	Fuse-Slow Blowing-15 Amp.
14	21064PA	Switch & Key
14A	20729	Key Only
15	21057PA	Ammeter Assembly
16	21686PA	Light Switch
17	23883	Wiring Harness
18	23785	Battery Wire - Short
*	23857	Bushing
*	21980	Wire Clamp

* Not Illustrated.