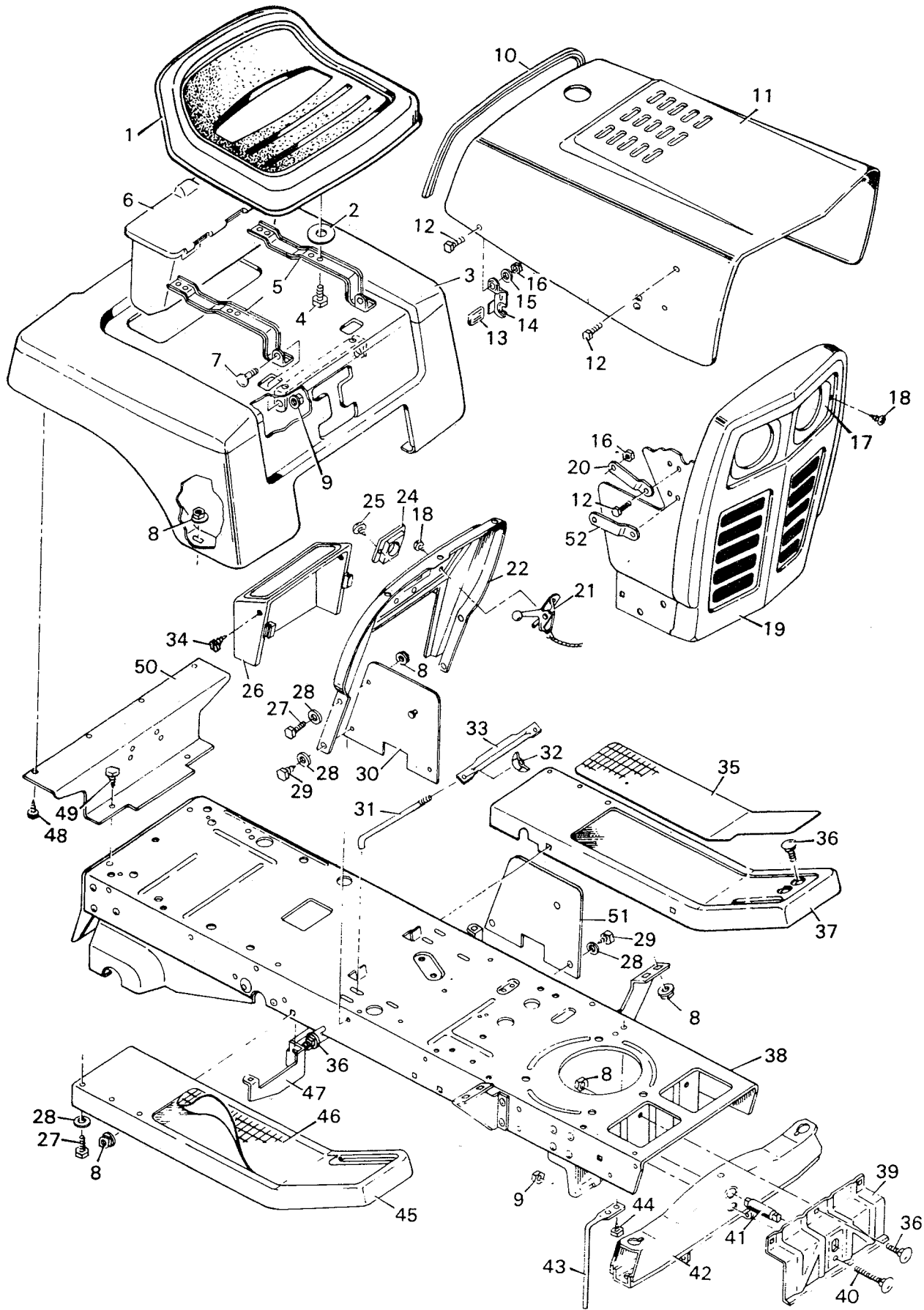


MODEL 9-3697

BODY SECTION



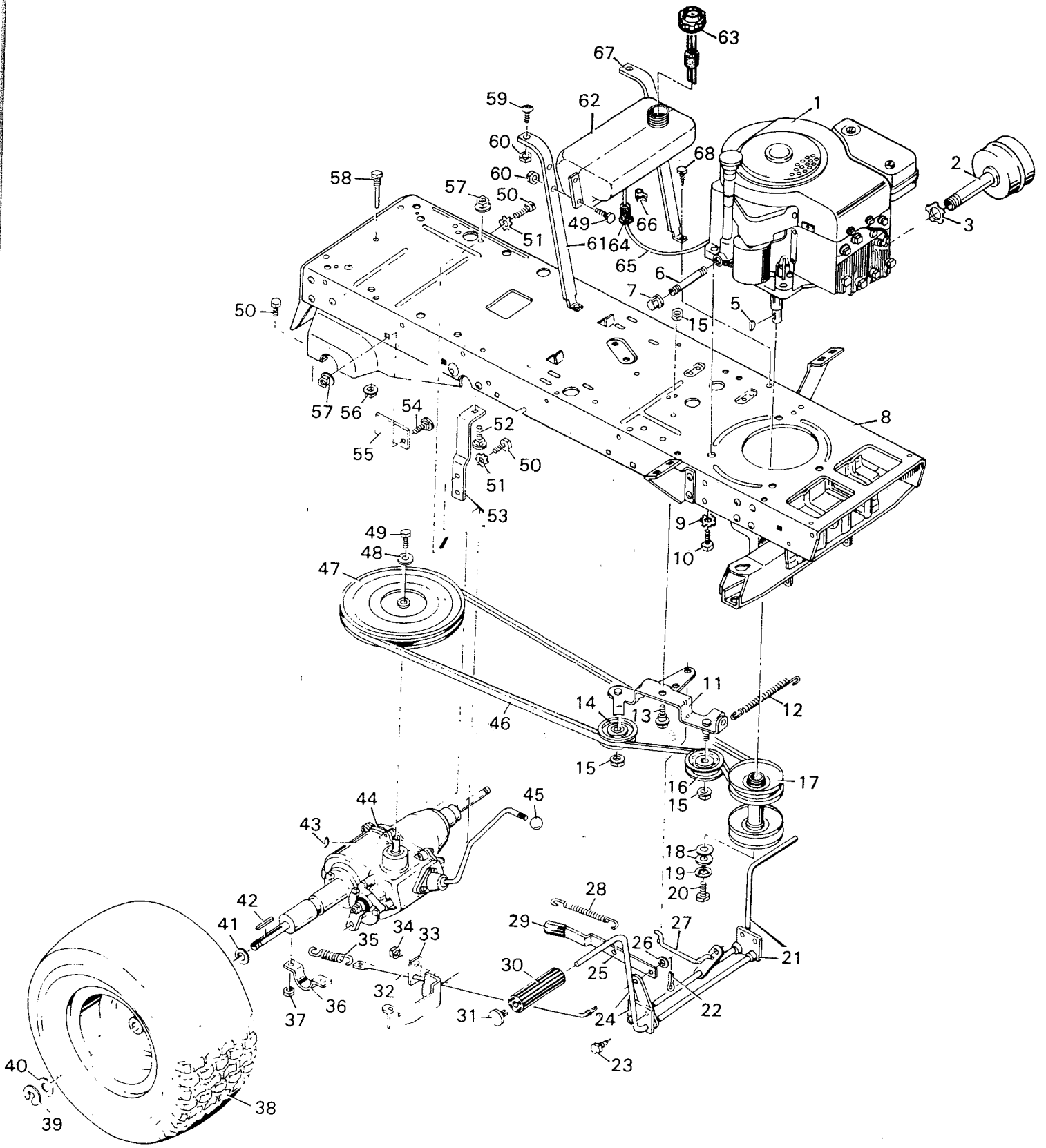
**MODEL 9-3697**

Key No.	Part No.	Description	Key No.	Part No.	Description
1	23884	Seat	27	1X45Z	Bolt 5/16''-18X5/8''
2	20094Z	Washer	28	17X47Z	Washer I.D. 11/32''
3	23338	Rear Shroud Assembly	29	26X197	Screw
4	1X84Z	Bolt 5/16''-18X1	30	23292	Side Plate - R.H.
5	23110Z	Seat Hinge	31	21762Z	Battery Clamp Rod
6	21404	Tool Box	32	14X81	Wing Nut
7	9X15	Shoulder Screw	33	21761Z	Battery Clamp
8	15X79Z	Hex Locknut 5/16''-18	34	26X195	Screw
9	15X84Z	Flange Locknut 3/8''-16	35	21569	Rubber Matt - L.H.
10	21765	Edge Trim	36	2X53	Carriage Bolt 5/16''-18X5/8''
11	23913	Hood Assembly	37	21933	Running Board L.H.
12	4X24Z	Screw 1/4''-20X 1/2''	38	403034	Frame Assembly
13	21434	Grip	39	21534	Front Axle Hanger
14	403040	Hood Latch - R.H.	40	2X60	Carriage Bolt 3/8''-16X3''
---	403041	Hood Latch - L.H.	41	21469	Pivot Pin
15	17X17Z	Washer I.D. 13/64''	42	21441	Front Axle Assembly
16	15X81	Hex Nut # 10-24	43	23146Z	Belt Guide
17	23302C	Grill Insert	44	26X49	Screw
18	26X159	Screw # 8X3/8''	45	21932	Running Board - R.H.
19	23307	Grill Assembly	46	21568	Rubber Mat - R.H.
20	23046	Pivot Bar	47	21536	Running Board Support R.H.
21	24011PA	Remote Control	---	21537	Running Board Support L.H.
22	23970	Control Panel	48	26X185	Screw
23	26X202	Screw 3/8''X5/8''	49	26X174	Screw
24	21707	Steering Post Bearing	50	21411	Rear Shroud Support
25	26X186	Screw	51	23293	Side Plate - L.H.
26	23940	Battery Cover	52	23088	Pivot Bar



**MODEL 9-3697**

Key No.	Part No.	Description
1	21688	Steering Wheel
2	21303	Steering Wheel Cap
3	15X76	Keys Nut 5/16"-18
4	1X75	Bolt 5/16"-18X1 3/4"
5	21486C	Steering Post
6	1X45	Screw 5/16"-18X7/8"
7	21493	Steering Gear & Coupling Assembly
8	15X84	Locknut 3/8"-16
9	20587	Bearing
10	21692	Steering Arm Gear & Bracket Assembly
11	9X12	Shoulder Bolt
12	15X87Z	Locknut 3/8"-24
13	21031	Ball Joint
14	15X61	Hex Nut 3/8"-24
15	21482	Drag Link Rod
16	30X49	Cotter Pin 1 1/4"
17	17X83Z	Washer
18	23820	Spindle Bearings
19	24045	Spindle Assembly L.H.
20	21475	Tie Rod Assembly
21	24044	Spindle Assembly R.H.
22	21527	Wheel & Tire
	403000	Rim Only
	403001	Tire Only
	400162	Valve Stem & Cap
23	403010	Front Wheel Bearing
24	15X43	Locknut 5/16"-18
25	15X79Z	Flange Nuts 5/16-18
26	21693	Steering Bracket
27	1X45	Bolt 5/16"-18X5/8"
28	17X115	Washer
	23273	Parts Bag Assembly



**MODEL 9-3697**

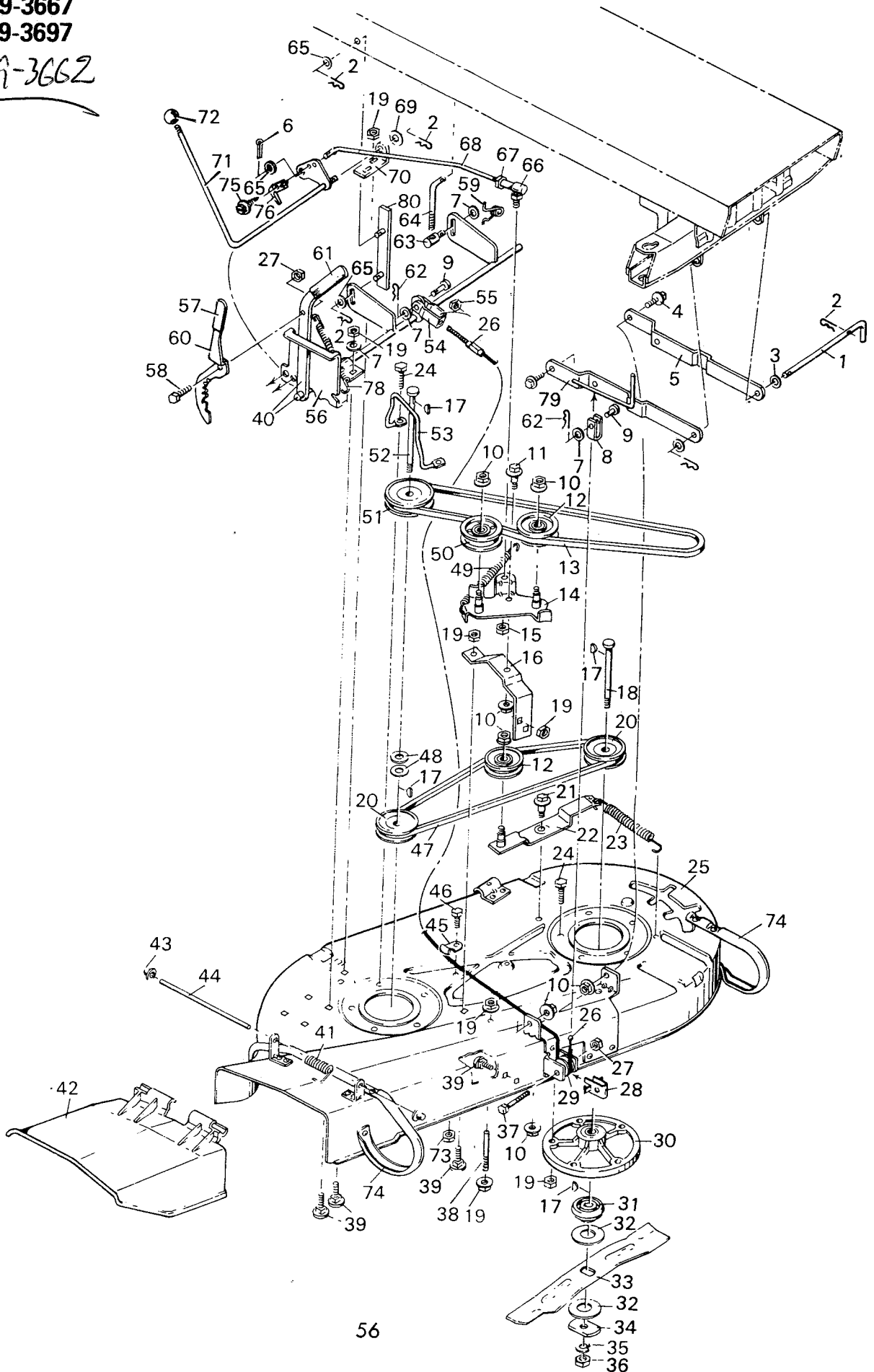
Key No.	Part No.	Description	Key No.	Part No.	Description
1	-----	Engine	38	21526	Wheel & Tire
2	23343	Muffler	---	403004	Wheel Only
3	21616	Pipe Lock Nut	---	403005	Tire Only
5	20062	Woodruff Key # 6	---	400162	Valve Stem & Cap
6	21652	Oil Drain Extension	39	11X3	E-Ring
7	21651	Oil Drain Cap	40	17X115	Washer
8	403034	Frame Assembly	41	21521	Transaxle Washer
9	19X8	Shakeproof Washer	42	21553	Square Key
10	20103	Engine Bolt	43	21539	Woodruff Key # 61
11	21428	Idler Bracket & Stud Assembly	44	-----	Transaxle - 3-Speed#
12	23724	Drive Idler Spring	45	20844	Shift Knob
13	9X12	Shoulder Bolt	46	21615	Drive Belt
14	20613	Clutch Idler Pulley	47	21447	Input Pulley
15	15X84Z	Flange Locknut 3/8" -16	48	18X30	Spring Lockwasher
16	21409	Clutch Idler Pulley	49	1X38Z	Bolt 1/4"-20X5/8"
17	21415Z	Stack Pulley Assembly	50	1X84Z	Bolt
18	10851Z	Washer	51	18X15	Lockwasher
19	19X39	Shakeproof Washer	52	2X57	Carriage Bolt
20	1X20	Bolt	53	21440Z	Transaxle Support Bracket
21	21976	Clutch & Lever Assembly	54	2X56	Carriage Bolt
22	30X20	Cotter Pin	55	21683	Belt Guide
23	26X174	Screw	56	15X79	Flange Nut
24	21946	Brake Lever Assembly	57	15X68	Flange Nut
25	21484Z	Parking Brake Arm	58	20619	Guide Screw
26	17X47Z	Washer	59	2X67	Carriage Bolt
27	21681	Clutch Link Rod	60	15X89	Flange Locknut 1/4"-20
28	20682	Parking Brake Spring	61	23910	Gas Tank Support - RH
29	21434	Grip	62	23300	Gas Tank
30	21544	Clutch & Brake Pedal	63	24064	Gas Cap
31	21535	Push On Cap	64	23712	Filter
32	21472Z	Brake Rod	65	23715	Fuel Line
33	21678Z	Brake Rod Support	66	23713	Hose Clamp
34	26X185	Screw	67	23911	Gas Tank Support - LH
35	21675	Tension Spring	68	26X197	Screw
36	21473	Transaxle Clamp	*	21268	Grommet
37	15X88Z	Flange Locknut .31-18			

# Note: Complete illustration of transaxle shown on pages 94 &amp; 95.

MODEL 9-3653  
MODEL 9-3666  
MODEL 9-3667  
MODEL 9-3697

### 36" BLADE HOUSING

9-3662



**MODEL 9-3653**  
**MODEL 9-3662**  
**MODEL 9-3666**  
**MODEL 9-3667**  
**MODEL 9-3697**

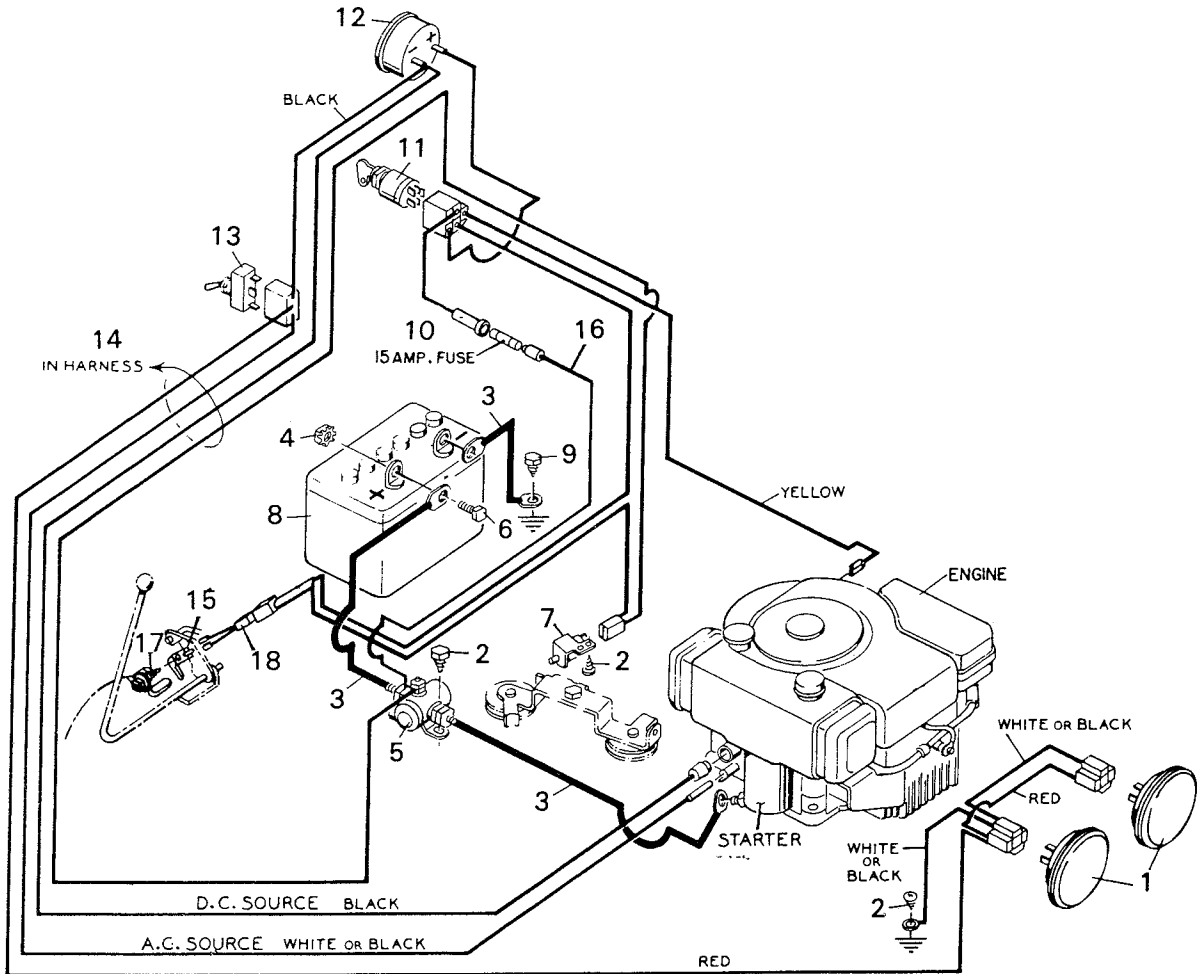
404036

**PARTS LIST** *DECK ASSY*

Key No.	Part No.	Description	Key No.	Part No.	Description
1	21912Z	Pull Pin	41	21189	Torsion Spring
2	20692	Cotter Hair Pin	42	21154	Chute Deflector
3	17X57Z	Washer	43	28X23	Push-On-Cap
4	9X14	Shoulder Bolt	44	21198Z	Deflector Rod
5	21911	Support Arm L.H.	45	21953Z	Cable Guide
6	30X20	Cotter Pins	46	1X38Z	Bolt ¼"-20X5/8"
7	17X47Z	Washer	47	20557	Cross Drive Belt
8	24073Z	Clevis	48	17X87Z	Washers
9	29X93	Clevis Pin	49	24074	Idler Spring
10	15X84Z	Flange Locknut 3/8"-16	50	21409	Idler Pulley
11	9X12	Shoulder Bolt 3/8"-16X7/8"	51	21096	Jackshaft Pulley
12	20613	Idler Pulley	52	21024	Jackshaft - Long
13	21649	Blade Drive Belt	53	21504Z	Belt Guide
14	21503	Blade Drive Idler Assembly	54	21915Z	Adjusting Clevis
15	15X77	Locknut 3/8"-24	55	15X2	Hex Nut 5/16"-18
16	21496	Idler Support Bracket	56	21500	Lifter Bracket
17	20062	Woodruff Key # 6	57	20476	Lifter Latch Grip
18	20616	Jackshaft - Short	58	6X46	Shoulder Screw
19	15X88	Flange Locknut 5/16"-18	59	23139	Torsion Spring
20	21022	Jackshaft Pulley	60	21591Z	Lifter Latch
21	9X15	Shoulder Bolt	61	21249	Lifter Grip
22	21139Z	Twin Blade Idler Bracket Assembly	62	20692	Cotter Hair Pin
23	20682	Cross Drive Idler Spring	63	21920	Adjusting Nut
24	1X84Z	Bolt 5/16"-18X11"	64	23704Z	Adjusting Rod
25	21907	Blade Housing	65	17X53Z	Washer
26	21913	Lifter Cable	66	21031	Ball Joint
27	15X67	Hex Nut ¼"-20	67	15X61	Hex Nut 3/8"-24
28	21917Z	Cable Guide	68	21517	Link Rod
29	21916	Nylon Pulley	69	17X67Z	Washer
30	20551	Jackshaft Housing Assembly	70	20934	Scissors Bracket R.H.
31	20617	Blade Adapter	71	23915C	Blade Drive Lever Assembly
32	21673Z	Washer	72	20739	Lever Knob
33	20930	Blade	73	15X66	Hex Nut ¼"-20
34	20663Z	Blade Washer	74	404015	Skid Set
35	18X27	Lockwasher	75	26X211	Screw # 10X1" Type AB
36	15X72	Hex Nut ½"-20	76	24527	Limit Switch
37	1X90	Bolt ¼"-20X1 ¾"	78	20682	Lifter Latch Spring
38	23169	Belt Guide	79	23256	Support Arm Assembly R.H.
39	2X53	Carriage Bolt	80	23705Z	Hanger Bracket Assembly
40	21906	Lifter Assembly			



**MODEL 9-3666  
MODEL 9-3667  
MODEL 9-3697  
WIRING HARNESS**



Key No.	Part No.	Description
1	20837	Seal Beam Light
2	26X185	Screw
3	21263	Battery Cable
4	15X66	Keps Nut
5	21261	Solenoid
6	1X38Z	Bolt 1/4"-20
7	21549	Limit Switch - Clutch
8	21075	Battery
*	21079	Electrolyte
9	26X174	Screw
10	23752	Fuse 15 Amp.
11	21064PA	Switch & Key
12	21057PA	Ammeter Assembly
13	21686PA	Light Switch
14	23992	Wiring Harness
15	24527	Limit Switch - Blade Housing
16	23834	Fuse Wire
17	26X211	Screw
18	23984	Jumper Wire
	20729	Key Only

\* Not Illustrated