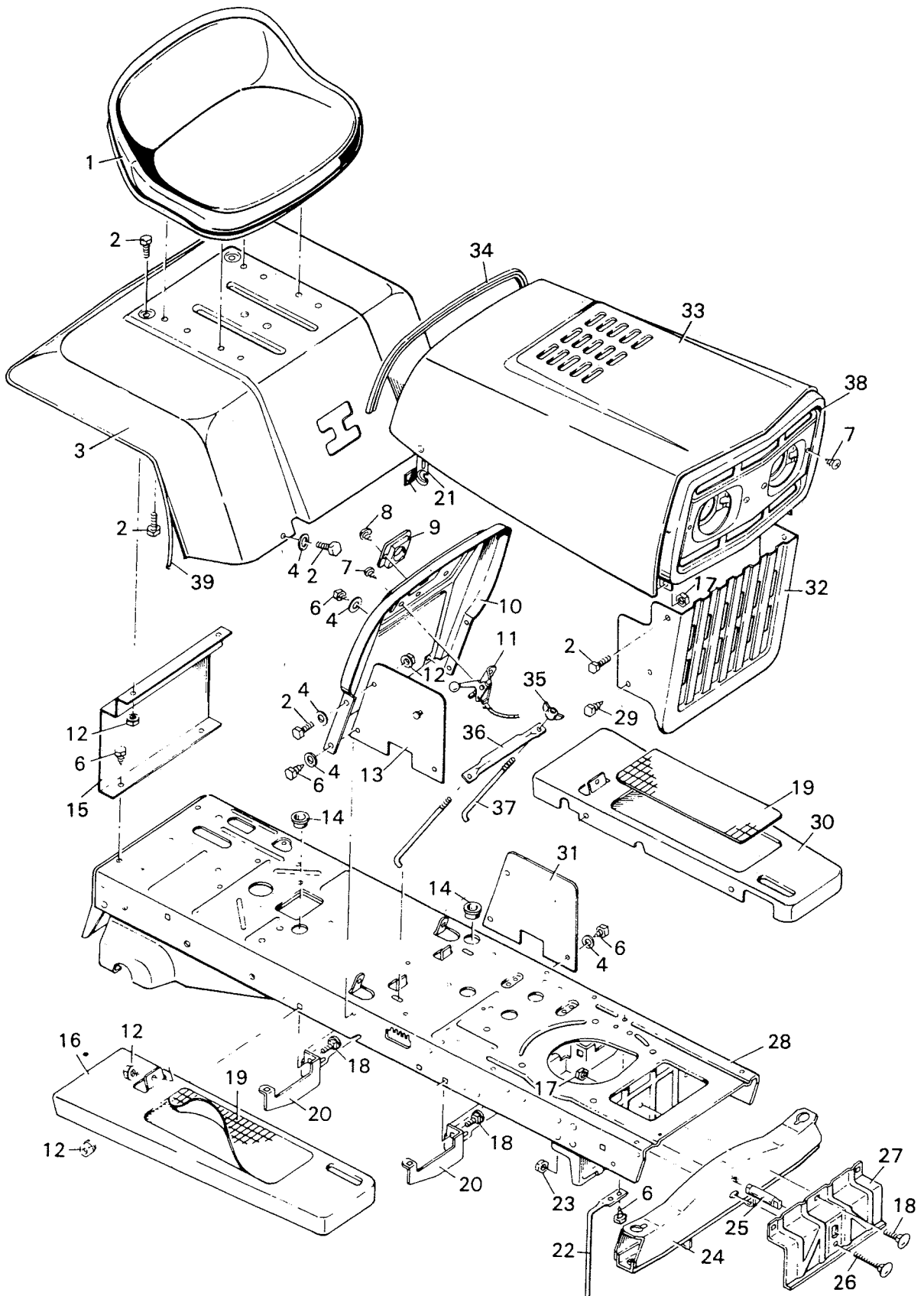


MODEL 9-3666
MODEL 9-3667

BODY SECTION

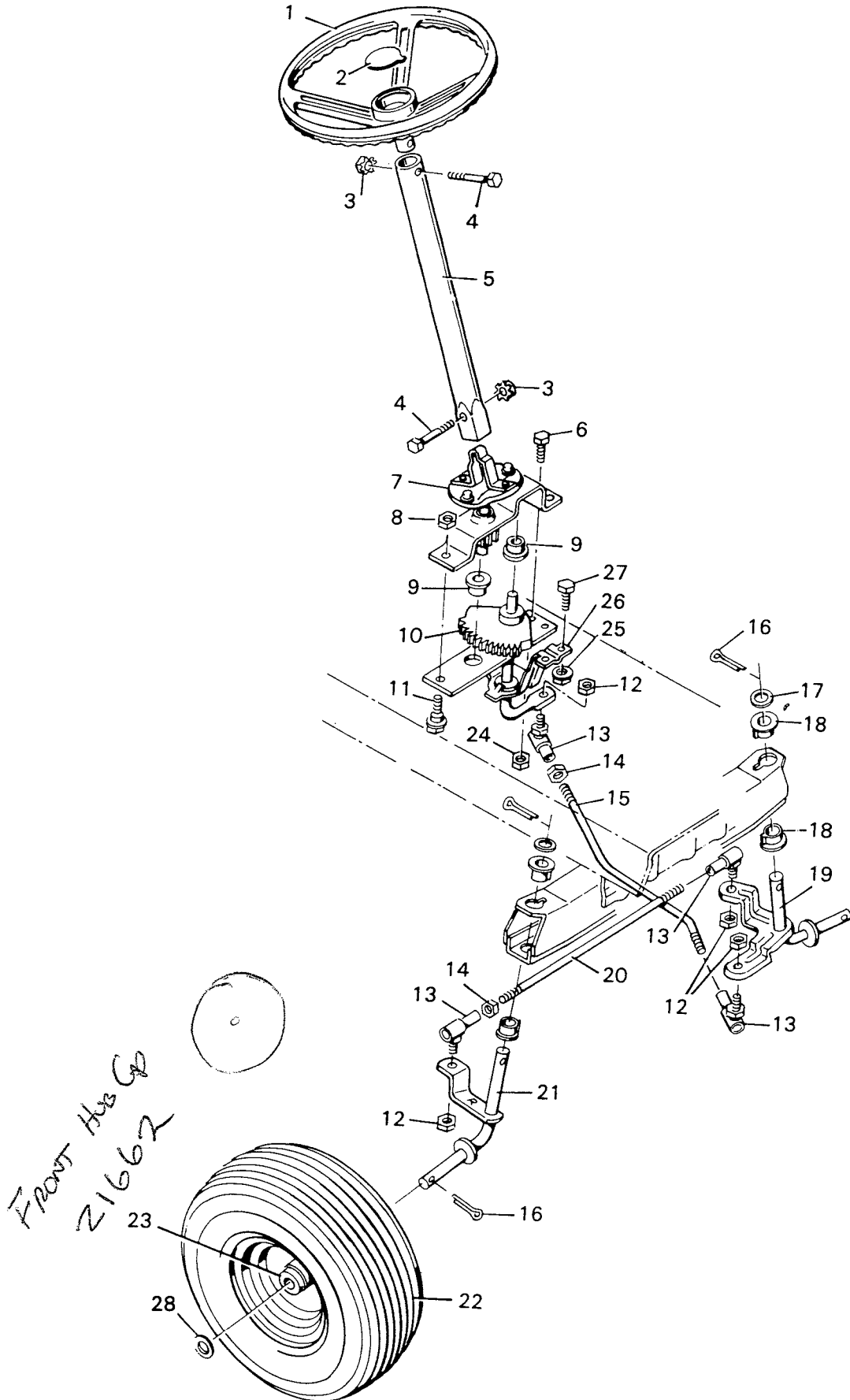


MODEL 9-3666
MODEL 9-3667

Key No.	Part No.	Description
1	23884	Seat (used on model 3667)
	21970	Seat (used on model 3666)
2	1X45Z	Bolt 5/16"-18X5/8"
3	23325	Rear Shroud
4	17X47Z	Washer
5	21434	Grip
6	26X197	Screw 5/16"X5/8" Type B
7	26X159	Screw # 8X3/8" Type A
8	26X186	Screw # 10X 1/2" Type AB
9	21707	Steering Post Bearing
10	23299	Control Panel
11	24011PA	Remote Control
12	15X79Z	Flange Nut 5/16"-18
13	21792	Side Plate R.H.
14	21268	Grommet
15	21714	Rear Shroud Support
16	21934	Running Board R.H.
17	15X79	Locknut 5/16"-18
18	2X53	Carriage Bolt 5/16"-18X5/8"
19	21710	Rubber Mat
20	21547	Running Board Support
21	403040	Hood Latch R.H.
---	403041	Hood Latch L.H.
22	23146Z	Belt Guide
23	15X84Z	Locknut 3/8"-16
24	21441	Front Axle Assembly
25	21469	Pivot Pin
26	2X60	Carriage Bolt 3/8"-16X3"
27	21534	Front Axle Hanger
28	403026	Frame Assembly
29	26X202	Screw 3/8"X5/8"
30	21935	Running Board L.H.
31	21793	Side Plate L.H.
32	21713	Lower Grill
33	21794	Hood Assembly
34	21765	Edge Trim
35	14X81	Wing Nut
36	21761Z	Battery Clamp
37	21762Z	Battery Clamp Rod
38	400201	Upper Grill w/Light
39	21789	Edge Trim

MODEL 9-3666
MODEL 9-3667

STEERING SECTION



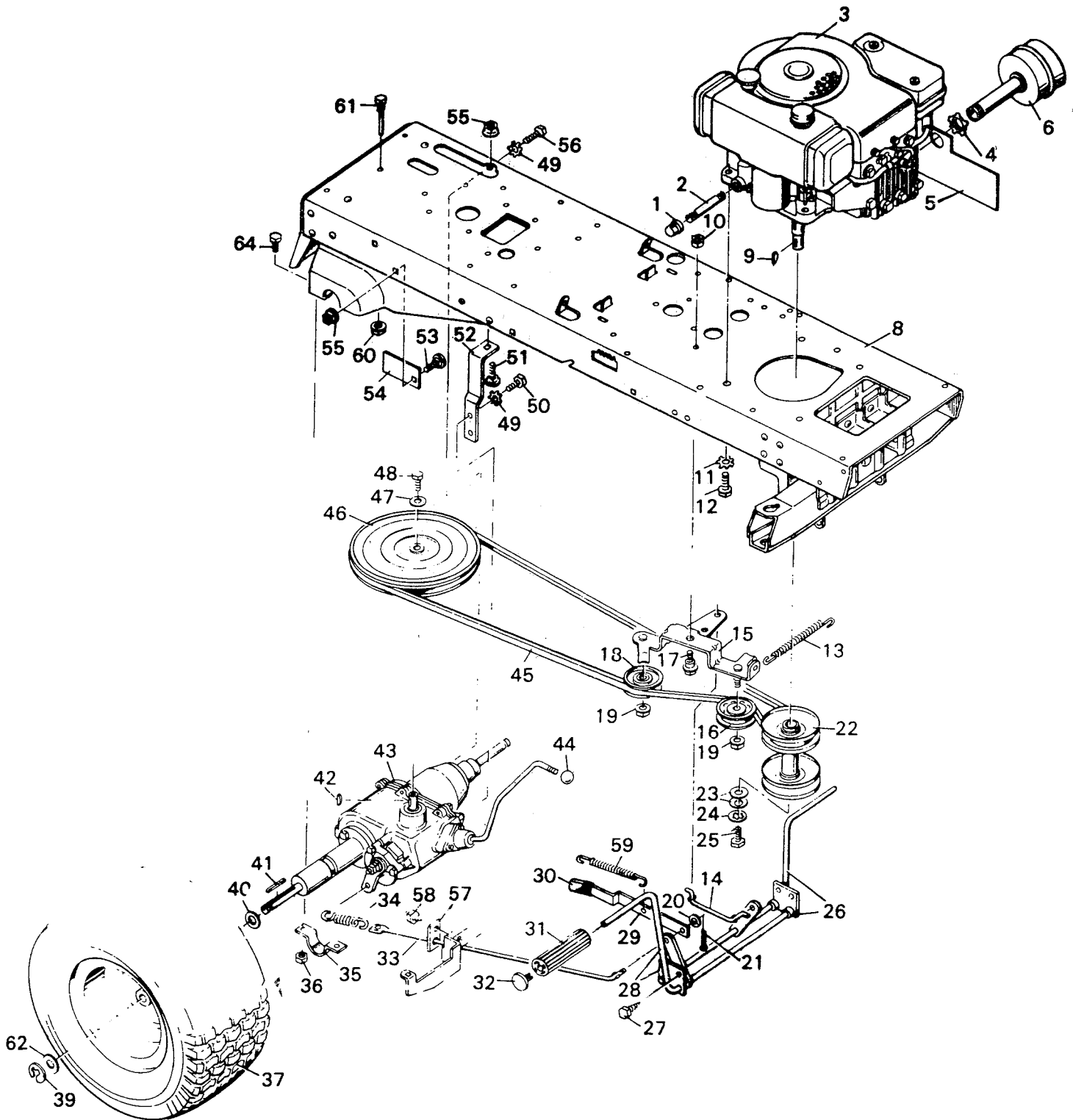
MODEL 9-3666
MODEL 9-3667

Key No.	Part No.	Description
1	21688	Steering Wheel
2	21303	Steering Wheel Cap
3	15X76	Keys Nut 5/16"-18
4	1X75	Bolt 5/16"-18X1 3/4"
5	21486C	Steering Post
6	1X45	Screw 5/16"-18X7/8"
7	21493	Steering Gear & Coupling Assembly
8	15X84	Locknut 3/8"-16
9	20587	Bearing
10	21692	Steering Arm Gear & Bracket Assembly
11	9X12	Shoulder Bolt
12	15X77	Locknut 3/8"-24
13	21031	Ball Joint
14	15X61	Hex Nut 3/8"-24
15	21482	Drag Link Rod
16	30X49	Cotter Pin 1 1/4"
17	17X83Z	Washer
18	23820	Spindle Bearings
19	24045	Spindle Assembly L.H.
20	21475	Tie Rod Assembly
21	24044	Spindle Assembly R.H.
22	21527	Wheel & Tire Assembly
	403000	Rim Only
	403001	Tire Only
	400162	Valve Stem & Cap
23	403010	Front Wheel Bearing
24	15X43	Locknut 5/16"-18
25	15X79	Flange Nuts 5/16"-18
26	21693	Steering Bracket
27	1X45	Bolt 5/16"-18X5/8"
28	17X115	Washer
	21662	Hub Cap
	21747	Parts Bag Assembly

← may use 403055

MODEL 9-3666
MODEL 9-3667

DRIVE SECTION



MODEL 9-3666
MODEL 9-3667

Key No.	Part No.	Description	Key No.	Part No.	Description
1	21651	Cap	34	21675	Spring
2	21749	Oil Drain Extension	35	21473	Transaxle Clamp
3	-----	Engine†	36	15X88	Locknut 5/16"-18
4	21616	Lock Nut	37	21526	Wheel & Tire
5	N-A	Heat Shield		403004	Wheel Only
6	23343	Muffler (11 hp.)		403005	Tire 18X9.50-8
6A	-----	Muffler (8 hp.)†		400162	Valve Stem & Cap
8	403026	Frame Assembly	39	11X3	E-Ring
9	20062	Woodruff Key # 6	40	21521	Washer
10	15X84Z	Locknut 3/8"-16	41	21553	Square Key
11	19X8	Lock Washer	42	21539	Woodruff Key
12	20103	Engine Bolt 3/8"-16X1"	43	-----	Transaxle #
13	23724	Drive Idler Spring	44	20844	Knob
14	21681	Clutch Link Rod	45	21615	Drive Belt
15	21428	Idler Bracket & Stud Assembly	46	21447	Input Pulley
16	21409	Idler Pulley	47	18X30	Lockwasher
17	9X12	Shoulder Bolt 3/8"-16X7/8"	48	1X38Z	Bolt 1/4"-20X5/8"
18	20613	Idler Pulley	49	18X15	Lock Washer
19	15X84Z	Flange Locknut 3/8"-16	50	1X84Z	Bolt 5/16"-18X1"
20	17X47Z	Washer	51	2X57	Carriage Bolt 3/8"-16X7/8"
21	30X20	Cotter Pin 3/4"	52	21440Z	Transaxle Support Bracket
22	21415Z	Stack Pulley	53	2X56	Carriage Bolt 3/8"-16X3/4"
23	10851Z	Washer	54	21683	Belt Guide
24	19X39	Shakeproof Washer	55	15X68	Locknut 3/8"-16
25	1X20	Bolt 3/8"-24X1"	56	1X84	Bolt 5/16"-18X1"
26	21951	Clutch Lever Assembly	57	21678Z	Brake Rod Support
27	26X174	Screw	58	26X185	Screw # 10X1/2" Type AB
28	21948	Brake Lever Assembly	59	20682	Spring
29	21484Z	Parking Brake Arm	60	15X79	Locknut
30	21434	Grip	61	20619	Belt Guide
31	21544	Pedal	62	17X115	Washer
32	21535	Cap	64	1X91	Bolt 5/16"-18X3/4"
33	21472Z	Brake Rod			

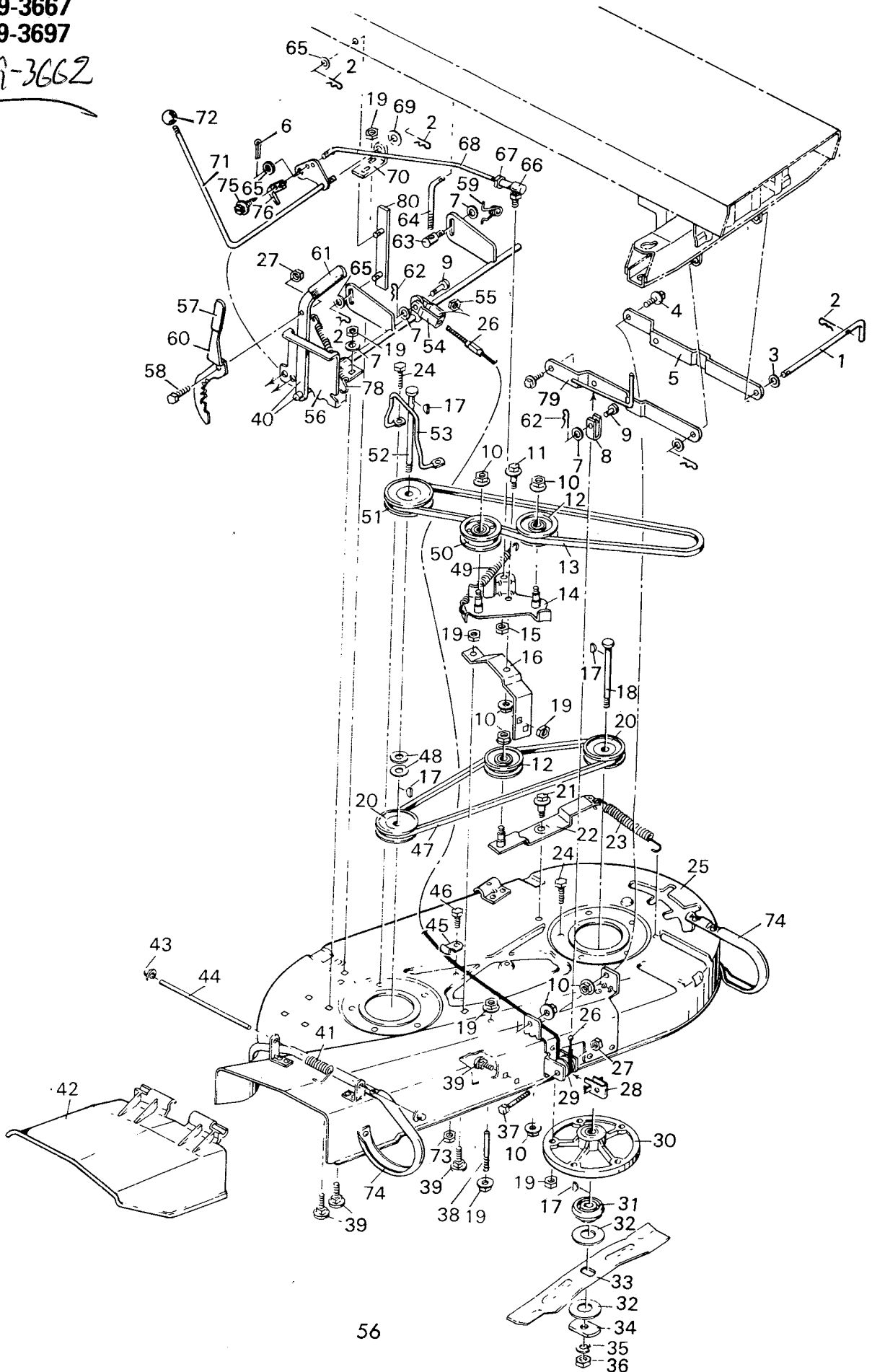
† NOTE: Available from Engine Manufacturer.

NOTE: Complete illustration of transaxle shown on pages 94 & 95.

MODEL 9-3653
MODEL 9-3666
MODEL 9-3667
MODEL 9-3697

36" BLADE HOUSING

9-3662



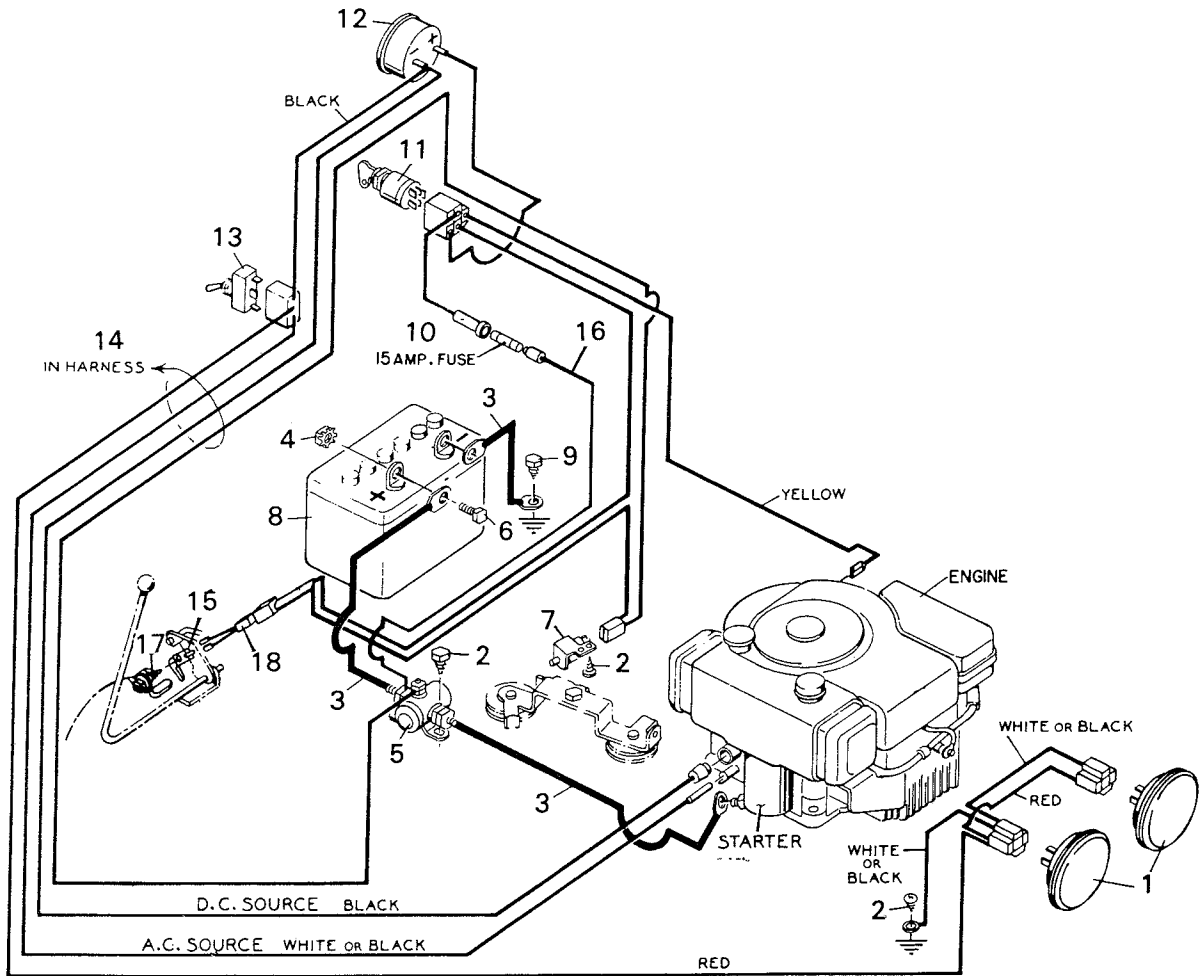
MODEL 9-3653
MODEL 9-3662
MODEL 9-3666
MODEL 9-3667
MODEL 9-3697

404036

PARTS LIST *DECK ASSY*

Key No.	Part No.	Description	Key No.	Part No.	Description
1	21912Z	Pull Pin	41	21189	Torsion Spring
2	20692	Cotter Hair Pin	42	21154	Chute Deflector
3	17X57Z	Washer	43	28X23	Push-On-Cap
4	9X14	Shoulder Bolt	44	21198Z	Deflector Rod
5	21911	Support Arm L.H.	45	21953Z	Cable Guide
6	30X20	Cotter Pins	46	1X38Z	Bolt 1/4"-20X5/8"
7	17X47Z	Washer	47	20557	Cross Drive Belt
8	24073Z	Clevis	48	17X87Z	Washers
9	29X93	Clevis Pin	49	24074	Idler Spring
10	15X84Z	Flange Locknut 3/8"-16	50	21409	Idler Pulley
11	9X12	Shoulder Bolt 3/8"-16X7/8"	51	21096	Jackshaft Pulley
12	20613	Idler Pulley	52	21024	Jackshaft - Long
13	21649	Blade Drive Belt	53	21504Z	Belt Guide
14	21503	Blade Drive Idler Assembly	54	21915Z	Adjusting Clevis
15	15X77	Locknut 3/8"-24	55	15X2	Hex Nut 5/16"-18
16	21496	Idler Support Bracket	56	21500	Lifter Bracket
17	20062	Woodruff Key # 6	57	20476	Lifter Latch Grip
18	20616	Jackshaft - Short	58	6X46	Shoulder Screw
19	15X88	Flange Locknut 5/16"-18	59	23139	Torsion Spring
20	21022	Jackshaft Pulley	60	21591Z	Lifter Latch
21	9X15	Shoulder Bolt	61	21249	Lifter Grip
22	21139Z	Twin Blade Idler Bracket Assembly	62	20692	Cotter Hair Pin
23	20682	Cross Drive Idler Spring	63	21920	Adjusting Nut
24	1X84Z	Bolt 5/16"-18X11"	64	23704Z	Adjusting Rod
25	21907	Blade Housing	65	17X53Z	Washer
26	21913	Lifter Cable	66	21031	Ball Joint
27	15X67	Hex Nut 1/4"-20	67	15X61	Hex Nut 3/8"-24
28	21917Z	Cable Guide	68	21517	Link Rod
29	21916	Nylon Pulley	69	17X67Z	Washer
30	20551	Jackshaft Housing Assembly	70	20934	Scissors Bracket R.H.
31	20617	Blade Adapter	71	23915C	Blade Drive Lever Assembly
32	21673Z	Washer	72	20739	Lever Knob
33	20930	Blade	73	15X66	Hex Nut 1/4"-20
34	20663Z	Blade Washer	74	404015	Skid Set
35	18X27	Lockwasher	75	26X211	Screw # 10X1" Type AB
36	15X72	Hex Nut 1/2"-20	76	24527	Limit Switch
37	1X90	Bolt 1/4"-20X1 3/4"	78	20682	Lifter Latch Spring
38	23169	Belt Guide	79	23256	Support Arm Assembly R.H.
39	2X53	Carriage Bolt	80	23705Z	Hanger Bracket Assembly
40	21906	Lifter Assembly			

**MODEL 9-3666
MODEL 9-3667
MODEL 9-3697
WIRING HARNESS**



Key No.	Part No.	Description
1	20837	Seal Beam Light
2	26X185	Screw
3	21263	Battery Cable
4	15X66	Keps Nut
5	21261	Solenoid
6	1X38Z	Bolt 1/4"-20
7	21549	Limit Switch - Clutch
8	21075	Battery
*	21079	Electrolyte
9	26X174	Screw
10	23752	Fuse 15 Amp.
11	21064PA	Switch & Key
12	21057PA	Ammeter Assembly
13	21686PA	Light Switch
14	23992	Wiring Harness
15	24527	Limit Switch - Blade Housing
16	23834	Fuse Wire
17	26X211	Screw
18	23984	Jumper Wire
	20729	Key Only

* Not Illustrated