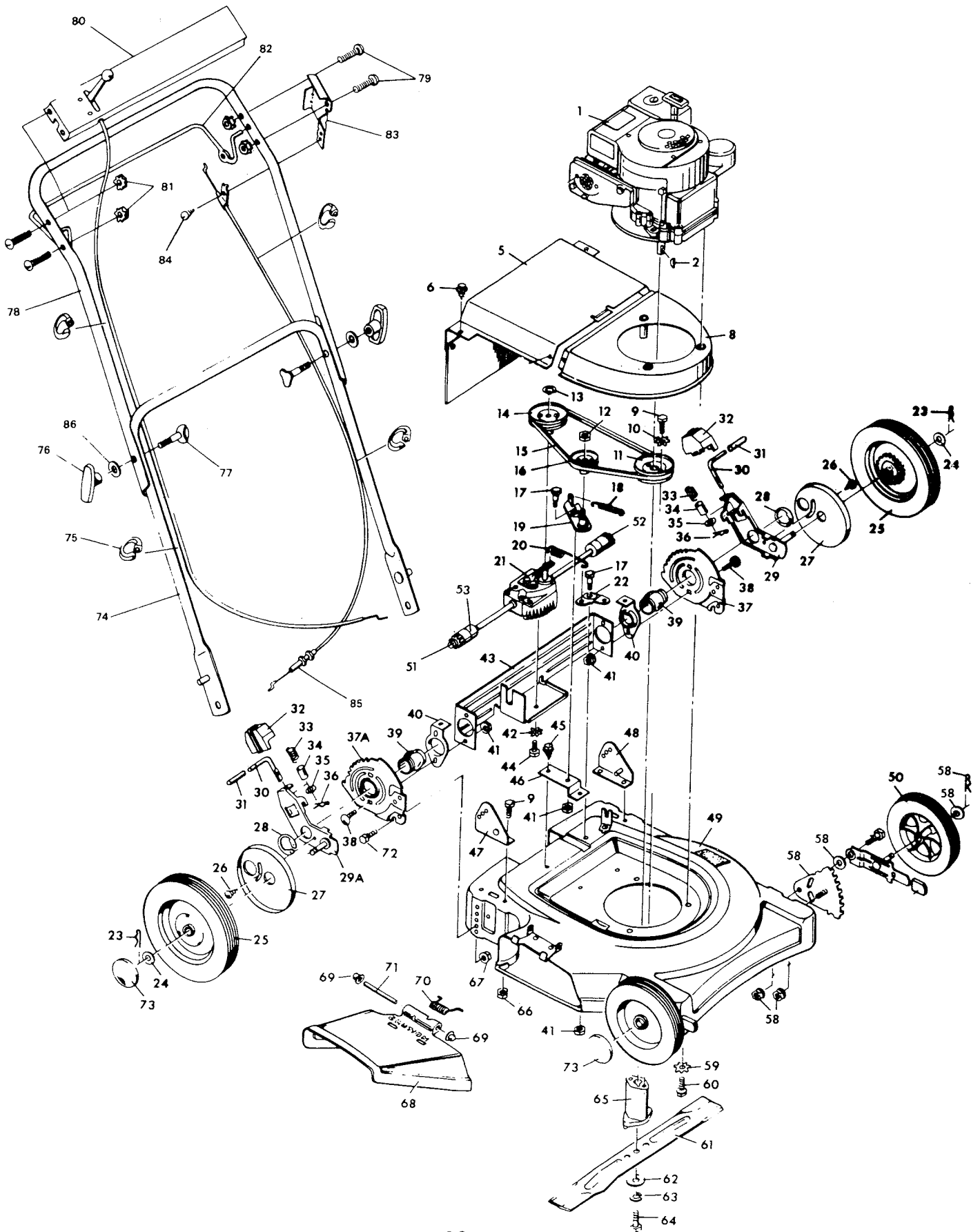


**MODEL 9-2257
MODEL 9-2267
ROTARY MOWER
22" SELF-PROPELLED**

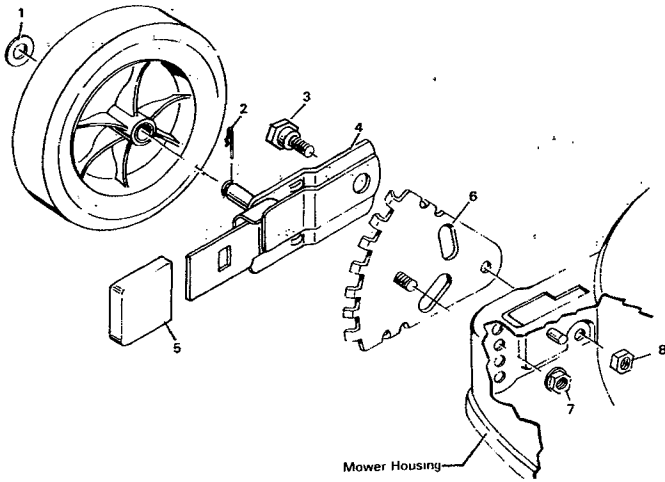


MODEL 9-2257
MODEL 9-2267

Key No.	9-2257	9-2267	Description	Key No.	9-2257	9-2267	Description
1	-----	-----	Engine	45	-----	26X159	Screw
2	20062	20062	Woodruff Key	46	-----	22662Z	Idler Assembly Mount Bracket
5	400206	400206	Transmission Cover & Rear Guard Assembly	47	22599Z	22599Z	Folding Handle Bracket L.H.
				48	22598Z	22598Z	Folding Handle Bracket R.H.
6	26X203	26X203	Screw	49	22261	22435	Housing Assembly
8	22688	22683	Engine Base & Spacer Assembly	50	20104	20104	Wheel & Tire
9	1X38Z	1X38Z	Hex Bolt	51	400207	400207	Ratchet - R.H.
10	18X30Z	18X30Z	Shakeproof Washer	52	400208	400208	Ratchet - L.H.
11	22614Z	22614Z	Engine Pulley Assembly	53	400209	400209	Ratchet Housing R. & L.
12	15X89Z	15X89Z	Hex Nut	58	400246	400246	Wheel Adjuster Assembly*
13	11X2	11X2	Retainer Ring	59	19X8	19X8	Shakeproof Washer
14	22617	22617	Transmission Pulley Assembly	60	26X205	26X206	Bolt
15	22611	22611	Drive Belt 31" Long	61	20046	20046	Blade
16	22624	22624	Idler Pulley	62	20094Z	20094Z	Washer
17	9X2Z	9X2Z	Shoulder Bolt	63	18X31	18X31	Lockwasher
18	22620	22620	Spring	64	1X101	1X101	Blade Mounting Bolt
19	22660Z	22660Z	Idler Bracket Assembly	65	22615	22615	Blade Adapter
20	22618	22618	Spring	66	15X82Z	15X82Z	Hex Nut
21	22610	22610	Transmission* *	67	15X84Z	15X84Z	Flange Nut
22	22650Z	22650Z	Control Lever	68	20454	22352	Chute Deflector
23	20101	20101	Hair Pin Cotter	69	28X42	28X42	Push-On-Cap
24	17X102Z	17X102Z	Washer	70	22052	22052	Torsion Spring
25	22713	22713	Wheel & Tire	71	22050Z	22326Z	Pivot Pin
26	26X185	26X185	Screw	72	1X85Z	1X85Z	Bolt
27	22631	22631	Dust Cover	73	22690	22690	Hub Cap
28	11X1	11X1	Retainer Ring	74	22592C	22592C	Lower Handle
28	22677Z	22677Z	Axle Bracket Assembly-L.H.	75	22550	22550	Cable Clips
29A	22676Z	22676Z	Axle Bracket Assembly-R.H.	76	20266	20266	Handle Knob
30	22670Z	22670Z	Height Adjuster Lock	77	20129Z	20129Z	Contour Bolt
31	22628	22628	Grip	78	22691C	22691C	Upper Handle
32	22679	22679	Cover	79	3X97Z	3X97Z	Bolt
33	22627	22627	Spring	80	400177	400177	Throttle Control
34	22678Z	22678Z	Spacer	81	15X66	15X66	Keys Nut
35	17X47Z	17X47Z	Washer	82	22655Z	22655Z	Clutch Lever
36	20101	20101	Hair Pin Cotter	83	22653Z	22653Z	Handle Bracket
37	22673Z	22673Z	Index Plate L.H.	84	26X185	26X185	Screw
37A	22672Z	22672Z	Index Plate R.H.	85	22648	22648	Clutch Cable
38	2X39	2X39	Bolt	86	17X46Z	17X46Z	Washer
39	22625	22625	Bearing		22728	22728	Parts Bag
40	22629Z	22629Z	Bearing Retainer		-----	22338	Engine Shroud (Not Shown)
41	15X89Z	15X89Z	Flange Nut		-----	22334	Shroud Insert (Not Shown)
42	19X4	19X4	Shakeproof Washer		-----	26X159	Tap Screw (Not Shown)
43	22668Z	22669Z	Transmission Plate		22728	22728	Parts Bag
44	1X100	1X100	Hex Bolt				

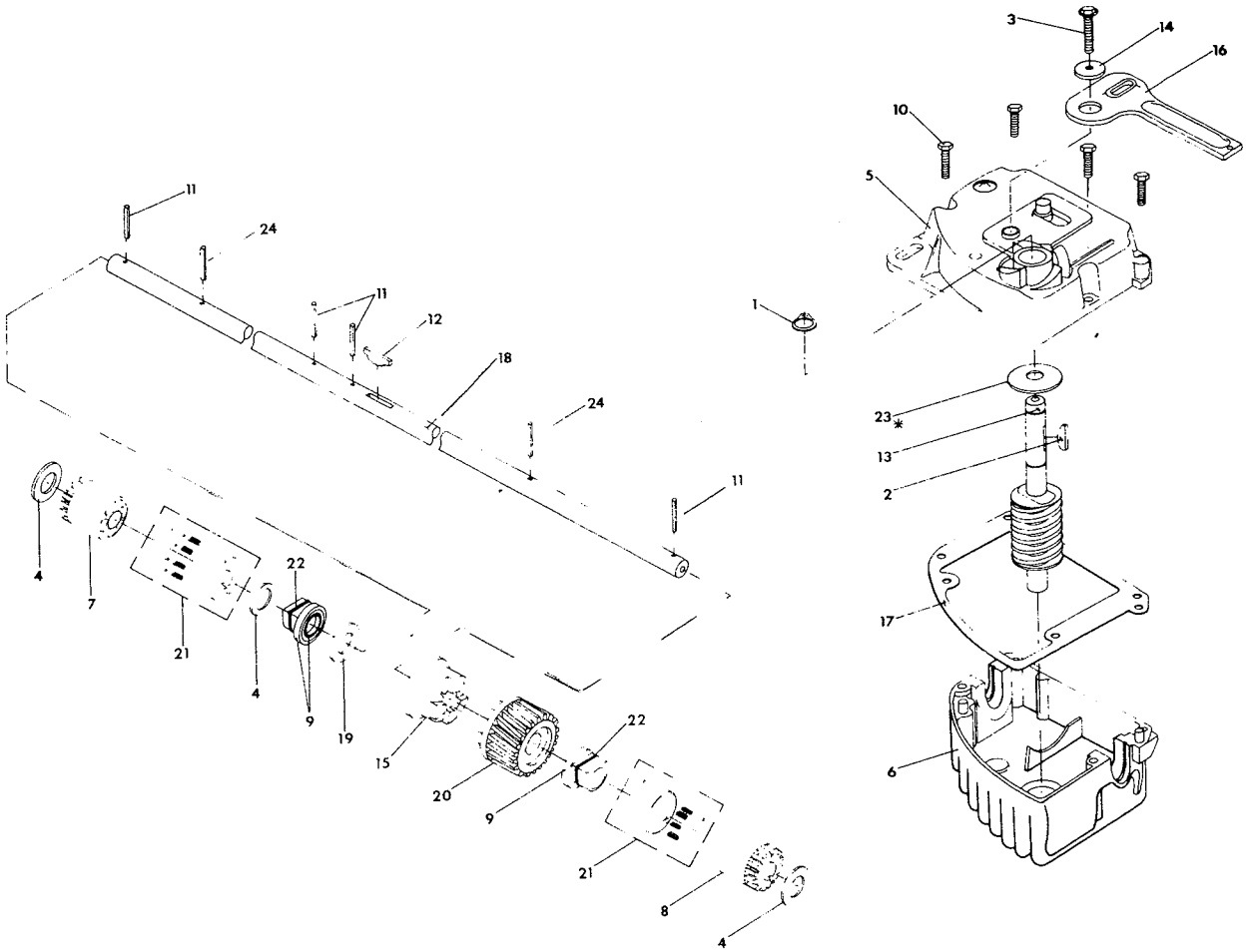
* NOTE: See page 4 for parts list for 400246 Wheel Adjuster Assembly.
* * NOTE: Complete illustration of 22610 transmission shown on page 91.

WHEEL ADJUSTING ASSEMBLY — MODEL 400246



Key No.	Model 400246 Part No.	Description
1	17X102Z	Washer
2	20101	Hair Pin Cotter
3	9X9	Shoulder Bolt
4	22956Z	Arm & Axle Assembly
5	20065	Lever Spring Knob
6	20113Z	Index Plate Assembly
7	15X68	Flange Locknut
8	15X12	Locknut
1-8	400246	Wheel Adjuster Ass'y.

**MODEL 22610 TRANSMISSION
USED ON: 9-2257 & 9-2267**



Key No.	Part No.	Description	Key No.	Part No.	Description
1	400036	Retaining Ring	14	407272	Washer
2	400055	Woodruff Key # 2	15	407273	Dog Clutch
3	407264	Screw	16	407274	Clutch Lever
4	407130	Washer (2 Per Each Application)	17	407275	Gasket
5	407265	Upper Housing Assembly	18	407276	Output Shaft (22610)
6	407266	Lower Housing Assembly	19	407277	Washer
7	400207	Ratchet - L.H.	20†	407278	Helical Gear
8	400208	Ratchet - R.H.	21	400209	Ratchet Housing Assembly
9	407267	Bearing & Seal Assembly	22	407279	Bearing Seal
10	407268	Hex Bolt	23**	407280	Washer .750X.505X.030
11	407269	Spiral Pin	23**	407277	Washer .940X.505X.030
12	407270	Hi-Pro Key	23**	407281	Washer 1.00X.505X.020
13	407271	Input Shaft - R.H.	24	407282	Spiral Pin

* * Note: Maximum usage of two (2) per assembly to maintain a maximum of .010" "End Float" in input area.

† Note: Use 50 cc. of 85 W oil on this part.