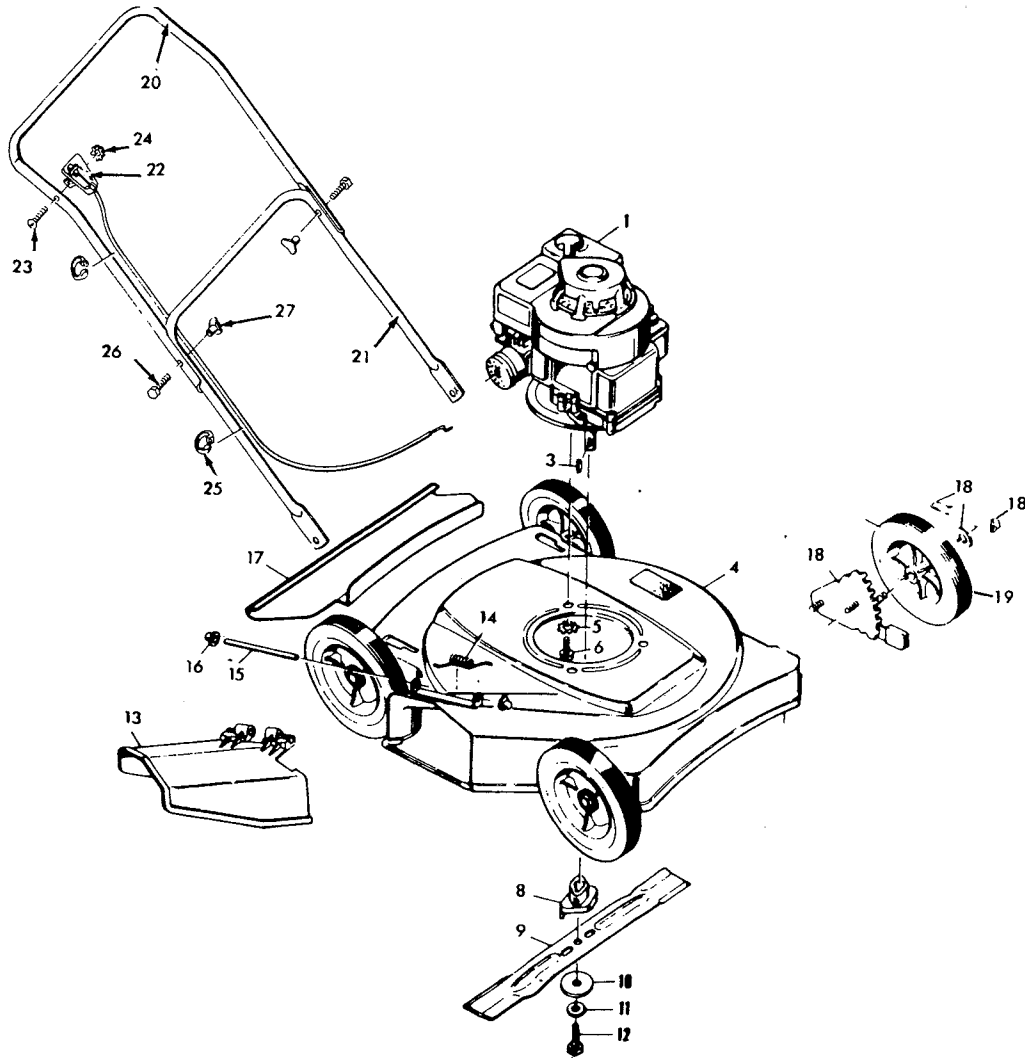


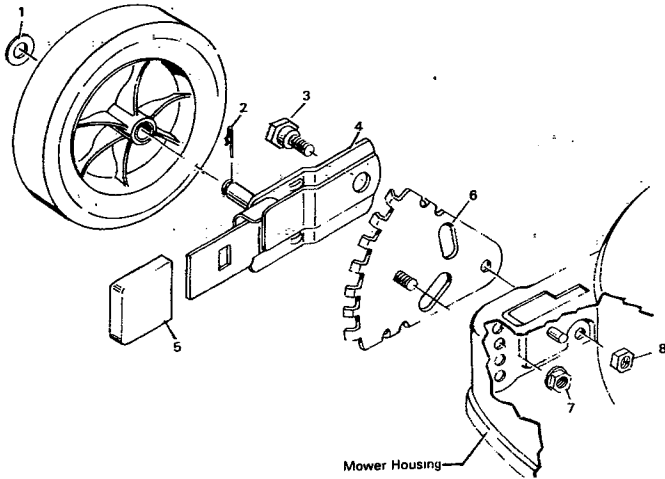
## MODEL 9-2202 22" EQUIPPED ROTARY MOWER



Key No.	Model 9-2202 Part No.	Description	Model Key No.	9-2202 Part No.	Description
1	-----	Engine	16	28X42	Push-On-Cap
3	20062	Woodruff Key	17	407018	Rear Guard
4	22076	Housing	18	400246	Wheel Adjuster*
5	19X8	Shakeproof Washer	19	20270	Wheel & Tire
6	20103	Engine Bolt	20	20437Z	Upper Handle Assembly
8	20050	Blade Adapter	21	20438Z	Lower Handle Assembly
9	20046	Blade	22	22058	Control & Cable
10	20094Z	Washer	23	3X97Z	Bolt
11	18X31	Cup Washer	24	15X66	Keps Nut
12	1X68	Blade Adapter Bolt	25	22550	Cable Clips
13	20454	Chute Deflector	26	20412	Bolt
14	22052	Torsion Spring	27	20410	T-Nut
15	22050Z	Pivot Pin		22442	Parts Bag

\* Note: See page 4 for parts list for 400246 wheel adjuster.

## WHEEL ADJUSTING ASSEMBLY — MODEL 400246



Key No.	Model 400246 Part No.	Description
1	17X102Z	Washer
2	20101	Hair Pin Cotter
3	9X9	Shoulder Bolt
4	22956Z	Arm & Axle Assembly
5	20065	Lever Spring Knob
6	20113Z	Index Plate Assembly
7	15X68	Flange Locknut
8	15X12	Locknut
1-8	400246	Wheel Adjuster Ass'y.