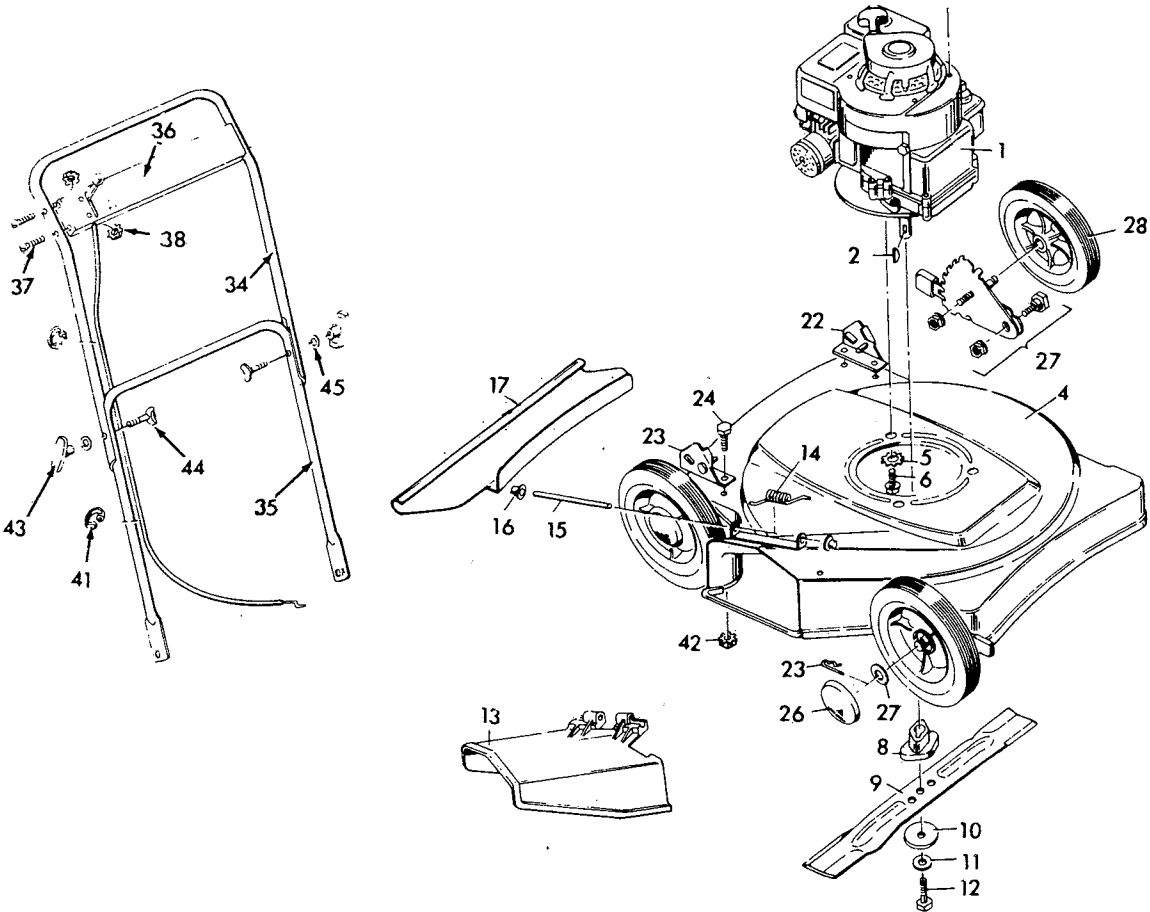


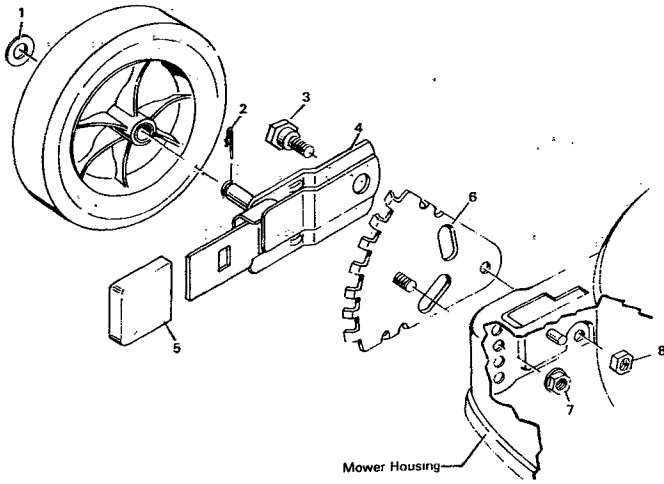
MODEL 9-2002 20" DELUXE ROTARY MOWER



Key No.	Model 9-2002 Part No.	Description	Key No.	Model 9-2002 Part No.	Description
1	-----	Engine	23	20198Z	R.H. Bracket & Weld Pin Assembly
2	20062	Woodruff Key	24	1X38Z	Hex Bolt
4	22075	Housing	26	20107	Hub Cap
5	19X8	Shakeproof Washer	27	400246	Wheel Adjuster *
6	20103	Engine Bolt	28	20106	Wheel & Tire
8	20050	Blade Adapter	34	20436Z	Upper Handle Assembly
9	20045	Blade	35	20438Z	Lower Handle Assembly
10	20094Z	Washer	36	400177	Control & Cable
11	18X31	Cup Washer	37	3X97Z	Bolt
12	1X68	Blade Adapter Bolt	38	15X66	Keeps Nuts
13	20454	Chute Deflector	41	22550	Cable Clips
14	22052	Torsion Spring	42	15X68	Stover Locknut
15	22050Z	Pivot Pin	43	20266	Handle Knob
16	28X42	Push-On-Cap	44	20129	Contour Bolt
17	407017	Rear Guard	45	17X46Z	Washer
22	20199Z	L.H. Bracket & Weld Pin Assembly		22467	Parts Bag

* Note: See page 4 for parts list for 400246 wheel adjuster assembly.

WHEEL ADJUSTING ASSEMBLY — MODEL 400246



Key No.	Model 400246 Part No.	Description
1	17X102Z	Washer
2	20101	Hair Pin Cotter
3	9X9	Shoulder Bolt
4	22956Z	Arm & Axle Assembly
5	20065	Lever Spring Knob
6	20113Z	Index Plate Assembly
7	15X68	Flange Locknut
8	15X12	Locknut
1-8	400246	Wheel Adjuster Ass'y.