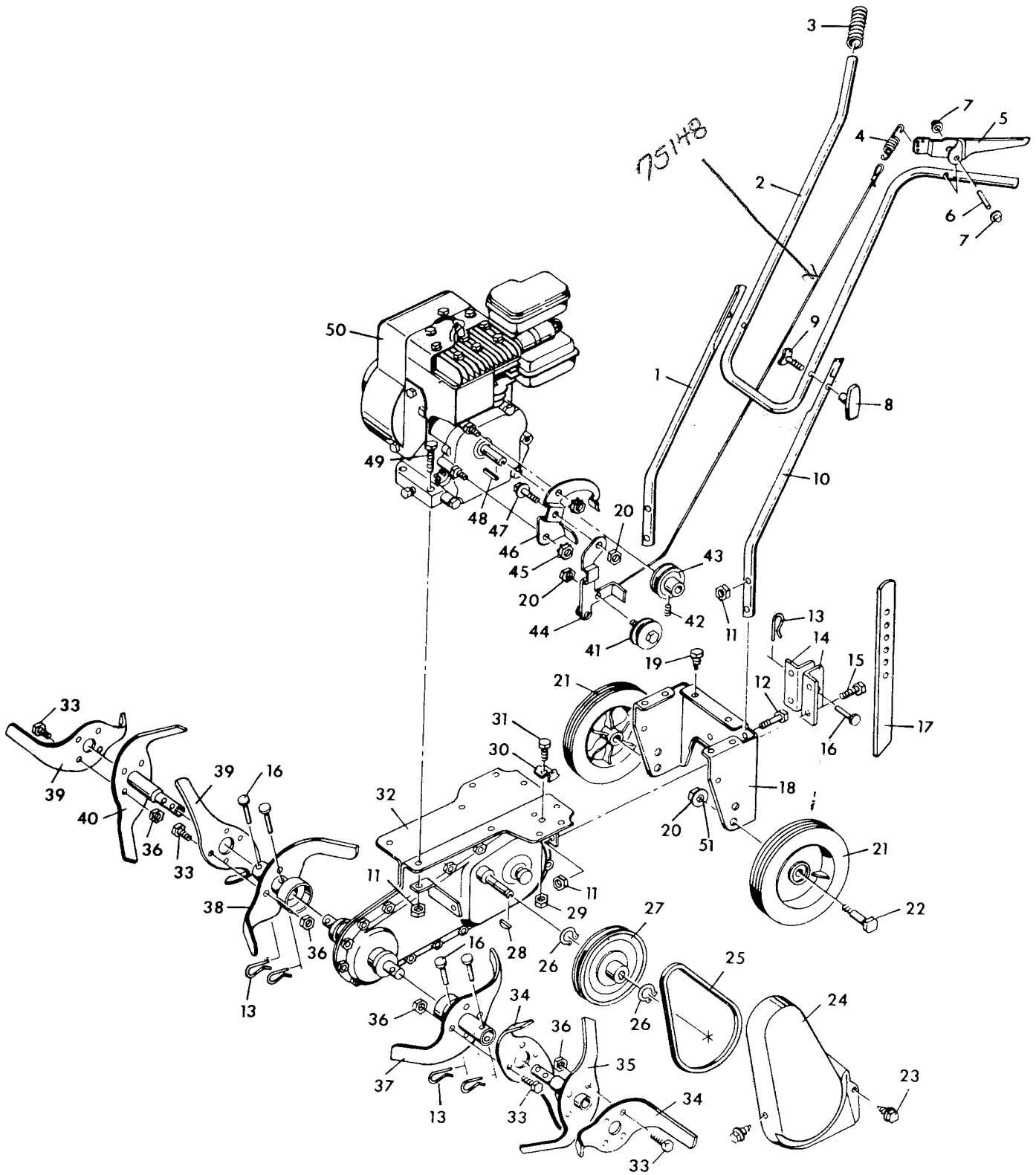


MODEL 9-1000 GARDEN TILLER

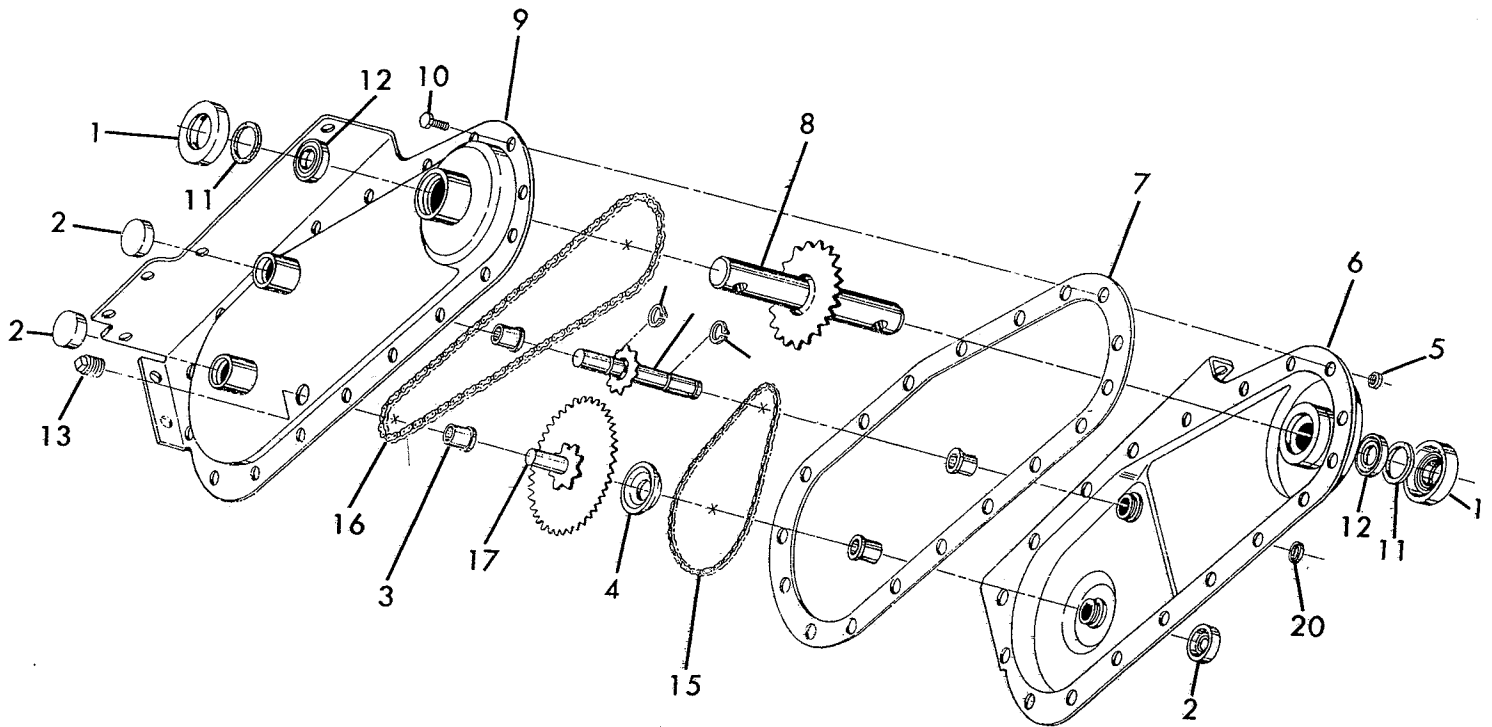


MODEL 9-1000

Key No.	Part No.	Description
1	75362C	Lower Handle R.H.
2	75350C	Upper Handle
3	20171	Grip
4	75368	Spring
5	75077Z	Clutch Lever
6	75087	Clutch Lever Pin
7	28X42	Push-On-Cap
8	20266	Handle Knob
9	20129	Handle Bolt
10	75363C	Lower Handle L.H.
11	15X88Z	Stover Nut
12	1X102	Hex Bolt
13	75336	Hair Pin
14	75348	Drag Stake Bracket
15	1X91	Hex Bolt
16	75335	Tine Bolt
17	75352	Drag Stake
18	75349	Rear Plate
19	26X49	Screw
20	15X94Z	Stover Nut
21	20104	Wheels
22	9X10	Axle Bolt
23	26X195	Screw
24	75359	Belt Guard
25	75370	Belt
26	11X7	Retainer Ring
27	20614	Pulley
28	21539	Woodruff Key
29	15X86	Stover Nut
30	21953Z	Cable Guide
31	1X38	Hex Bolt
32	75300	Transmission
33	1X96	Hex Bolt
34	75333	Tine
35	75343	Tine & Hub Assembly (L.H. Outside)
36	15X86	Stover Nut
37	75341	Tine & Hub Assembly (L.H. Inside)
38	75340	Tine & Hub Assembly (R.H. Inside)
39	75334	Tine
40	75342	Tine & Hub Assembly (R.H. Outside)
41	75367	Idler Pulley
42	23X48	Set Screw
43	75328	Pulley
44	75353	Idler Bracket Assembly
45	15X66	Keps Nut
46	75364Z	Bracket Belt Guard
47	9X15	Shoulder Screw
48	75369	Square Key
49	1X102	Hex Bolt
50	-----	Engine
51	10851Z	Washer
	75336	Parts Bag Assembly

INCLUDES
CASE

**MODEL 75300 TRANSMISSION
USED ON: 9-1000**



KEY NO.	PART NO.	DESCRIPTION
1	75014	Dust Cap (2)
2	75034	Bearing Cap
3	75326	Bearing (Upper)
4	75358	Washer (Formed)
5	15X89	Flange Locknut (18)
6	75303	L.H. Housing Assembly
7	75301	Gasket
8	75309	Tine Shaft Assembly
9	75302	R.H. Housing
10	1X38Z	Bolt
11	75013	Felt Washer
12	75209	Seal (1 inch shaft)
13	75088	Pipe Plug
15	75318	Chain (Short)
16	75320	Chain (Long)
17	75315	Sprocket Assembly
18	75312	Input Shaft
19	11X7	Retainer Ring
20	75085	Oil Seal (0.625 Shaft)
---	75325	Tine Shaft Bearing (Not Shown)