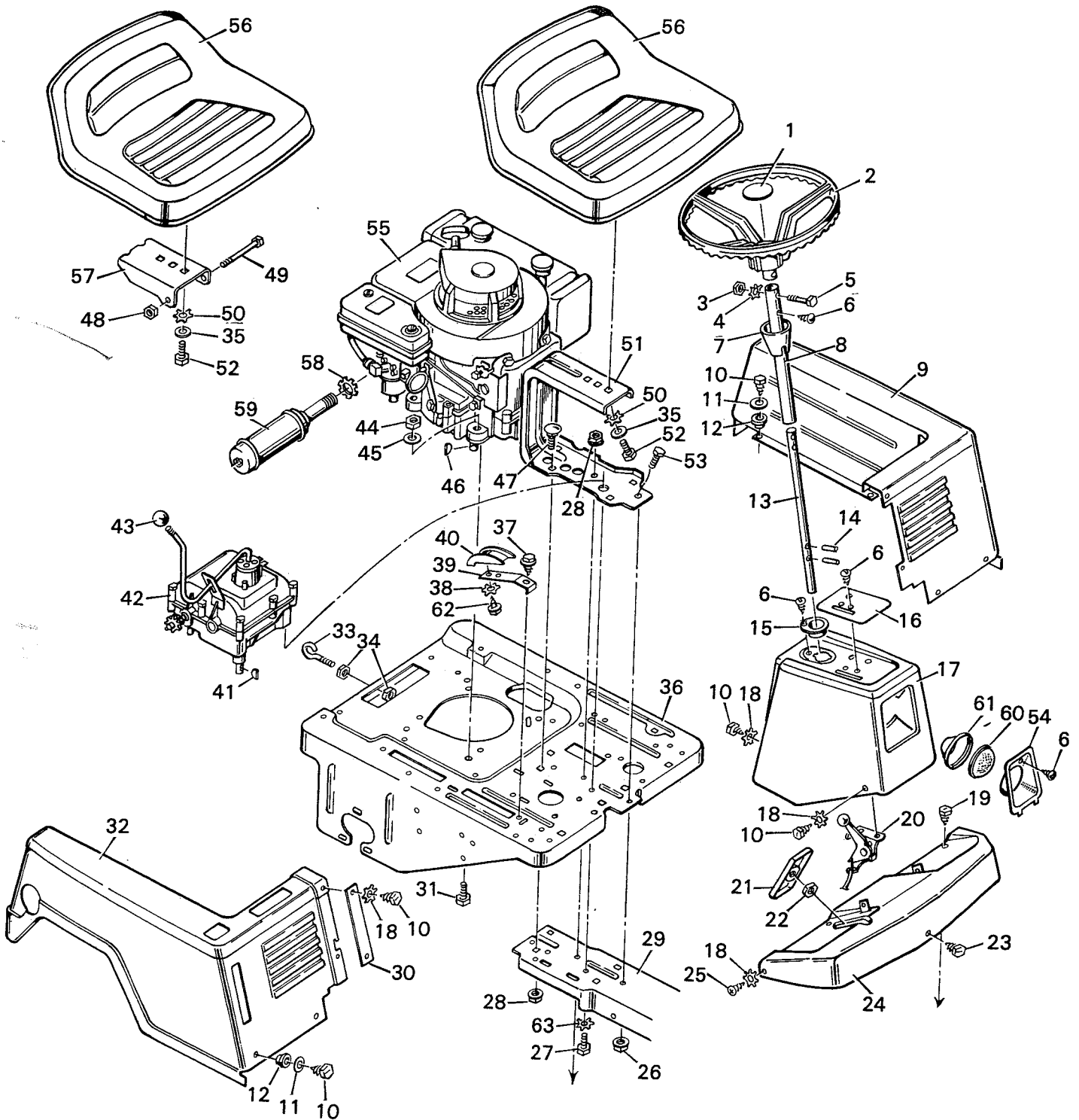


**MODEL 8-3013
MODEL 8-3033
ROTARY MOWER – BODY SECTION**

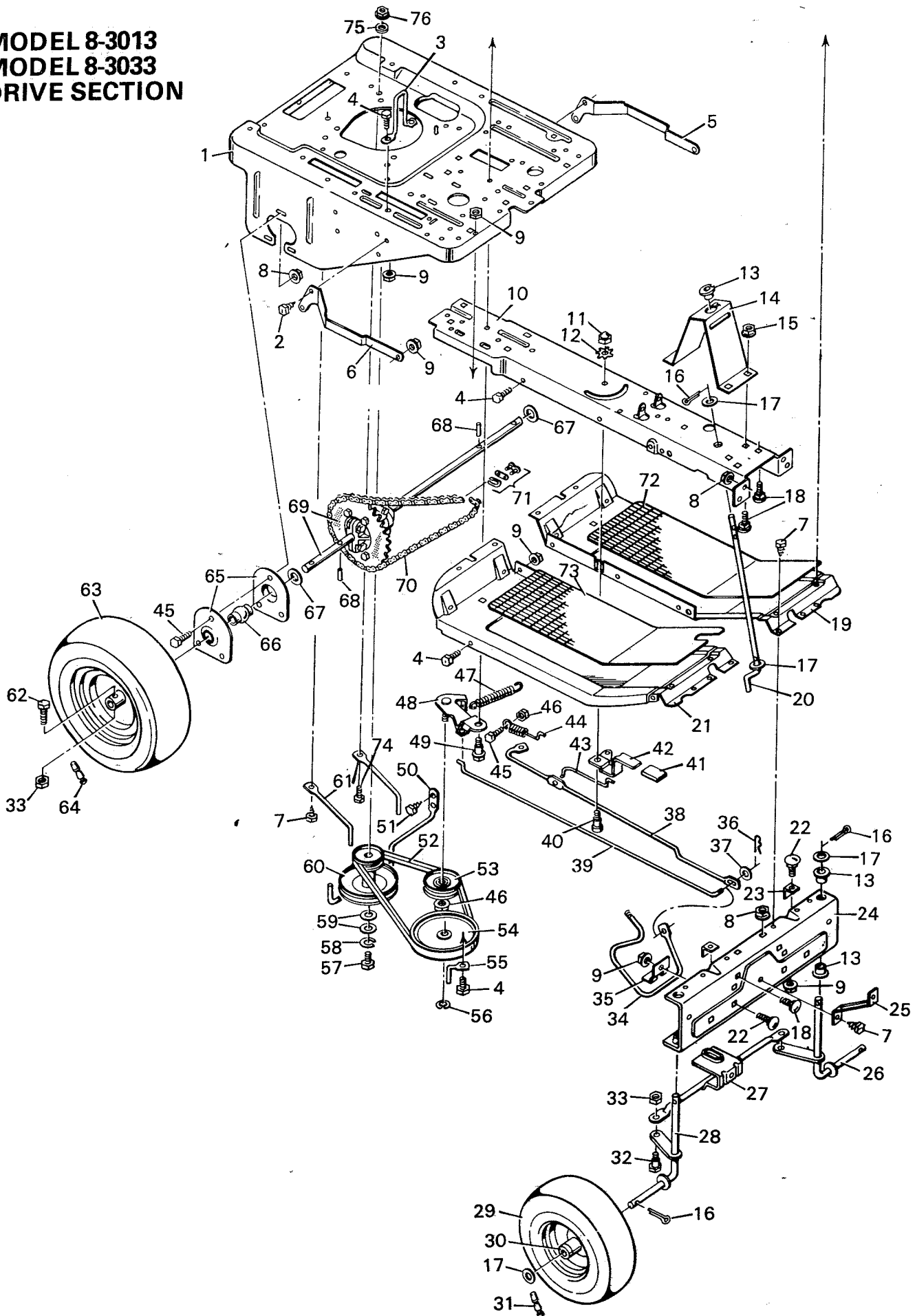


**MODEL 8-3013
MODEL 8-3033
ROTARY MOWER —
BODY SECTION**

KEY NO.	MODEL 3033	MODEL 3013	DESCRIPTION
1	21303	21303	Steering Wheel Cap
2	21302	21302	Steering Wheel
3	15X1Z	15X1Z	Hex Nut ¼-20
4	19X4	19X4	Shakeproof Washer
5	6X58	6X58	Hex Bolt ¼-20X1½
6	26X159	26X159	Self Tapping Screw #8X¾
7	21171	21171	Steering Wheel Collar
8	21172C	21172C	Sleeve
9	23422	23421	L.H. Shroud Assembly
10	26X184	26X184	Screw #10X¾
11	17X106	17X106	Washer
12	20720	20720	Grommet
13	20865	20865	Steering Post
14	32X70	32X70	Spring Pins
15	21034	21034	Nylon Bearing
16	21243	21241	Control Plate
17	20498	20497	Console Assembly
18	19X1	19X1	Shakeproof Washer
19	26X179	26X179	Screw #10X½
20	21223PA	21222PA	Throttle Control
21	20575E	20575E	Pedal
22	15X63	15X63	Hex Nut 7/16-14X11/16
23	26X197	26X197	Hex Tapping Screw-5/16
24	20473	20473	Apron Assembly
25	26X186	26X186	Truss Hd. Tap Screw #10X½
26	15X79	15X79	Hex Flange Nut 5/16-18
27	1X45Z	1X45Z	Hex Bolt 5/16-18X¾
28	15X84Z	15X84Z	Hex Flange Nut ¾-16X9/16
29	23117	23117	Frame Channel
30	23113	23113	Cover Plate
31	1X74	1X74	Engine Bolt 5/16-24X1¼"
32	23417	23417	R.H. Shroud Assembly
33	20696	20696	Eye Bolt
34	15X33	15X33	Hex Nut ¾-24X9/16
35	17X67Z	17X67Z	Washer
36	23427	23427	Engine Base
37	26X174	26X174	Screw
38	19X4	19X4	Shakeproof Washer
39	23402	23402	Idler Leaf Spring
40	23403	23403	Guide Block
41	20697	20697	Woodruff Key
42	23467PA	23467PA	Transmission *
43	20844	20844	Shifter Lever Knob
44	15X42	15X42	Hex Nut
45	17X47Z	17X47Z	Washer
46	20062	20062	Woodruff Key
47	20661	20661	Shoulder Screw
48	15X88	----	Flange Locknut 5/16-18
49	1X78	----	Bolt 5/16-18
50	19X36	19X36	Shakeproof Washer
51	23485	23485	Seat Bracket
52	1X88	1X88	Hex Bolt ½-13X¾
53	1X45Z	1X45Z	Hex Bolt 5/16-18X¾
54	20502	20502	Bezel Reflector
55	----	----	Engine
56	21811	21811	Seat
57	23486Z	None	Seat Hinge
58	23484	23484	Heavy Duty ¾" Locknut
59	23483	23483	Muffler
60	20516	20516	Lens
61	20501C	20501C	Bezel
62	26X195	26X195	Screw
63	19X6	19X6	Shakeproof Washer
----	21817	21817	Parts Bag Assy.

* Note: Complete Illustration of Transmission shown on page 83.

**MODEL 8-3013
MODEL 8-3033
DRIVE SECTION**

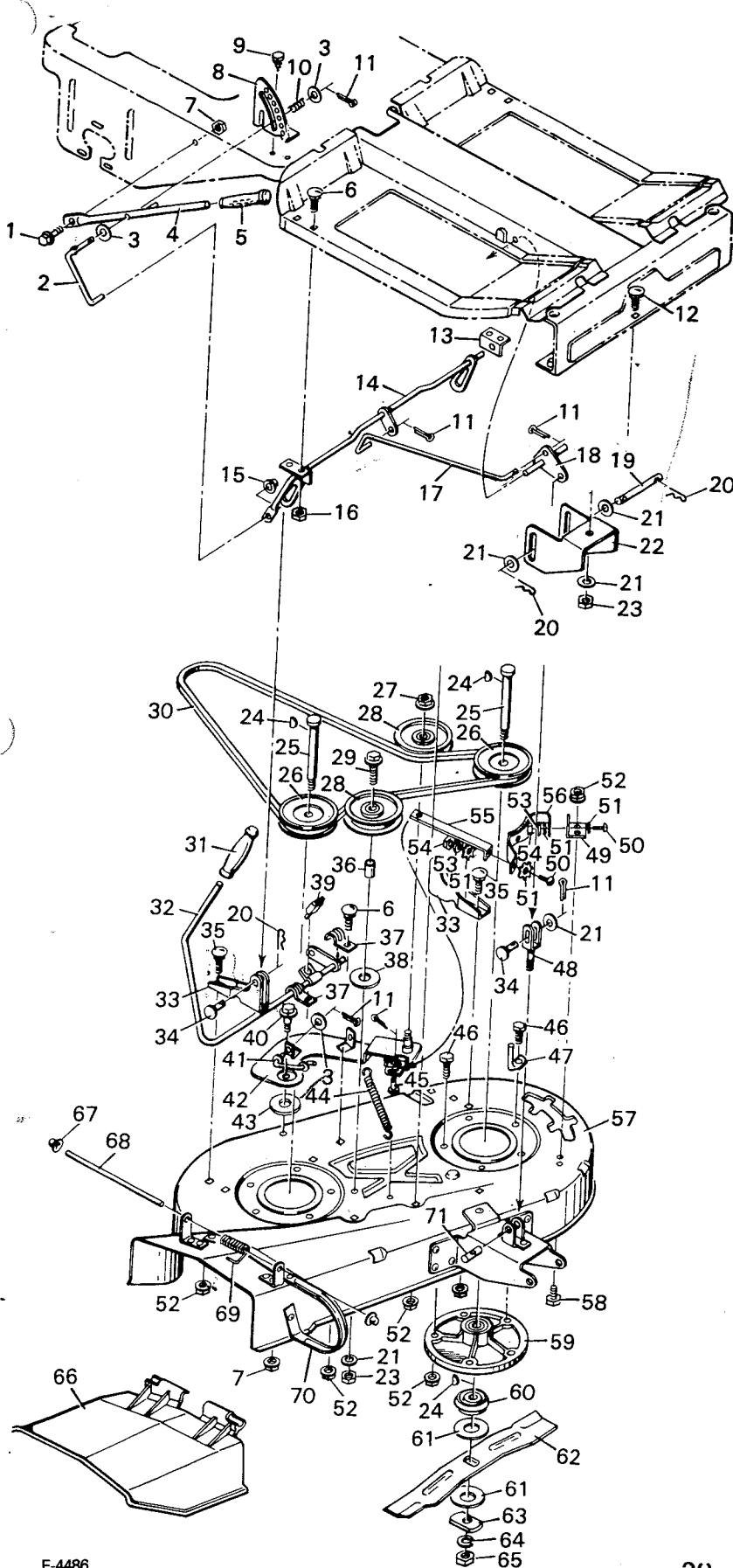


MODEL 8-3013
MODEL 8-3033

KEY NO.	MODEL 3033	MODEL 3013	DESCRIPTION	KEY NO.	MODEL 3033	MODEL 3013	DESCRIPTION
1	23427	23427	Engine Base	36	30X20	30X20	Cotter Hair Pin
2	26X202	26X202	Hex-Washer Head-Screw 3/8"X5/8"	37	17X32	17X32	Plain Washer
3	23553Z	23553Z	Chain Clamp	38	23118	23118	Brake Rod
4	1X45Z	1X45Z	Bolt 5/16-18X5/8	39	20669	20669	Clutch & Brake Rod
5	23456	23456	Running Board Support - L.H.	40	6X46	6X46	Shoulder Screw
6	23455	23455	Running Board Support - R.H.	41	22196	22196	Parking Brake Grip
7	26X197	26X197	Hex Tapping Screw	42	21829Z	21829Z	Parking Brake Lever
8	15X85	15X85	Flange Nut 3/8X16	43	23120	23120	Parking Brake Link
9	15X79	15X79	Hex Flange Nut 5/16-18	44	23119	23119	Brake Spring
10	23117	23117	Frame Channel	45	1X85Z	1X85Z	Bolt 3/8-16X3/4
11	14X77	14X77	Acorn Nut	46	15X84Z	15X84Z	Flange Locknut 3/8-16
12	19X4	19X4	Shakeproof Washer	47	20683	20683	Drive Idler Spring
13	20587	20587	Nylon Spindle Bearing	48	23122Z	23122Z	Drive Idler Assembly
14	21071	21071	Steering Support	49	20662Z	20662Z	Shoulder Screw
15	15X68	15X68	Hex Nut 3/8-16	50	23439Z	23439Z	Belt Guide
16	30X49	30X49	Cotter Pin	51	26X50	26X50	Screw
17	17X100Z	17X100Z	Plain Washer	52	20716	20716	Drive Belt
18	2X56	2X56	Carriage Bolt 3/8-16X3/4	53	20613	20613	Idler Pulley
19	20541	20541	Running Board L.H.	54	20614	20614	Transmission Pulley
20	20864	20864	Lower Steering Post	55	23470Z	23470Z	Belt Guide
21	20540	20540	Running Board R.H.	56	11X7	11X7	Retainer Ring
22	2X53	2X53	Carriage Bolt 5/16-18X5/8	57	1X20	1X20	Bolt 3/8-24X1
23	20709	20709	Stop Clip	58	18X15	18X15	Shakeproof Washer
24	20545	20545	Front Axle Beam	59	10851Z	10851Z	Washer
25	20639	20639	Apron Support	60	23506Z	23506Z	Stack Pulley Assembly
26	23527	23527	Spindle Arm L.H.	61	23469Z	23469Z	Stack Pulley Belt Guide
27	21993	21993	Tie Bar & Bracket	62	1X81	1X81	Bolt 5/16-18X1 5/8
28	23526	23526	Spindle Arm R.H.	63	20752	20752	Rear Wheel & Tire
29	20743	20743	Front Wheel & Tire		133X3	133X3	Tire Only
	133X2	133X2	Tire Only		135X3	135X3	Wheel Only
	134X2	134X2	Tube Only	65	20570Z	20570Z	Bearing Retainer
	135X2	135X2	Wheel Only	66	20568	20568	Rear Axle Bearing
30	20745	20745	Front Wheel Bearing	67	61961Z	61961Z	Washer
31	400162	400162	Valve Stem	68	32X65	32X65	Roll Pin
32	20660	20660	Shoulder Bolt	69	20685	20685	Differential & Axle Unit *
33	15X88Z	15X88Z	Flange Nut 5/16-18	70	23468	23468	Roller Chain 39 1/2"
34	20645	20645	Clutch & Brake Lever	71	20730	20730	Connecting Link
35	20572	20572	Clutch & Brake Lever Clamp	72	20691	20691	L.H. Rubber Mat
				73	20690	20690	R.H. Rubber Mat
				74	1X83	1X83	Bolt 5/16-24X1 1/2"
				75	17X47Z	17X47Z	Lockwasher
				76	15X42	15X42	Locknut 5/16"-24

* Note: Complete Illustration of Differential shown on page 85.

**MODEL 8-3013
MODEL 8-3033
BLADE HOUSING**

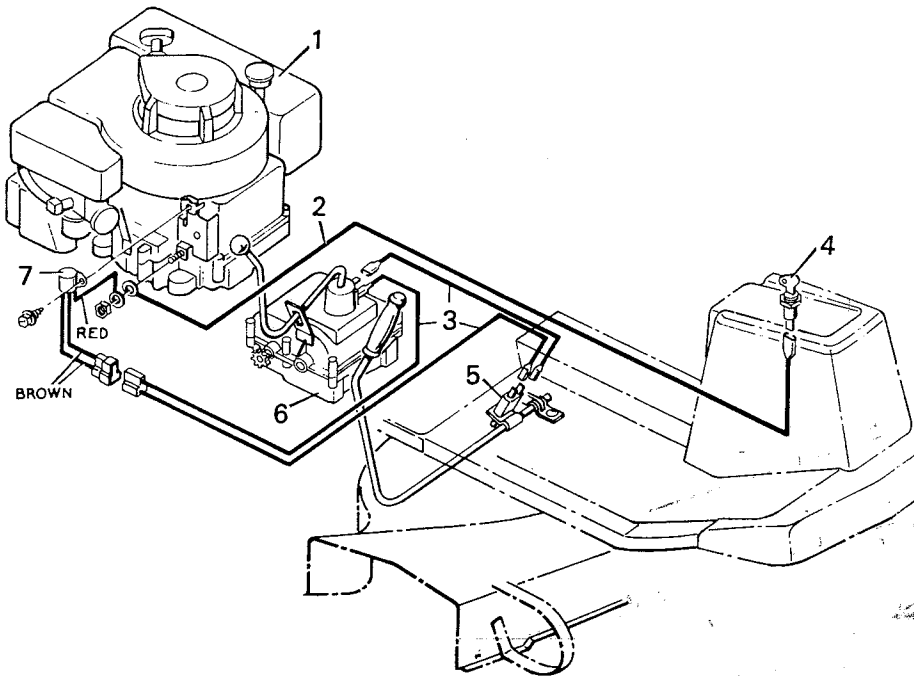


KEY NO.	PART NO.	DESCRIPTION
1	20661	Shoulder Bolt
2	21886	Lifter Rod
3	17X46Z	Washer I.D. 11/32"
4	20658	Lifter Lever & Pin Assembly
5	20718	Grip - Lifter Lever
6	2X53Z	Carriage Bolt 5/16"-18X3/4"
7	15X68	Flange Locknut 3/8"-16
8	20636	Lifter Index Bracket
9	26X197	Hex Tapping Screw 5/16"X3/8"
10	20680	Lifter Spring
11	30X20	Cotter Pin
12	2X55	Carriage Bolt 1/2"-13X1"
13	21876	Rear Bracket
14	23407	Lifter Rod Assembly
15	28X39	Push-On-Cap
16	15X79	Hex Flange Nut 5/16"-18
17	21888	Lifter Link
18	21982	Pivot Arm & Rod Assembly
19	21890Z	Pin
20	20692	Cotter Hair Pin
21	17X67Z	Washer I.D. 17/32"
22	23492	Front Suspension Bracket
23	15X41	Hex Nut 1/2"-13
24	20062	Woodruff Key #6
25	20616	Jackshaft
26	23495	Blade Drive Pulley
27	15X84Z	Flange Locknut 3/8"-16
28	23339	Backside Idler
29	1X104	Bolt 1/2"-13X2"
30	23496	Belt 74"
31	20719	Grip - Blade Lever
32	23519Z	Blade Drive Lever Assembly
33	23441	Rear Housing Bracket
34	21891	Clevis Pin
35	2X64	Carriage Bolt 5/16"-18X3/4"
36	23523	Spacer
37	23433Z	Blade Lever Mount
38	23627	Washer
39	20608PA	Safety Switch
40	20662Z	Shoulder Screw
41	23607Z	Link Rod Assembly
42	23512Z	Drive Idler Assembly
43	20094Z	Washer
44	20683	Blade Belt Idler Spring
45	29X94	Clevis Pin
46	1X84Z	Bolt 5/16"-18X3/4"
47	23470Z	Belt Guide
48	23522	Bracket & Bolt Assembly
49	23623	L-Bracket
50	4X21	#10 Machine Screw
51	19X1	Shakeproof Washer
52	15X88Z	Flange Locknut 5/16"-18
53	17X8	Plain Washer I.D. 1/2"
54	15X81	Hex-Locknut #10-24
55	23625	Blade Brake Activating Link
56	23628	Blade Brake
57	40302Z	Blade Housing
58	1X45Z	Bolt 5/16"-18X3/4"
59	20551	Jackshaft Housing
60	20617	Blade Adapter
61	21673Z	Washer
62	20928	Blade -30"
63	20663Z	Blade Washer
64	18X27	Lockwasher I.D. 33/64"
65	15X72	Hex Nut 1/2"-20
66	21152	Chute Deflector
67	28X23	Push-On-Cap
68	21197Z	Deflector Rod
69	21189	Torsion Spring
70	404016	Skid-30 inch
71	21892	Lifter Pin
72	403023	30" Blade Housing Complete

F-4486

WIRING DIAGRAM

MODEL 8-3013 (RECOIL START)



KEY NO.	PART NO.	DESCRIPTION
1	----	Engine
2	20610	Jumper Wire
3	21364	Wiring Harness
4	21211PA	Stop Switch & Key
5	20608PA	Limit Switch
6	23467PA	Transmission
7	21361 20756	Control Module Key Only

KEY NO.	PART NO.	DESCRIPTION
1	21263	Battery Wire (Short)
2	21261	Solenoid
3	15X66	Keps Nut
4	1X38	Bolt 1/4"-20X5/8"
5	21264	Battery Wire (long)
6	21212	Wire W/Eyelet & Spade Terminal
7	23467PA	Transmission
8	23581	Battery - JB9
9	23552	Battery Strap
10	26X174	Screw
11	23580	Battery Box
12	20762	Ground Battery Cable
13	21296	Jumper Wire W/Fuse Knob
14	21023	Fuse - 15 Amp.
15	20608PA	Safety Switch
16	21064PA	Switch & Key
17	20776PA	Light Switch
18	21840	Wiring Harness
19	20774	Socket
20	20775	Light Bulb
	20729	Key Only

MODEL 8-3033 (ELECTRIC START)

