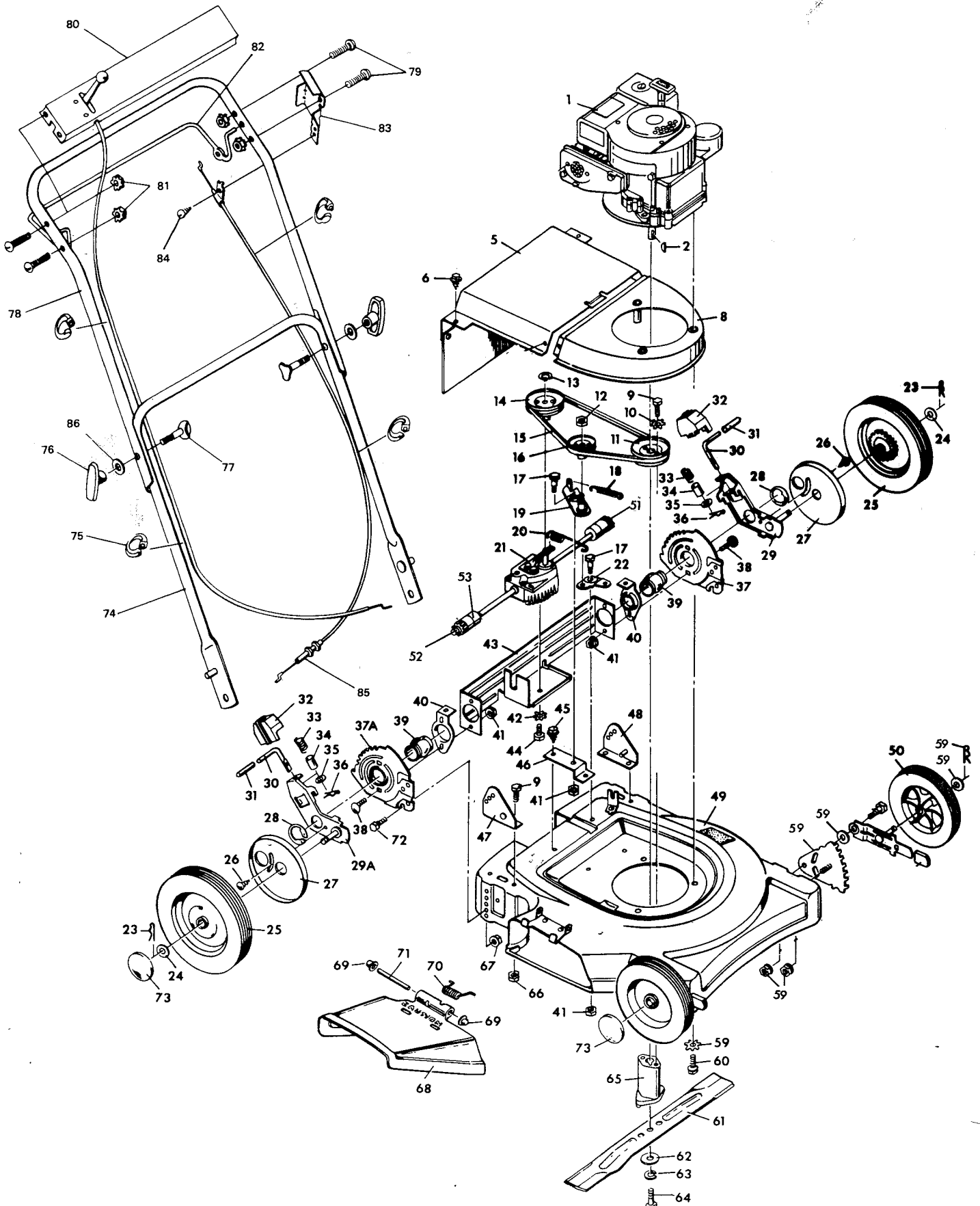


# MODEL 8-2267 22" SELF-PROPELLED ROTARY MOWER



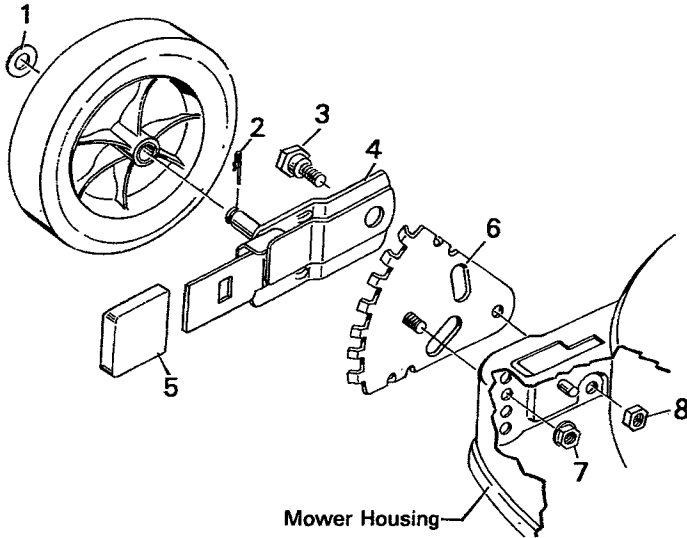
**MODEL 8-2267**

KEY NO.	PART NO.	DESCRIPTION	KEY NO.	PART NO.	DESCRIPTION
1	-----	Engine	45	26X159	Screw
2	20062	Woodruff Key	46	22662Z	Idler Ass'y Mount Bracket
5	400206	Transmission Cover & Rear Guard Ass'y.	47	22599Z	Folding Handle Bracket L.H.
6	26X203	Screw	48	22598Z	Folding Handle Bracket R.H.
8	22683	Engine Base & Spacer Ass'y.	49	22435	Housing Assembly
9	1X38	Hex Bolt	50	20104	Wheel & Tire
10	18X30	Shakeproof Washer	51	400207 <sup>8</sup>	Ratchet - L.H.
11	22614Z	Engine Pulley Ass'y.	52	400208 <sup>07</sup>	Ratchet - R.H.
12	15X89Z	Hex Nut	53	400209	Ratchet Housing R. & L.
13	11X2	Retainer Ring	58	400152	Wheel Adjuster Assembly*
14	22617	Transmission Pulley Ass'y.	59	19X8	Shakeproof Washer
15	22611	Drive Belt-3L" Long	60	26X206	Bolt
16	22624	Idler Pulley	61	20046	Blade
17	9X2Z	Shoulder Bolt	62	20094Z	Washer
18	22620	Spring	63	18X31	Lock Washer
19	22660Z	Idler Bracket Ass'y.	64	1X101	Blade Mounting Bolt
20	22618	Spring	65	22615	Blade Adapter
21	22610	Transmission**	66	15X82Z	Hex Nut
22	22650Z	Control Lever	67	15X84Z	Flange Nut
23	20101	Hair Pin Cotter	68	22352	Chute Deflector
24	17X102Z	Washer	69	28X42	Push-On-Cap
25	22713	Wheel & Tire	70	22052	Torsion Spring
26	26X185	Screw	71	22326Z	Pivot Pin
27	22631	Dust Cover	72	1X85Z	Bolt
28	11X1	Retainer Ring	73	22690	Hub Cap
29	22677Z	Axle Bracket Ass'y-L.H.	74	22592C	Lower Handle
29A	22676Z	Axle Bracket Ass'y-R.H.	75	22550	Cable Clips
30	22670Z	Height Adjuster Lock	76	20266	Handle Knob
31	22628	Grip	77	20129	Contour Bolt
32	22679	Cover	78	22691C	Upper Handle
33	22627	Spring	79	3X97Z	Bolt
34	22678Z	Spacer	80	400177	Throttle Control
35	17X52Z	Washer	81	15X66	Keps Nut
36	20101	Hair Pin Cotter	82	22655Z	Clutch Lever
37	22673Z	Index Plate L.H.	83	22653Z	Handle Bracket
37A	22672Z	Index Plate R.H.	84	26X181	Screw
38	2X39	Bolt	85	22648	Clutch Cable
39	22625	Bearing	86	17X46Z	Washer
40	22629Z	Bearing Retainer		22728	Parts Bag
41	15X89Z	Flange Nut		22338	Engine Shroud (Not Shown)
42	19X4	Shakeproof Washer		22334	Shroud Insert (Not Shown)
43	22666Z	Transmission Plate		26X159	Tap Screw (Not Shown)
44	1X100	Hex Bolt			

\* Note: See page 94 for parts list for 400152 Wheel Adjuster Assy.

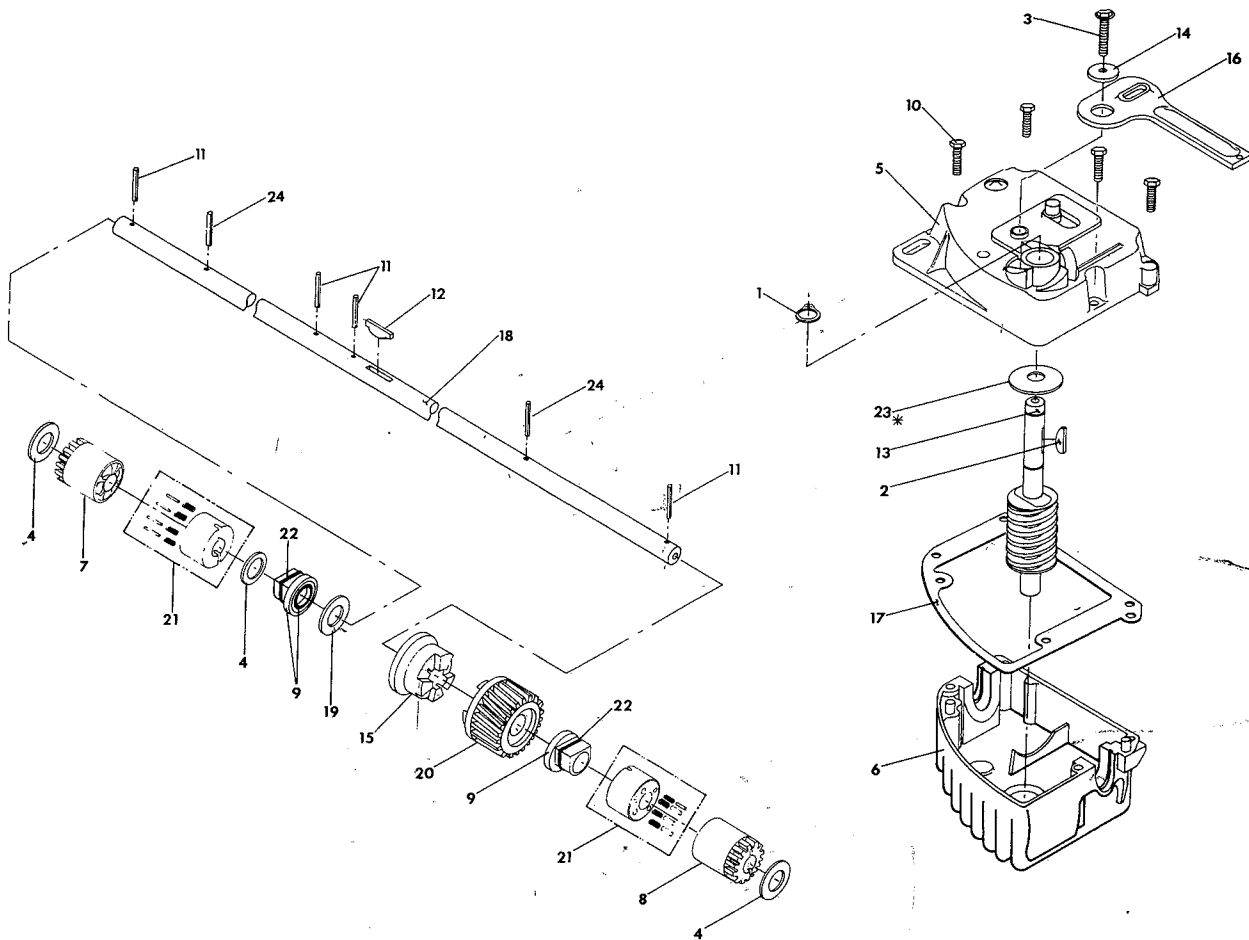
\*\* NOTE: Complete illustration of 22610 transmission shown on page 101.

**MODEL 400152  
WHEEL ADJUSTER ASSEMBLY**



Key No.	Model 400152 Part No.	Description
1	17X102Z	Washer
2	20101	Hair Pin Cotter
3	20064	Shoulder Bolt
4	20109	Arm & Axle Assembly
5	20065	Lever Spring Knob
6	20113Z	Index Plate Assembly
7	15X68	Flange Locknut
8	15X12	Stover Nut
1-8	400152	Wheel Adjuster Assy.

**MODEL 22610 TRANSMISSION**  
**MODEL 22840 TRANSMISSION**



KEY NO.	PART NO.	DESCRIPTION	KEY NO.	PART NO.	DESCRIPTION
1	400036	Retaining Ring	15	407273	Dog Clutch
2	400055	Woodruff Key # 2	16	407274	Clutch Lever
3	407264	Screw	17	407275	Gasket
4	407130	Washer (2 Per Each Application)	18*	407276	Output Shaft (22610) Output Shaft (22840)
5	407265	Upper Housing Assembly	19	407277	Washer
6	407266	Lower Housing Assembly	20†	407278	Helical Gear
7	400207	Ratchet <i>EP. R.H.</i>	21	400209	Ratchet Housing Assembly
8	400208	Ratchet <i>EP. L.H.</i>	22	407279	Bearing Seal
9	407267	Bearing & Seal Assembly	23* *	407280	Washer .750X.505X.030
10	407268	Hex Bolt	23* *	407277	Washer .940X.505X.030
11	407269	Spiral Pin	23* *	407281	Washer 1.00X.505X.020
12	407270	Hi-Pro Key	24	407282	Spiral Pin
13	407271	Input Shaft-R.H.			
14	407272	Washer			

\* NOTE: Transmission # 's 22610 and 22840 are the same except for Key No. 18 - Output Shafts.

\*\* NOTE: Maximum usage of two (2) per assembly to maintain a maximum of .010 "End Float" in input area.

†NOTE: Use 50 cc. of 85 W oil on this part.