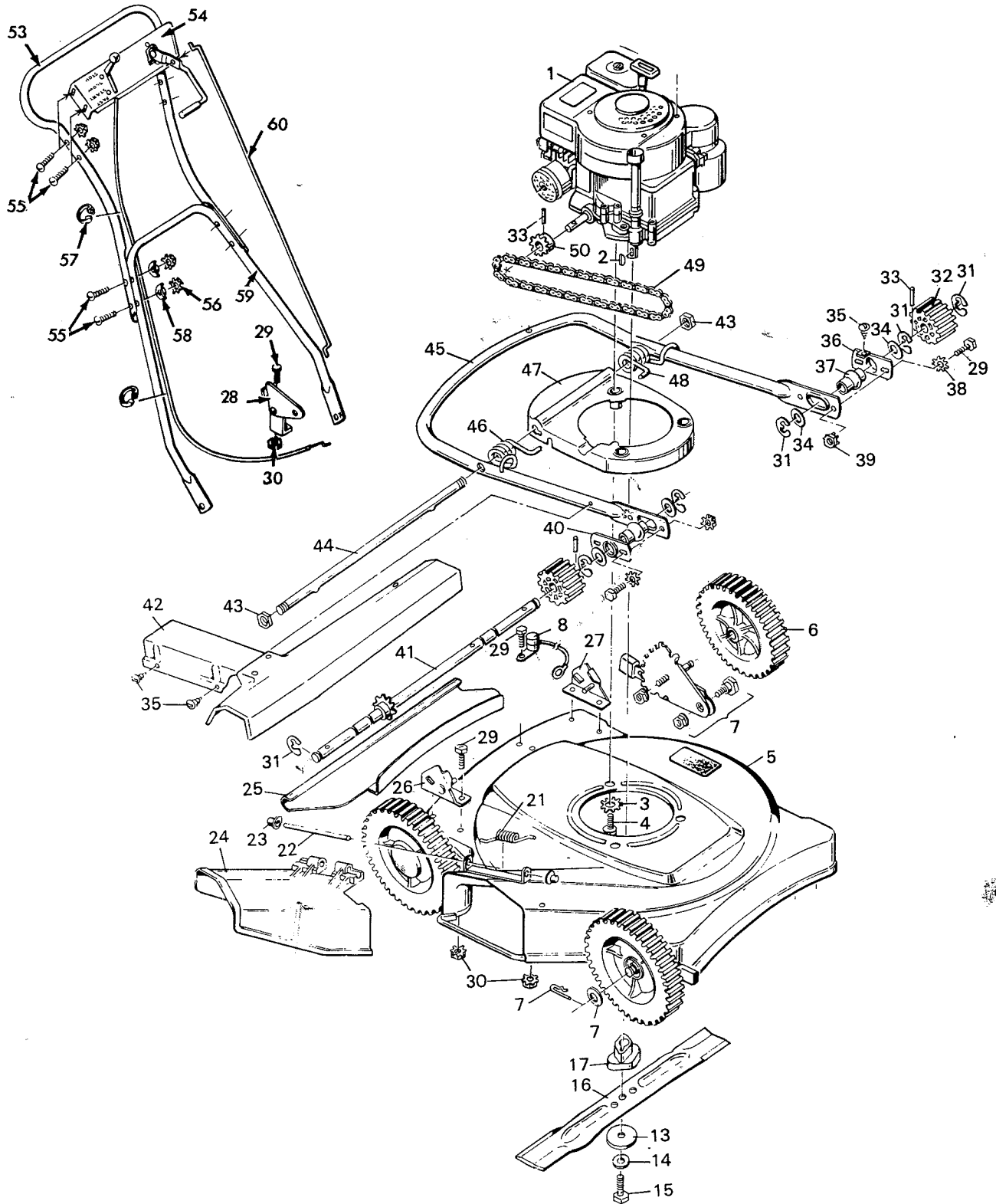


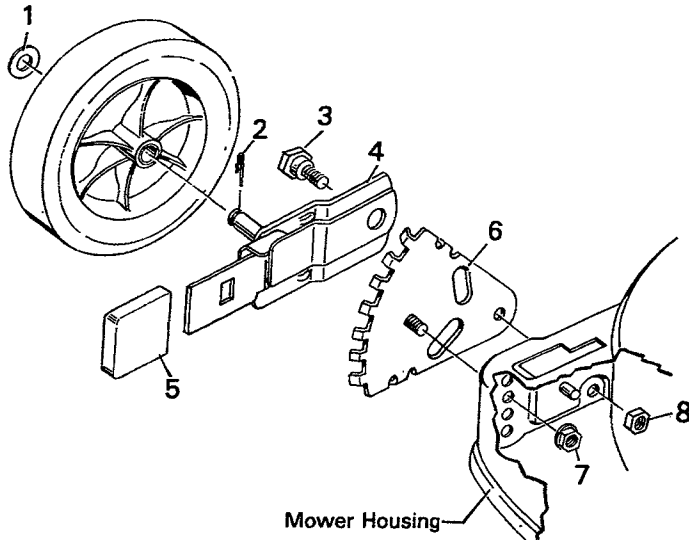
MODEL 8-2252 22" SELF-PROPELLED ROTARY MOWER



KEY NO.	8-2252	DESCRIPTION
1	-----	Engine
2	20062	Woodruff Key
3	19X8	Shakeproof Washer
4	20102	Engine Bolt
5	22072	Housing Assembly
6	20105	Wheel & Tire
7	400152	Wheel Adjuster Assembly*
8	22496	Safety Interlock Module
13	20094Z	Washer
14	18X31	Cup Washer
15	1X69	Blade Adapter Bolt
16	20046	Blade
17	20051	Blade Adapter
21	22052	Torsion Spring
22	20050Z	Pivot Pin
23	28X42	Push-On-Cap
24	20454	Chute Deflector
25	407018	Rear Guard
28	22528	Bracket & Pivot Arm Assy.
29	1X38	Bolt
30	15X82	Hex Nut
31	11X8	Retainer Ring
32	20066	Drive Pinion
33	32X64	Spring Pin
34	17X100Z	Washer
35	26X159	Screw
36	20375Z	Bearing Retainer
37	20048	Bearing
38	19X4	Washer
39	15X82	Keps Nut
40	20049Z	Bearing Retainer
41	22150Z	Drive Shaft & Sprocket Ass'y.
42	22479	Pinion & Chain Guard Ass'y.
43	15X64	Hex Nut
44	20085Z	Pivot Shaft
45	20012C	Drive Arm
46	20067Z	Torsion Spring R.H.
47	20054E	Base & Spacer Ass'y.
48	20068Z	Torsion Spring L.H.
49	20108	Chain & Link
50	20411	Engine Sprocket
53	20190C	Upper Handle Assembly
54	400168	Control Panel & Cable Assembly
55	3X136Z	Bolt 1/4-20X1-3/8
56	15X66	Keps Nut 1/4-20
57	22550	Cable Clips
58	20087	Formed Washer
59	20058Z	Lower Handle Assembly
60	2253T	Actuating Rod
	22440	Parts Bag

* Note: See page 94 for parts list for 400152 wheel adjuster assembly.

**MODEL 400152
WHEEL ADJUSTER ASSEMBLY**



Key No.	Model Part No.	Description
1	17X102Z	Washer
2	20101	Hair Pin Cotter
3	20064	Shoulder Bolt
4	20109	Arm & Axle Assembly
5	20065	Lever Spring Knob
6	20113Z	Index Plate Assembly
7	15X68	Flange Locknut
8	15X12	Stover Nut
1-8	400152	Wheel Adjuster Assy.