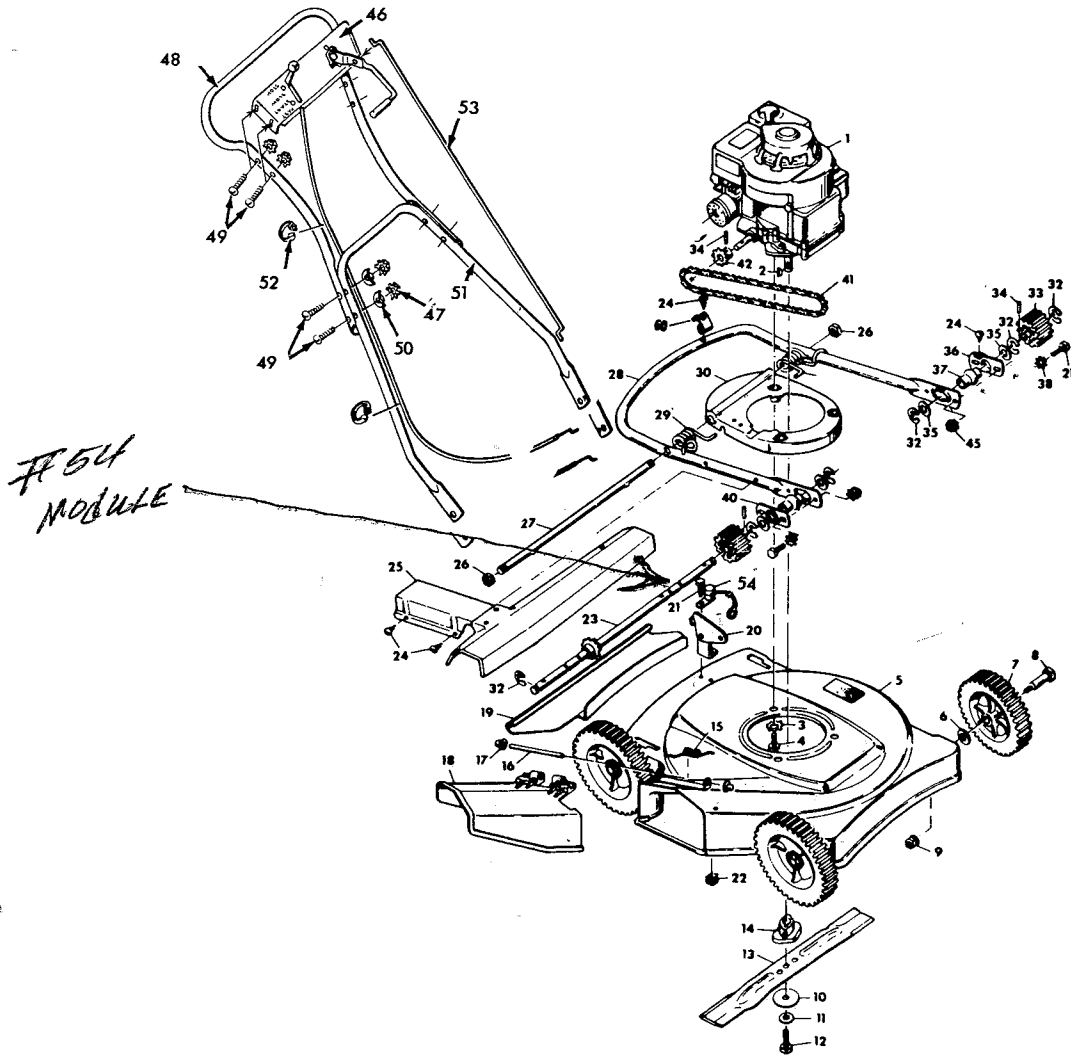


# MODEL 8-2251 SELF-PROPELLED ROTARY MOWER



KEY NO.	MODEL 8-2251 PART NO.	DESCRIPTION	KEY NO.	MODEL 8-2251 PART NO.	DESCRIPTION	KEY NO.	MODEL 8-2251 PART NO.	DESCRIPTION
1	-----	Engine	18	20454	Chute Deflector	35	17X100Z	Washer
2	20062	Woodruff Key	19	407018	Rear Guard Panel	36	20375Z	Bearing Retainer
3	19X8	Shakeproof Washer	20	22528	Brkt. & Pivot Arm Assy.	37	20048	Bearing
4	20102	Engine Bolt	21	1X38	Bolt	38	19X4	Shakeproof Washer
5	22072	Housing Assy	22	15X82	Keps Nut	40	20049Z	Bearing Retainer
6	10851Z	Washer	23	22151Z	Drive Shaft & Spkt. Assy.	41	20108	Chain & Link
7	20105	Wheel & Tire Assy.	24	26X159	Self-Tapping Screw	42	20411	Enginè Sprocket
8	20086	Axle Bolt	25	400153	Pinion & Chain Guard Assy.	46	400168	Control & Cable Assy.
9	15X68	Flanged Locknut	26	15X64	Hex Nut	47	15X66	Keps Nut
10	20094Z	Washer	27	20085Z	Pivot Shaft	48	20190C	Upper Handle
11	18X31	Cup Washer	28	20012C	Drive Arm	49	3X136	Bolt
12	1X69	Blade Adapter Bolt	29	20067Z	Torsion Spring R-H	50	20087	Formed Washer
13	20046	Blade	30	20054E	Base & Spacer Assy.	51	20058Z	Lower Handle Assy.
14	20051	Blade Adapter	31	20068Z	Torsion Spring L-H	52	22550	Cable Clip
15	22052	Torsion Spring	32	11X8	Retainer Ring	53	22531Z	Actuating Rod
16	22050Z	Pivot Pin	33	20066	Drive Pinion	54	22496	Safety Interlock Module
17	28X42	Push-On-Cap	34	32X64	Spring Pin		20251	Parts Bag