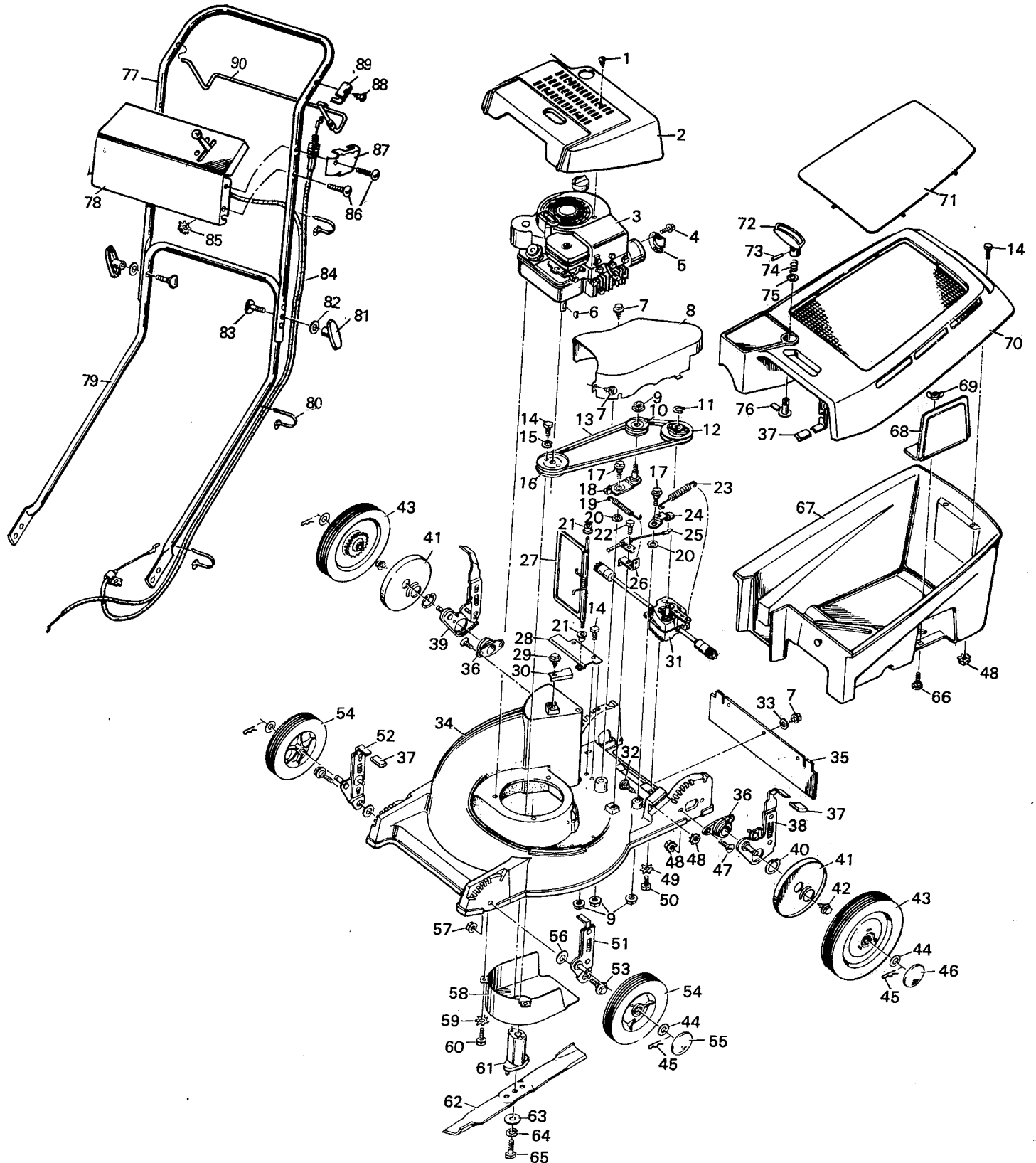


MODEL 8-2155 21" SELF-PROPELLED REAR BAGGER — ROTARY MOWER



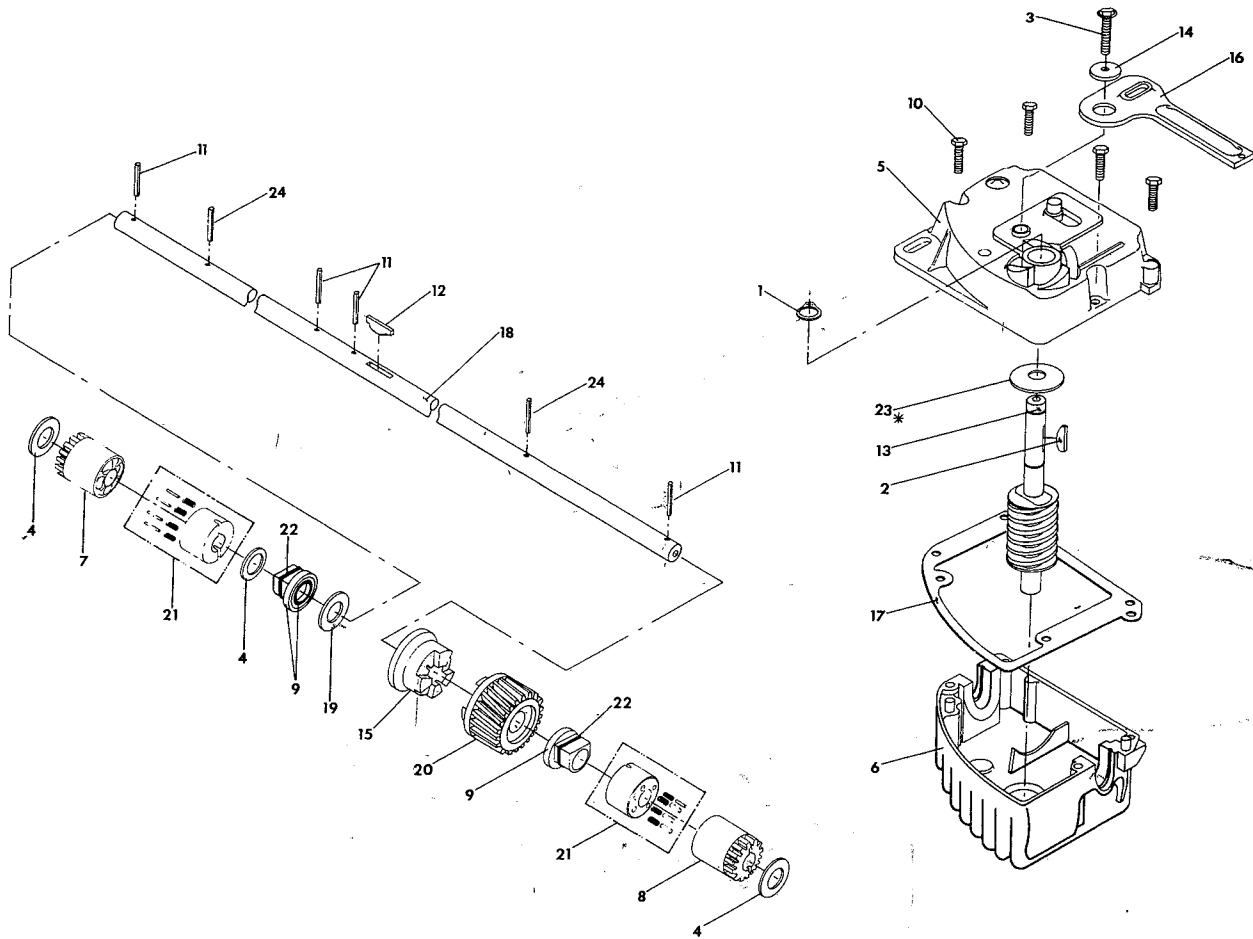
MODEL 2155

PARTS LIST

KEY NO.	PART NO.	DESCRIPTION	KEY NO.	PART NO.	DESCRIPTION
1	26X209	Tap Screw # 8X1 1/8"	46	22690	Rear Hub Cap
2	22821	Engine Shroud	47	4X69	Countersunk Screw
3	----	Engine	48	15X66	Keps Nut 1/4"-20
4	26X208Z	Tap Screw # 8X3/8"	49	19X4	Shakeproof Washer
5	20457	Muffler Deflector	50	25X3	Hex Forming Screw
6	20062	Woodruff Key # 6	51	22867	LH Front Adjuster
7	26X203	Screw # 8X 1/2"	52	22864	RH Front Adjuster
8	22848	Transmission Cover	53	9X7	Shoulder Bolt
9	15X89Z	Flange Locknut 1/4"-20	54	20104	Front Wheel & Tire
10	22624	Idler Pulley	55	22090	Front Hub Cap
11	11X2	Retainer Ring	56	17X121	Washer I.D. 13/31"-14Ga.
12	22856	Transmission Pulley	57	15X12	Stover Nut 3/8"-16
13	22846	Belt	58	22847	Lower Belt Guard
14	1X38Z	Bolt 1/4"-20X5/8"	59	19X8	Shakeproof Washer
15	18X30	Spring Lockwasher	60	20103	Engine Mount Bolt
16	22614Z	Pulley	61	22808	Blade Adapter
17	9X2Z	Shoulder Bolt	62	22860	Blade 21"
18	22844Z	Idler Bracket	63	20094Z	Washer
19	22620	Idler Spring	64	18X31	Spring Lockwasher
20	17X38Z	Washer I.D. 17/64"-16 Ga.	65	1X105	Hex Head Bolt
21	22825	Nylon Bearing	66	2X66	Carriage Bolt
22	25X1	Hex Forming Screw	67	407246	Lower Catcher Ass'y.
23	22618	Transmission Spring	68	22812	Discharge Door
24	22854Z	Control Lever	69	14X80	Wing Nut
25	22850	Clutch Cable	70	22835	Upper Catcher & Screen Ass'y.
26	22853Z	Idler Spring Bracket	71	22813	Catcher Insert
27	22816	Trap Door & Spring Assembly	72	22815	Trap Door Knob
28	22817	Lower Door Bracket	73	32X75	Roll Pin
29	25X2	Hex Forming Screw	74	22826	Spring
30	22831	Keeper	75	17X100Z	Washer I.D. 41/64"-16 Ga.
31	22840*	Transmission	76	22832Z	Insert & Pawl Assembly
32	2X65	Carriage Bolt	77	22878C	Upper Handle
33	17X17Z	Washer I.D. 13/64"-18 Ga.	78	407245	Control Plate
34	22802	Housing	79	22870C	Lower Handle
35	22861	Rear Guard	80	32618	Tie Strap
36	22845	Rear Axle Bearing	81	20266	Folding Handle Knob
37	21434	Grip	82	17X46Z	Washer I.D. 11/32"-13 Ga.
38	22881	LH Rear Adjuster	83	20129Z	Contour Bolt
39	22880	RH Rear Adjuster	84	22850	Clutch Cable
40	11X9	Retainer Ring	85	15X66	Keps Nut 1/4"-20
41	22631	Dust Cover	86	3X97Z	Screw 1/4"-20X 1/2"
42	26X185	Screw # 10X3/8"	87	22852Z	Clutch Lever Bracket
43	22713	Wheel Gear & Tire Assembly	88	26X12	Tapping Screw # 10X3/8"
44	17X102Z	Washer I.D. 33/64"-16 GA.	89	22898Z	Clutch Stop Bracket
45	20101	Cotter Hair Pin	90	22851Z	Clutch Lever
				22907	Parts Bag

* NOTE: Illustration of 22840 Transmission shown on page 101.

MODEL 22610 TRANSMISSION
MODEL 22840 TRANSMISSION



KEY NO.	PART NO.	DESCRIPTION	KEY NO.	PART NO.	DESCRIPTION
1	400036	Retaining Ring	15	407273	Dog Clutch
2	400055	Woodruff Key # 2	16	407274	Clutch Lever
3	407264	Screw	17	407275	Gasket
4	407130	Washer (2 Per Each Application)	18*	407276	Output Shaft (22610) Output Shaft (22840)
5	407265	Upper Housing Assembly	19	407277	Washer
6	407266	Lower Housing Assembly	20†	407278	Helical Gear
7	400207	Ratchet <i>ER. RH</i>	21	400209	Ratchet Housing Assembly
8	400208	Ratchet <i>RT. LH</i>	22	407279	Bearing Seal
9	407267	Bearing & Seal Assembly	23* *	407280	Washer .750X.505X.030
10	407268	Hex Bolt	23* *	407277	Washer .940X.505X.030
11	407269	Spiral Pin	23* *	407281	Washer 1.00X.505X.020
12	407270	Hi-Pro Key	24	407282	Spiral Pin
13	407271	Input Shaft-R.H.			
14	407272	Washer			

* NOTE: Transmission # 's 22610 and 22840 are the same except for Key No. 18 - Output Shafts.

** NOTE: Maximum usage of two (2) per assembly to maintain a maximum of .010 "End Float" in input area.

†NOTE: Use 50 cc. of 85 W oil on this part.