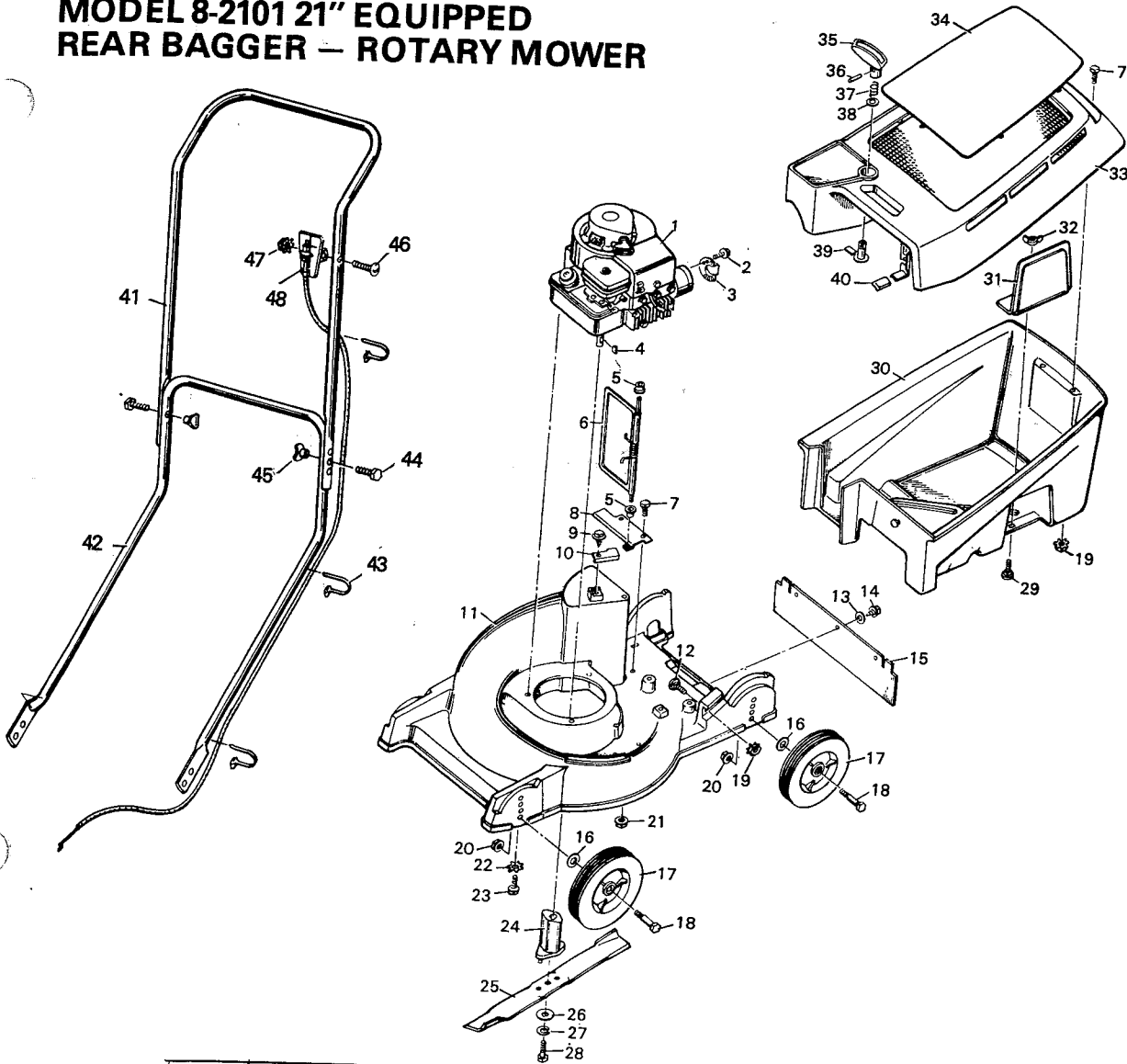


**MODEL 8-2101 21" EQUIPPED  
REAR BAGGER – ROTARY MOWER**



| KEY NO. | PART NO. | DESCRIPTION                | KEY NO. | PART NO. | DESCRIPTION                  |
|---------|----------|----------------------------|---------|----------|------------------------------|
| 1       | -----    | Engine                     | 25      | 22860    | Blade 21"                    |
| 2       | 26X208Z  | Tap Screw # 8X3/8"         | 26      | 20094Z   | Washer                       |
| 3       | 20457    | Muffler Deflector          | 27      | 18X31    | Spring Lockwasher            |
| 4       | 20062    | Woodruff Key # 6           | 28      | 1X105    | Hex Head Bolt                |
| 5       | 22825    | Nylon Bearing              | 29      | 2X66     | Carriage Bolt                |
| 6       | 22816    | Trap, Door & Spring Ass'y. | 30      | 407246   | Lower Catcher Assembly       |
| 7       | 1X38Z    | Bolt 1/4"-20X5/8"          | 31      | 22812    | Discharge Door               |
| 8       | 22817    | Lower Door Bracket         | 32      | 14X80    | Wing Nut                     |
| 9       | 25X2     | Hex Forming Screw          | 33      | 22835    | Upper Catcher & Screen Ass'y |
| 10      | 22831    | Keeper                     | 34      | 22813    | Catcher Insert               |
| 11      | 22801    | Housing Assembly           | 35      | 22815    | Trap Door Knob               |
| 12      | 2X65     | Carriage Bolt              | 36      | 32X75    | Roll Pin                     |
| 13      | 17X17Z   | Washer I.D. 13/64"-18 Ga.  | 37      | 22826    | Spring                       |
| 14      | 26X203   | Screw # 8X 1/2"            | 38      | 17X100Z  | Washer I.D. 41/64"-16 Ga.    |
| 15      | 22861    | Rear Guard                 | 39      | 22832Z   | Insert & Pawl Assembly       |
| 16      | 10851Z   | Washer                     | 40      | 21434    | Grip                         |
| 17      | 20104    | Wheel & Tire               | 41      | 22875C   | Upper Handle                 |
| 18      | 9X6      | Shoulder Bolt              | 42      | 22870C   | Lower Handle                 |
| 19      | 15X66    | Keps Nut 1/4"-20           | 43      | 32618    | Tie Strap                    |
| 20      | 15X68Z   | Flange Locknut 3/8"-16     | 44      | 20412Z   | Hex Bolt                     |
| 21      | 15X98Z   | Flange Locknut 1/4"-20     | 45      | 20410Z   | Tee Nut                      |
| 22      | 19X8     | Shakeproof Washer          | 46      | 3X97Z    | Screw 1/4"-20X 1/4"          |
| 23      | 20103    | Engine Mount Bolt          | 47      | 15X66    | Keps Nut 1/4"-20             |
| 24      | 22809    | Blade Adapter              | 48      | 22858    | Throttle Control             |
|         |          |                            |         | 22909    | Parts Bag Ass'y.             |