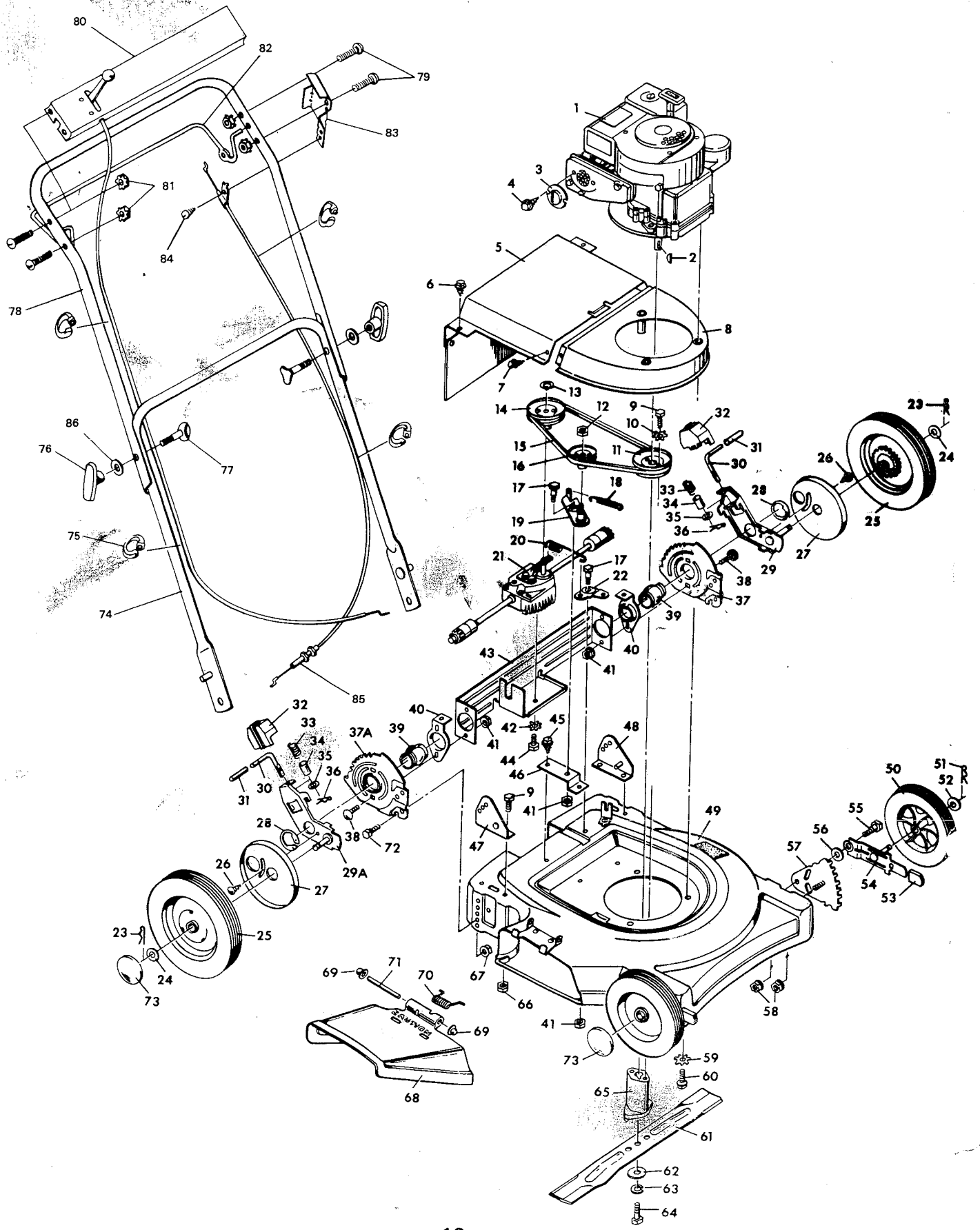


**MODEL 7-2267**  
**22" SELF-PROPELLED**



**MODEL 7-2267**

KEY NO.	PART NO.	DESCRIPTION	KEY NO.	PART NO.	DESCRIPTION
1	-----	Engine	45	26X159	Screw
2	20062	Woodruff Key	46	22662	Idler Ass'y Mount Bracket
3	22553	Exhaust Deflector	47	22599Z	Folding Handle Bracket R.H.
4	22552	Screw	48	22598Z	Folding Handle Bracket L.H.
5	400206	Transmission Cover & Rear Guard Ass'y.	49	22435	Housing Assembly
6	26X203	Screw	50	20104	Wheel & Tire
7	26X165	Screw	51	20101	Hair Pin Cotter
8	22683	Engine Base & Spacer Ass'y.	52	17X102Z	Washer
9	1X38Z	Hex Bolt	53	22196	Grip
10	18X30	Shakeproof Washer	54	22208Z	Arm & Axle Assembly
11	22614Z	Engine Pulley Ass'y.	55	22193	Shoulder Bolt
12	15X87Z	Hex Nut	56	22192	Washer
13	11X2	Retainer Ring	57	20113Z	Index Plate
14	22617	Transmission Pulley Ass'y.	58	15X68	Flange Locknut
15	22611	Drive Belt-3L" Long	51-58	400148	Wheel Adjuster Assembly
16	22624	Idler Pulley	59	19X8	Shakeproof Washer
17	9X2	Shoulder Bolt	60	26X206	Bolt
18	22620	Spring	61	20046	Blade
19	22660Z	Idler Bracket Ass'y.	62	20094Z	Washer
20	22618	Spring	63	18X31	Lock Washer
21	22610	Transmission	64	1X101	Blade Mounting Bolt
22	22650Z	Control Lever	65	22615	Blade Adapter
23	20101	Hair Pin Cotter	66	15X82Z	Hex Nut
24	17X102Z	Washer	67	15X84Z	Flange Nut
25	22711	Wheel & Tire	68	22352	Chute Deflector
26	26X185	Screw	69	28X42	Push-On-Cap
27	22631	Dust Cover	70	22052	Torsion Spring
28	11X1	Retainer Ring	71	22326Z	Pivot Pin
29	22677Z	Axle Bracket Ass'y-L.H.	72	1X85Z	Bolt
29A	22676Z	Axle Bracket Ass'y-R.H.	73	22690	Hub Cap
30	22670Z	Height Adjuster Lock	74	22592C	Lower Handle
31	22628	Grip	75	22550	Cable Clips
32	22679	Cover	76	20266	Handle Knob
33	22627	Spring	77	20129	Contour Bolt
34	20053Z	Spacer	78	22691C	Upper Handle
35	17X52Z	Washer	79	3X97Z	Bolt
36	20101	Hair Pin Cotter	80	400167	Throttle Control
37	22673Z	Index Plate L.H.	81	15X66	Keps Nut
37A	22672Z	Index Plate R.H.	82	22655Z	Clutch Lever
38	2X39	Bolt	83	22653Z	Handle Bracket
39	22625	Bearing	84	26X181	Screw
40	22629Z	Bearing Retainer	85	22649	Clutch Cable
41	15X89Z	Flange Nut	86	17X46Z	Washer
42	19X4	Shakeproof Washer		22728	Parts Bag
43	22666Z	Transmission Plate		22338	Engine Shroud (Not Shown)
44	1X100	Hex Bolt		22334	Shroud Insert (Not Shown)
				26X159	Tap Screw (Not Shown)