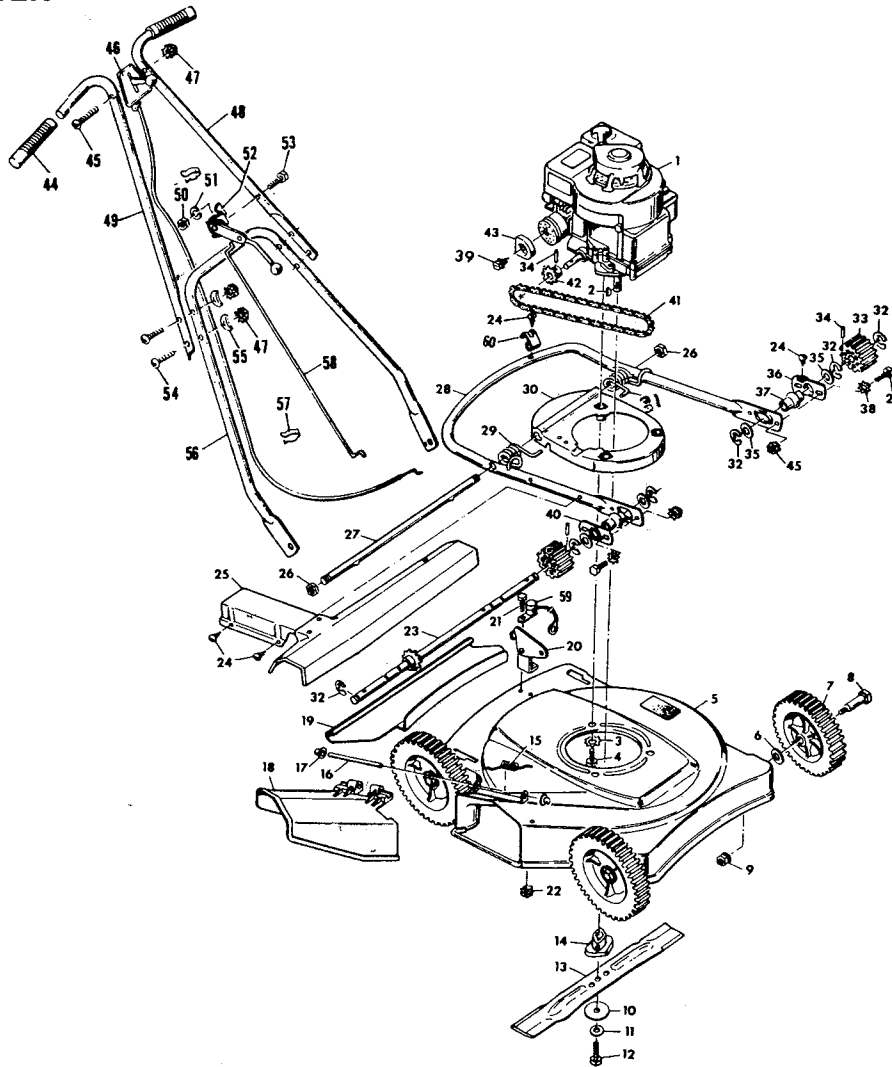


**MODEL 7-2251 SELF-PROPELLED
ROTARY MOWER**



KEY NO.	MODEL 7-1801 PART NO.	DESCRIPTION	KEY NO.	MODEL 7-1801 PART NO.	DESCRIPTION	KEY NO.	MODEL 7-1801 PART NO.	DESCRIPTION
1	----	Engine	21	1X38Z	Hex Nut	41	20108	Chain & Link
2	20062	Woodruff Key	22	15X82	Hex Nut	42	20411	Engine Sprocket
3	19X8	Shakeproof Washer	23	22151Z	Drive Shaft & Spkt. Assy.	43	20459	Exhaust Deflector
4	20102	Engine Bolt	24	26X159	Self-Tapping Screw	44	20171	Grip
5	22072	Housing Assy.	25	400153	Pinion & Chain Guard Assy.	45	3X142	Bolt
6	10851Z	Washer	26	15X64	Hex Nut	46	22058	Control & Cable Assy.
7	20105	Wheel & Tire Assy.	27	20085Z	Pivot Shaft	47	15X66	Keps Nut
8	20086	Axle Bolt	28	20012C	Drive Arm	48	20061C	Upper Handle L-H
9	15X68	Flanged Locknut	29	20067Z	Torsion Spring R-H	49	20060C	Upper Handle R-H
10	20094Z	Washer	30	20054E	Base & Spacer Assy.	50	15X2	Hex Nut
11	18X31	Cup Washer	31	20068Z	Torsion Spring L-H	51	18X16	Lock Washer
12	1X69	Blade Adapter Bolt	32	20100	Retainer Ring	52	20444	Drive Control Assy.
13	20046	Blade	33	20066	Drive Pinion	53	6X61	Hex Bolt
14	20051	Blade Adapter	34	32X64	Spring Pin	54	3X136	Bolt
15	22052	Torsion Spring	35	17X100Z	Washer	55	20087	Formed Washer
16	22050Z	Pivot Pin	36	20375Z	Bearing Retainer	56	20392C	Lower Handle Assy.
17	28X42	Push-On-Cap	37	20048	Bearing	57	22550	Cable Clip
18	20454	Chute Deflector	38	19X4	Shakeproof Washer	58	22530Z	Actuating Rod
19	407018	Rear Guard Panel	39	20460	Exhaust Deflector Screw	59	22496	Safety Interlock Module
20	22528	Brkt. & Pivot Arm Assy.	40	20049Z	Bearing Retainer		22068	Parts Bag.