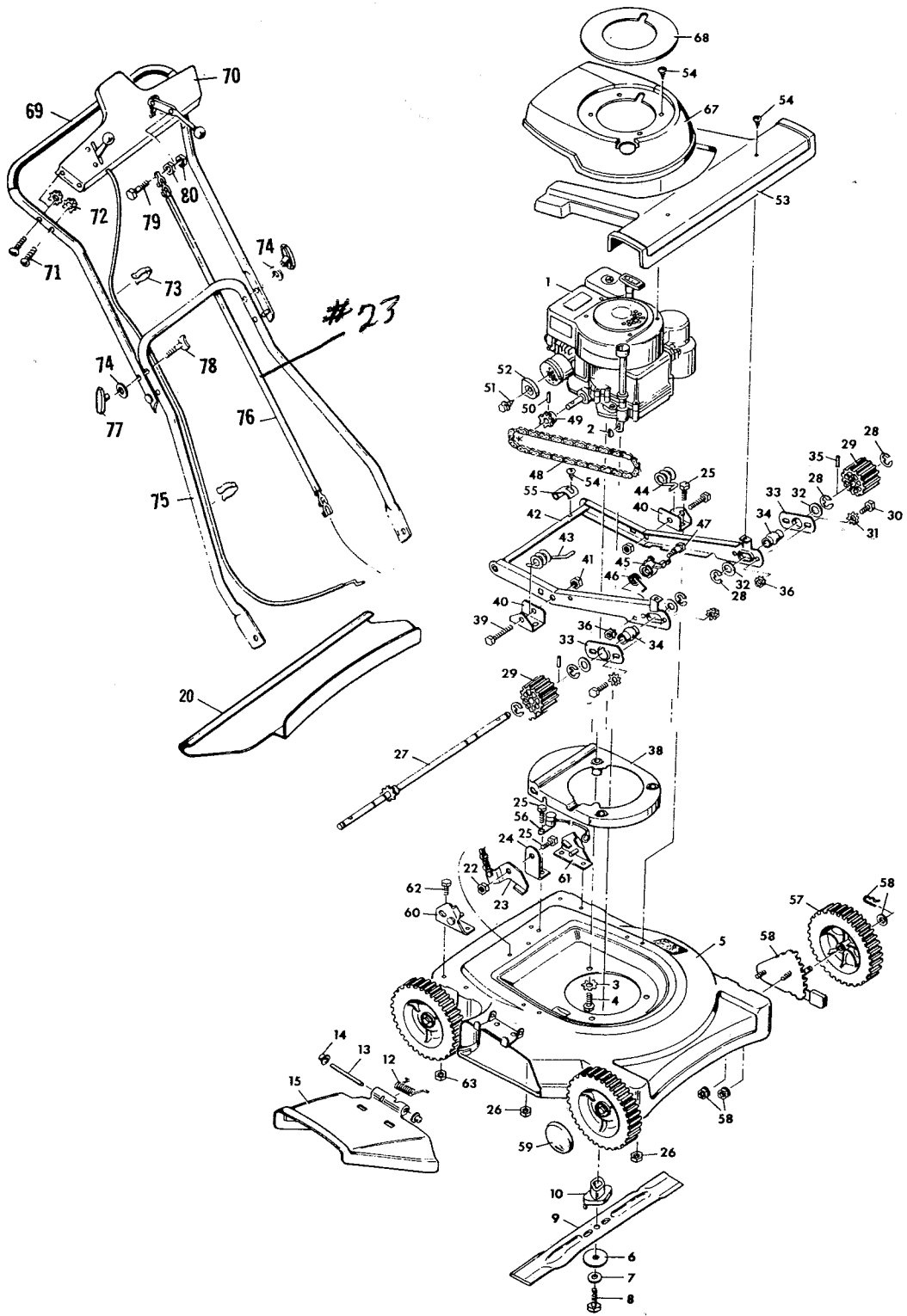


**Model 6-2263 22" Deluxe  
Rotary Mower**



**Model 6-2263**

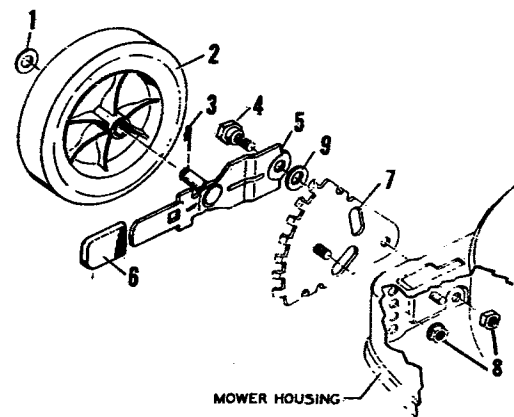
Key No.	6-2263	Description	Key No.	6-2263	Description
1	----	Engine	42	22272E	Drive Arms & Tube Ass'y.
2	20062	Woodruff Key	43	22322Z	Torsion Spring R.H.
3	19X8	Shakeproof Washer	44	22323Z	Torsion Spring L.H.
4	20102	Engine Bolt	45	22398	Chain Guide
5	22431	Housing	46	22399	Spring
6	20094Z	Washer	47	20478	Shoulder Bolt
7	18X31	Cup Washer	48	22279	Chain & Link
8	1X69	Blade Bolt 3/8-24X2-3/8 (Minimum Thread 1")	49	20411	Sprocket
9	20046	Blade	50	32X64	Spring Pin
10	20051	Blade Adapter	51	20460	Screw # 8-32
12	22052	Torsion Spring	52	20459	Exhaust Deflector
13	22326Z	Pivot Pin	53	22328	Pinion Guard
14	28X42	Push-On-Cap	54	26X159	Screw
15	22352	Chute Deflector	55	22497	Safety Interlock Bracket
20	22359	Rear Guard	56	22496	Safety Interlock Module
22	15X43	Hex Nut	57	20105	Wheel & Tire
23	<del>400187</del>	Pivot Arm	58	400148	Wheel Adjuster Ass'y.*
24	22277Z	Bracket	59	20090	Hub Cap
25	1X45	Bolt	60	20198Z	Handle Bracket R.H.
26	15X79	Hex Nut	61	20199Z	Handle Bracket L.H.
27	22152Z	Drive Shaft & Sprocket Ass'y.	62	1X38	Hex Bolt 1/4-20X5/8
28	20100	Retainer Ring	63	15X82	Hex Nut
29	20066	Drive Pinion	67	22338	Engine Shroud
30	1X38	Bolt 1/4-20X5/8	68	22334	Shroud Insert
31	19X4	Shakeproof Washer	69	20247C	Upper Handle Assembly
32	17X100Z	Washer	70	400169	Control Panel & Cable Assembly
33	20049Z	Bearing Retainer	71	3X136	Bolt
34	20048	Bearing	72	15X66	Keps Nut
35	32X64	Spring Pin	73	20089	Cable Clips
36	15X66	Keps Nut	74	17X46Z	Washer
38	20054E	Base & Spacer Ass'y.	75	20191C	Lower Handle Assembly
39	1X87	Hex Bolt	76	400187	Chain & Bracket
40	22278Z	Bracket	77	20266	Handle Knob
41	15X12	Hex Nut	78	20129	Contour Bolt
			79	20412	Bolt
			80	15X1	Hex Nut
				22466	Parts Bag

⊕ 22539 LOWER BRACKET + CABLE + PIVOT ASSY.

\*Note: See page 10 for parts list for 400148 wheel adjuster assembly.

**Wheel Adjuster Assembly  
Model 400148**

Key No.	Model 400148 Part No.	Description
1	17X102	Washer
* 2	----	Wheel & Tire
3	20101	Hair Pin Cotter
4	22193	Shoulder Bolt
5	22208Z	Arm & Axle Assembly
6	22196	Lever Spring Knob
7	20113Z	Index Plate Assembly
8	15X68	Flange Locknut
9	22192	Spring Washer



\* Not Included In Assembly.