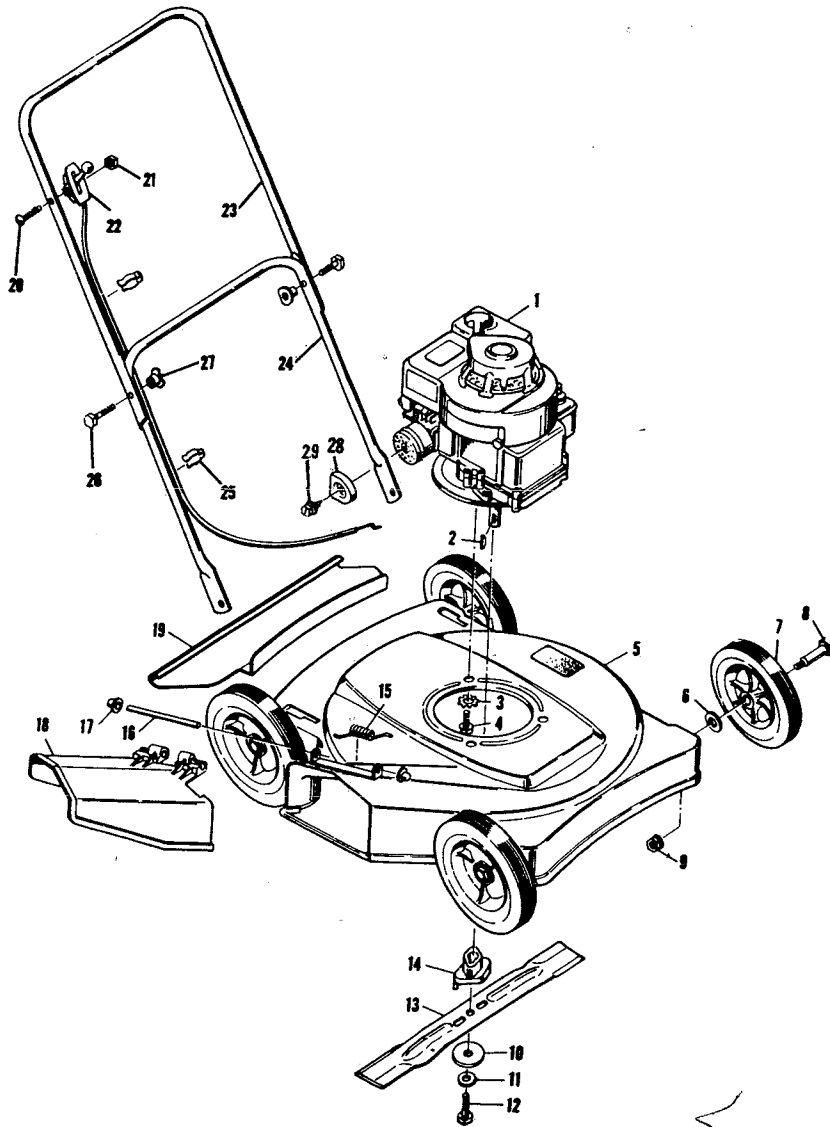


**Model 6-2001 20" Equipped
Rotary Mower**



Key No.	Model 6-2001 Part No.	Description	Key No.	Model 6-2001 Part No.	Description
1	-----	Engine	16	22050Z	Pivot Pin
2	20062	Woodruff Key	17	28X42	Push-On-Cap
3	19X8	Shakeproof Washer	18	20454	Chute Deflector
4	20103	Engine Bolt	19	20451	Rear Guard Panel
5	22074	Housing Assy.	20	3X99	Bolt
6	10851Z	Washer	21	15X66	Keys Nut
7	20270	Wheel & Tire	22	22058	Control Assy.
8	20086	Axle Bolt	23	20437C	Upper Handle Assy.
9	15x68	Flange Locknut	24	20438C	Lower Handle Assy.
10	20094Z	Washer	25	22550	Cable Clip
11	18X31	Cup Washer	26	20412	Bolt
12	1X68	Blade Adapter Bolt	27	20410	T-Nut
13	20045	Blade	28	20459	Exhaust Deflector
14	20050	Blade Adapter	29	20460	Exhaust Deflector Screw
15	22052	Torsion Spring		22062	Parts Bag