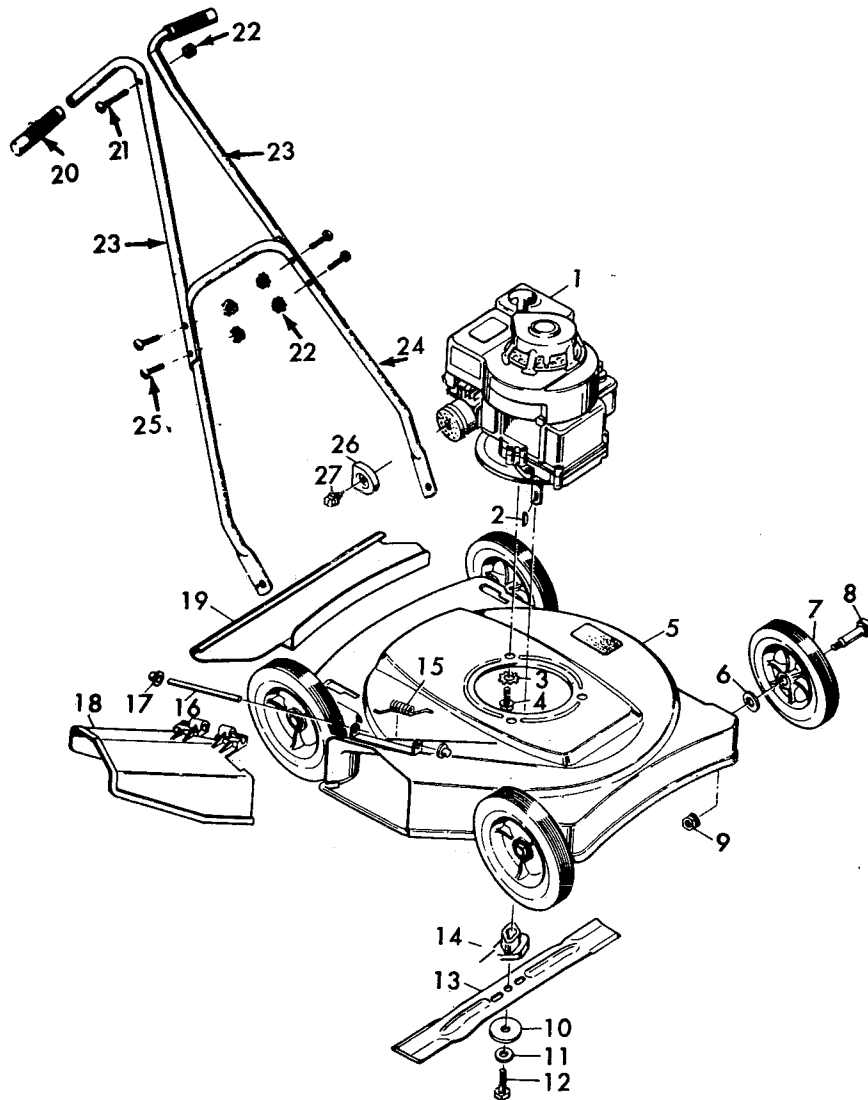


**Model 6-1801 18" Equipped
Rotary Mower**



Key No.	Model 6-1801 Part No.	Description	Key No.	Model 6-1801 Part No.	Description
1	----	Engine	15	22052	Torsion Spring
2	20062	Woodruff Key	16	22050Z	Pivot Pin
3	19X8	Shakeproof Washer	17	28X42	Push-On-Cap
4	20103	Engine Bolt	18	20454	Chute Deflector
5	22070	Housing Assy.	19	20450	Rear Guard Panel
6	10851Z	Washer	20	20718	Grip
7	22127	Wheel & Tire	21	3X105	Bolt
8	20086	Axle Bolt	22	15X66	Keps Nut
9	15X68	Flange Locknut	23	20307C	Upper Handle R.H. & L.H
10	20094Z	Washer	24	20308C	Lower Handle Assy.
11	18X31	Cup Washer	25	3X97	Bolt
12	1X68	Blade Adapter Bolt	26	20459	Exhaust Deflector
13	20059	Blade	27	20460	Exhaust Deflector Screw
14	20050	Blade Adapter		20370	Parts Bag