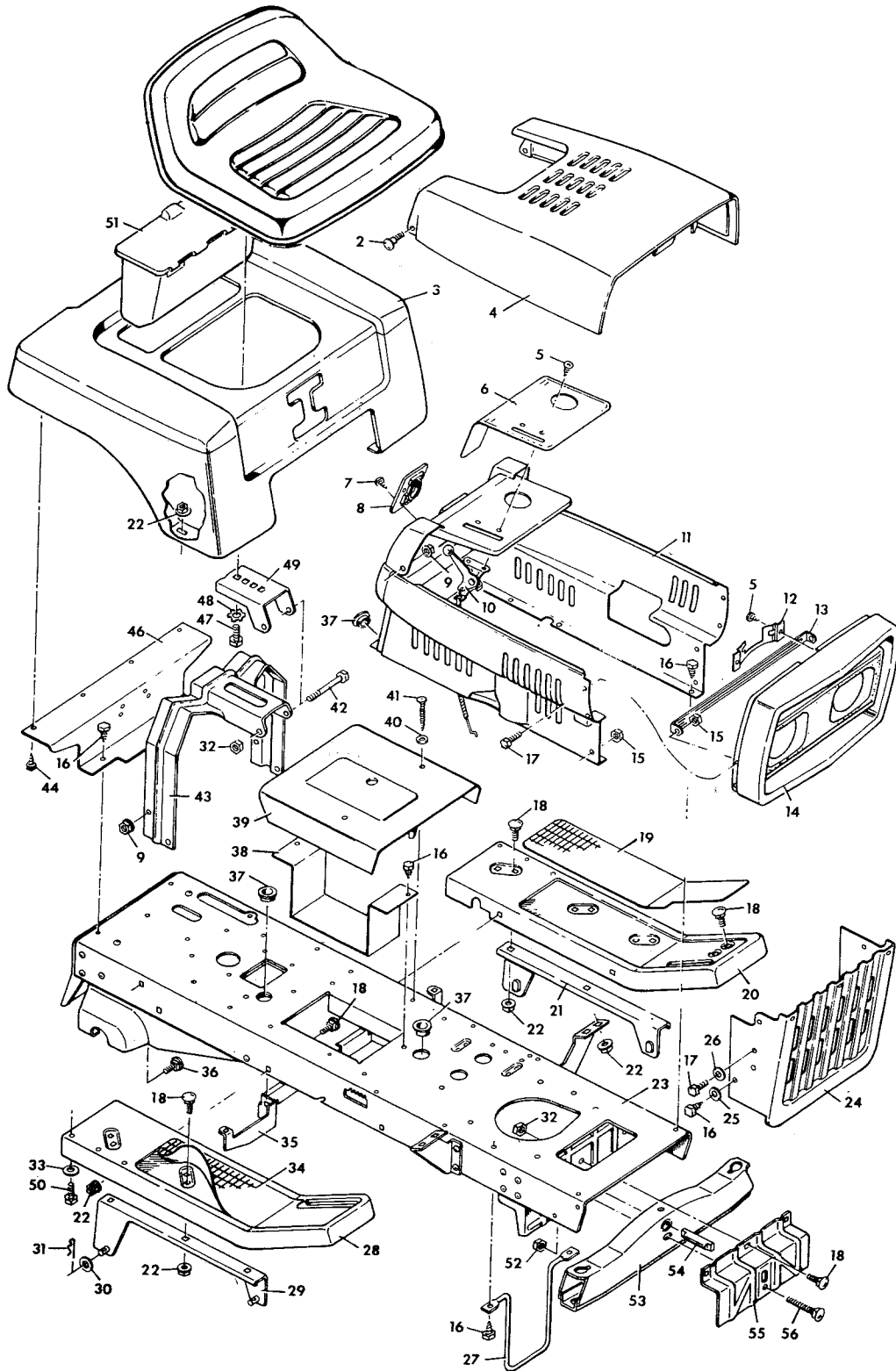


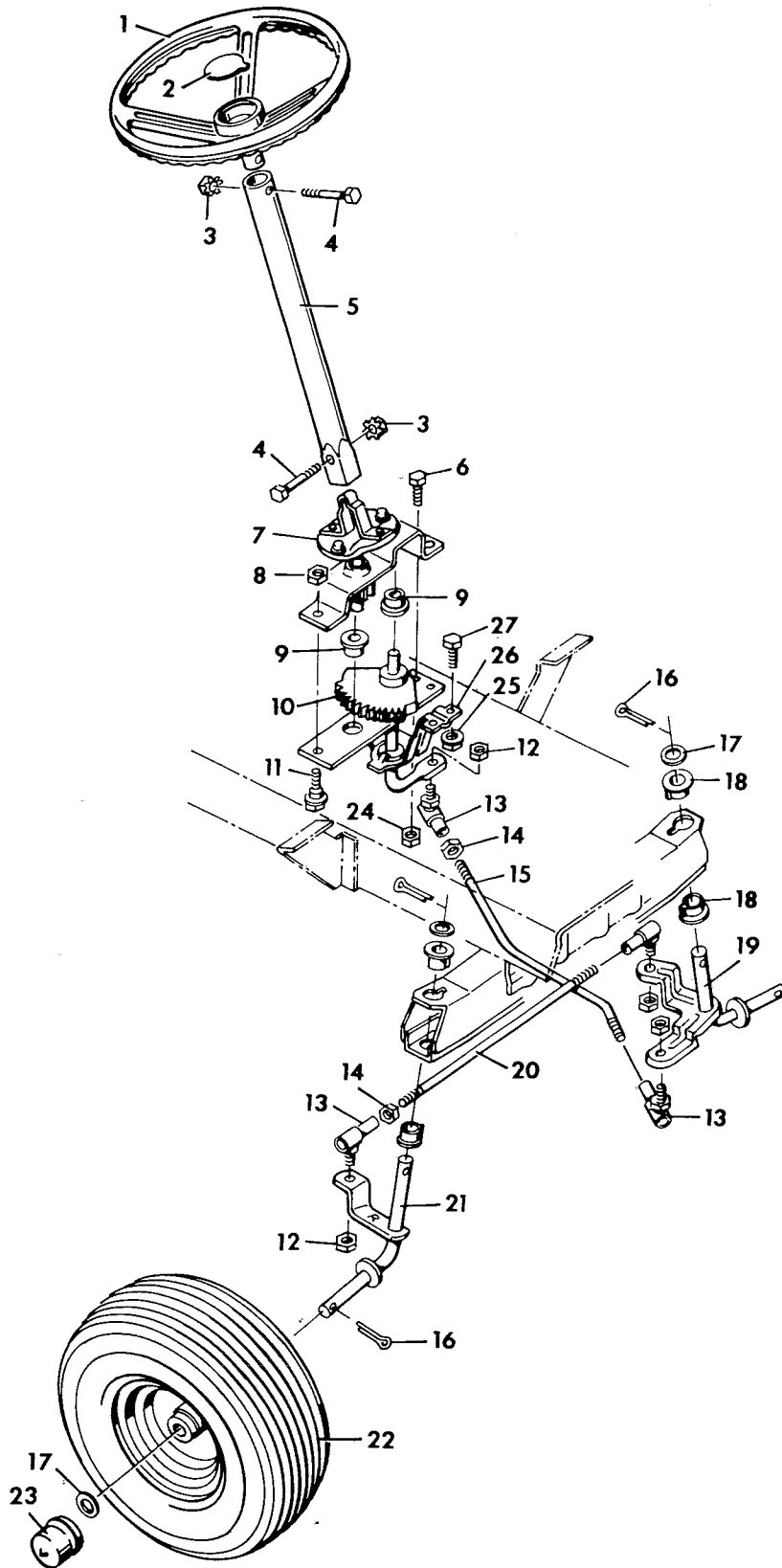
### Model 5-3696 and 5-3697 Tractor Mower - Body Section



**Model 5-3696  
and 5-3697**

Key No.	Part No.	Description
1	21811	Seat
2	20661	Shoulder Bolt 3/8"-16X7/8"
3	21418	Rear Shroud Ass'y.
4	21435	Hood
5	26X159	Screw #8X3/8" Type A
6	21691	Control Plate
7	26X186	Screw #10X 1/2" Type AB
8	21531	Steering Post Bearing
9	15X68	Flange Nut 3/8"-16
10	21540PA	Remote Control Unit
11	21458	Engine Shroud Ass'y.
12	21485Z	Sealed Beam Retainer
13	21650Z	Grille & Shroud Brace
14	21406	Grill
15	15X82	Lock Nut 1/4"-20
16	26X174	Screw 5/16"X3/8" Type A
17	1X38	Bolt 1/4"-20X5/8"
18	2X53	Carriage Bolt 5/16"-18X4 3/4"
19	21569	Mat L.H.
20	21437	Running Board L.H.
21	21561	Hanger Bracket Ass'y. L.H.
22	15X79	Flange Nut 5/16"-18
23	403030	Frame Ass'y.
24	21446	Lower Grill
25	17X47Z	Washer
26	17X37Z	Washer
27	21481Z	Belt Guide
28	21436	Running Board R.H.
29	21562	Hanger Bracket Ass'y. R.H.
30	17X67Z	Washer
31	20692	Cotter Hair Pin
32	15X43Z	Locknut 5/16"-18
33	17X47Z	Washer
34	21568	Mat R.H.
35	21547	Support & Clip Ass'y.
36	2X56	Carriage Bolt 3/8"-16X 3/4"
37	21268	Grommet
38	21430	Battery Support
39	21403	Battery Cover
40	17X112	Finishing Washer
41	26X193	Screw #10X3-1/8" Type AB
42	1X78	Bolt 5/16"-18X4 1/4"
43	21438	Seat Bracket
44	26X185	Screw #10X 1/2" Type AB
46	21411	Shroud Support
47	1X88	Bolt 1/2"-13X7/8"
48	19X36	Shakeproof Washer
49	21439Z	Seat Hinge
50	1X45	Bolt 5/16"-18X5/8"
51	21404	Tool Box
52	15X12	Lock Nut 3/8-16
53	21441	Front Axle Ass'y.
54	21442	Front Axle Spacer
55	21534	Front Axle Hanger
56	2X60	Carriage Bolt 3/8-16X3"

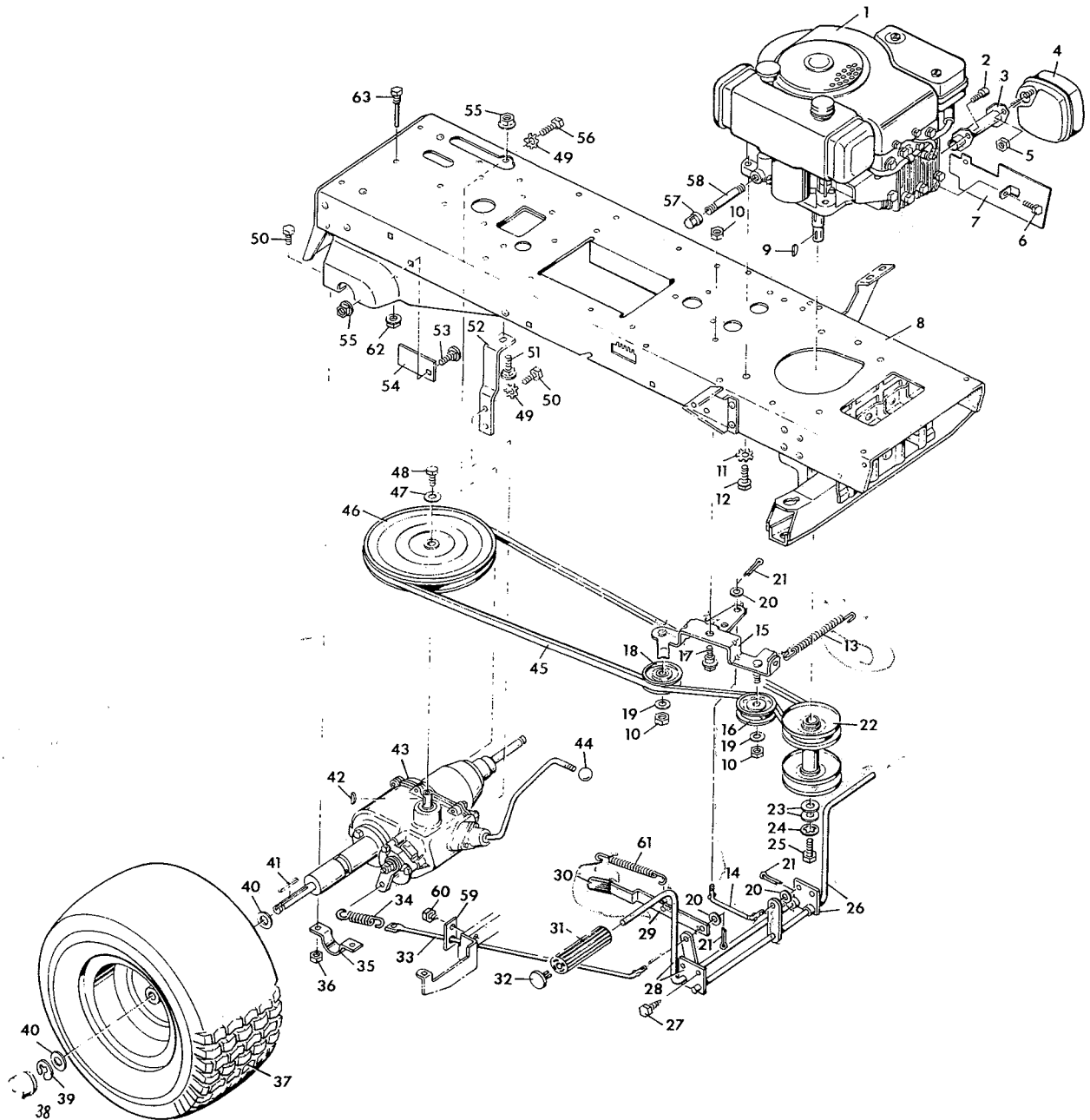
**Model 5-3696 and 5-3697**  
**Steering Section**



**Model 5-3696 and 5-3697**

Key No.	Part No.	Description
1	21688	Steering Wheel
2	21303	Steering Wheel Cap
3	15X76	Lock Nut 5/16"-18
4	1X75	Bolt 5/16"-18X1 3/4"
5	21486C	Steering Post
6	1X73	Screw 5/16"-18X7/8"
7	21493	Steering Gear & Coupling Ass'y.
8	15X12	Locknut 3/8"-16
9	20587	Bearing
10	21692	Steering Arm Gear & Brkt. Ass'y.
11	21426	Shoulder Bolt
12	15X77	Locknut 3/8"-24
13	21031	Ball Joint
14	15X61	Hex Nut 3/8"-24
15	21482	Drag Link Rod
16	30X49	Cotter Pin 1 1/2"
17	17X83Z	Washer
18	21401	Spindle Bearings
19	21476	Spindle Ass'y. L.H.
20	21475	Tie Rod Ass'y.
21	21479	Spindle Ass'y. R.H.
22	21527	Front Wheel & Tire
	403000	Wheel Only
	403001	Tire Only
	400162	Valve Stem & Cap
	403010	Front Wheel Bearing
23	21662	Hub Cap
24	15X43	Locknut 5/16"-18
25	15X79	Flange Nut 5/16-18
26	21693	Steering Brkt.
27	1X45	Bolt 5/16-18X5/8"
28	17X115	Washer
	21622	Parts Bag

**Model 5-3696 and 5-3697**  
**Drive Section**

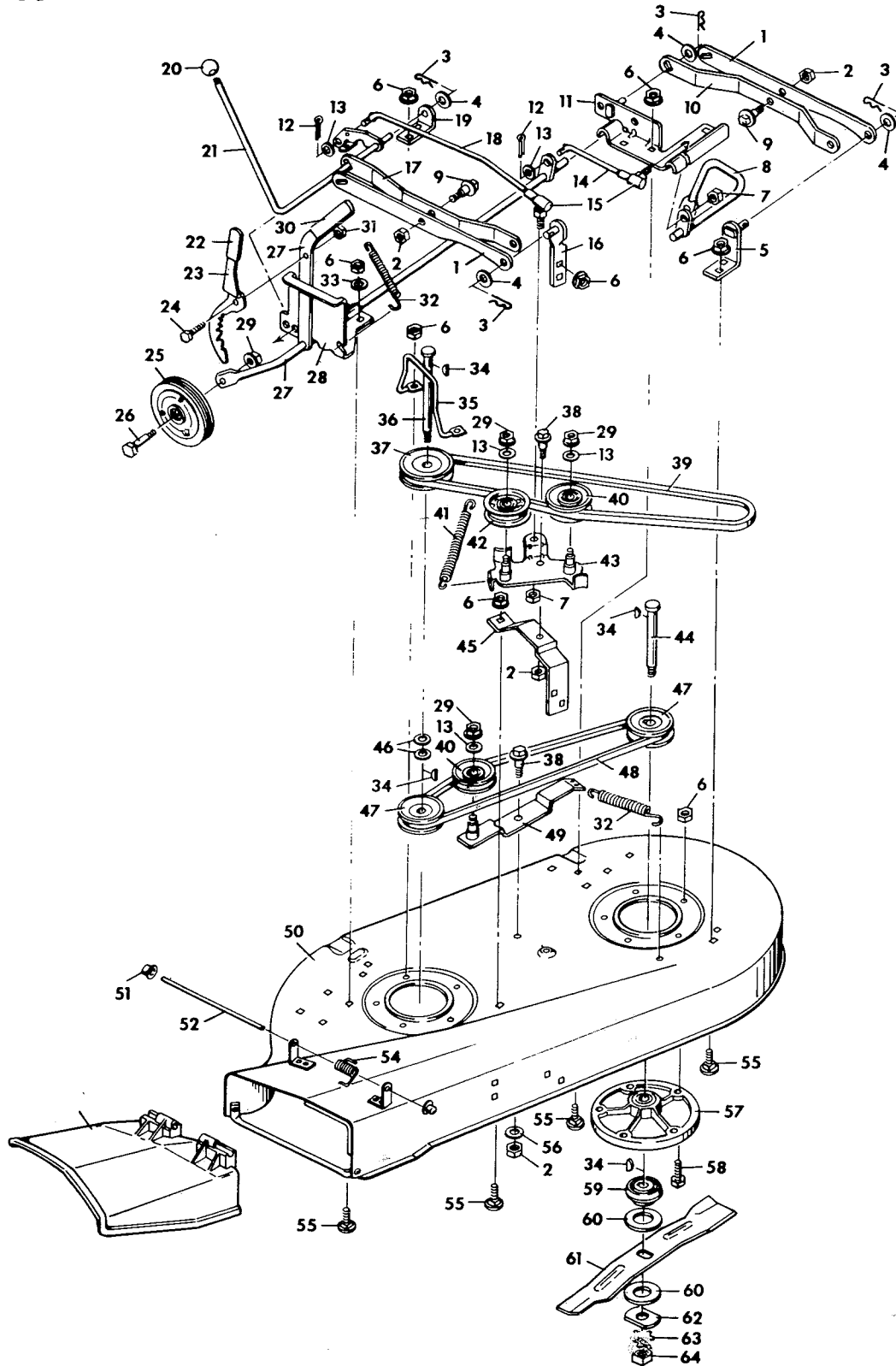


**Model 5-3696 and 5-3697**

Key No.	Part No.	Description	Key No.	Part No.	Description
1	----	Engine	34	21675	Spring
2	6X66	Hex Socket Screw 1/4"-20X5/8"	35	21473	Transaxle Clamp
3	21630	Muffler Extension Ass'y.	36	15X43Z	Hex Nut 5/16"-18
4	----	Muffler*	37	21526	Wheel & Tire
5	15X66	Hex Nut 1/4"-20		403004	Rim Only
6	1X38	Hex Bolt 1/4"-20X5/8"		403005	Tire Only
7	21663Z	Heat Shield		400162	Valve Stem & Cap
8	403030	Frame Ass'y.	38	21662	Hub Cap
9	20062	Woodruff Key #6	39	21432	E-Ring
10	15X12	Hex Nut 3/8"-16	40	21521	Washer
11	19X8	Shakeproof Washer	41	21553	Square Key
12	20103	Engine Bolt 3/8"-16X1"	42	21539	Woodruff Key
13	20684	Spring	43	21523	Transaxle
14	<del>21681</del>	Clutch Link Rod	44	20844	Knob
15	21428	Idler Bracket & Stud Ass'y.	45	21615	Drive Belt
16	21409	Idler Pulley	46	21447	Input Pulley
17	21426	Shoulder Bolt 3/8"-16X7/8"	47	18X30	Lockwasher
18	20613	Idler Pulley	48	1X38Z	Bolt 1/4"-20X5/8"
19	17X53Z	Washer	49	18X15	Shakeproof Washer
20	17X47Z	Washer	50	1X73	Bolt 5/16"-18X7/8"
21	30X20	Cotter Pin 3/4"	51	2X57	Carriage Bolt 3/8"-16X7/8"
22	21415Z	Stack Pulley	52	21440	Transaxle Support Bracket
23	10851Z	Washer	53	2X56	Carriage Bolt 3/8"X16X3/4"
24	19X39	Shakeproof Washer	54	21683	Belt Guide
25	1X20	Bolt 3/8"-24X1"	55	15X68	Flange Nut 3/8"-16
26	21466	Clutch Lever Ass'y.	56	1X84	Bolt 5/16"-18X1"
27	26X197	Screw 5/16"X3/4" Type A	57	21651	Cap
28	21464	Brake Lever Ass'y.	58	21652	Oil Drain Extension
29	21484Z	Parking Brake Arm	59	21678	Brake Rod Support
30	21434	Grip	60	26X186	Screw #10X1/2" Type AB
31	21544	Pedal	61	20682	Spring
32	21535	Cap	62	15X79	Flange Nut
33	21472Z	Brake Rod	63	20619	Belt Guide

# NOTE: Transaxle parts available through Tecumseh dealer's only.  
Complete illustration of transaxle shown on page 97 and 98.

**Model 5-3696**  
**Model 5-3697**  
**Blade Housing Assy.**  
**No. 400203**

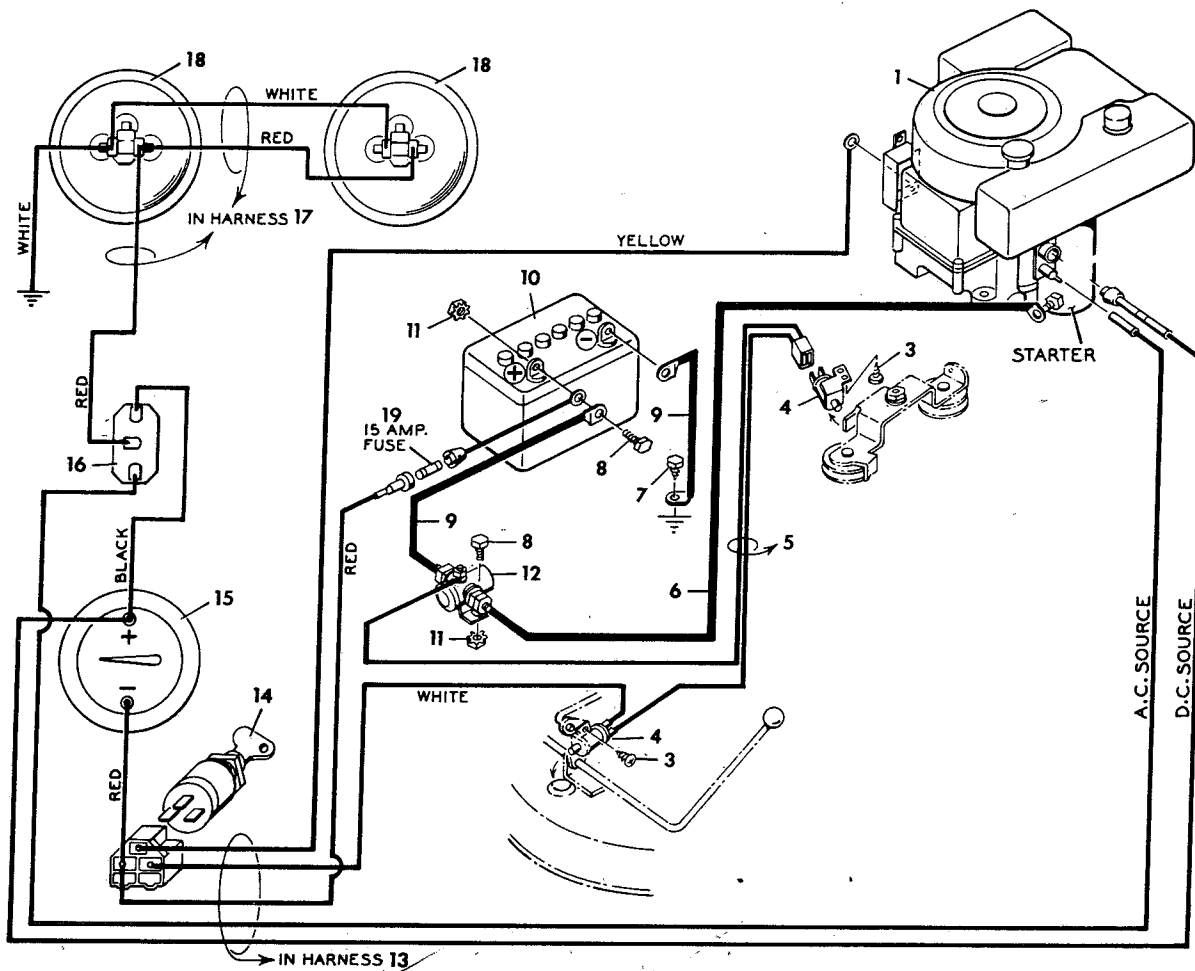


**Model 5-3696  
and 5-3697**

Key No.	Part No.	Description	Key No.	Part No.	Description
1	20644	Outer Scissor Arm	33	17X47Z	Washer 5/16"-18
2	15X84	Hex Nut 3/8"-16	34	20062	Woodruff Key #6
3	20692	Hair Pin Cotter	35	21504Z	Belt Guide
4	17X67	Washer	36	21024	Jackshaft - Long
5	21529	Scissor Bracket Ass'y.	37	21096	Jackshaft Pulley
6	15X43Z	Flange Nut 5/16"-18	38	21426	Shoulder Bolt 3/8"-16X7/8"
7	15X77	Locknut 3/8"-24	39	21649	Blade Drive Belt
8	21506	Lifter Ass'y. L.H.	40	20613	Idler Pulley
9	21602	Shoulder Bolt 3/8"-16X7/8"	41	20684	Idler Spring
10	20643	Inner Scissor Arm L.H.	42	21409	Idler Pulley
11	21511	Scissor & Pivot Rod Brkt. Ass'y.	43	21503	Blade Drive Idler Ass'y.
12	30X20	Cotter Pin 3/4"	44	20616	Jackshaft Short
13	17X53	Washer	45	21496	Idler Support Brkt.
14	21510	Adjustment Link Rod	46	17X87Z	Washer
15	21031	Ball Joint	47	21022	Jackshaft Pulleys
16	21018	Scissor Brkt. Ass'y.	48	20557	Cross Drive Belt
17	20642	Inner Scissor Arm R.H.	49	21139Z	Idler Brkt. Ass'y.
18	21517	Link Rod	50	400188	Blade Housing
19	20934	Scissor Hanger Brkt.	51	28X23	Push-On-Cap
20	20739	Knob	52	21198Z	Pivot Rod
21	21515C	Blade Drive Lever Ass'y.	53	21828	Chute Deflector
22	20476	Grip	54	21189	Torsion Spring
23	21591Z	Latch	55	2X53	Carriage Bolt 5/16"-18X 3/4"
24	6X46	Shoulder Bolt 1/4"-20X37/64"	56	10851	Washer
25	21027	Gauge Wheel	57	20551	Jackshaft Housing Ass'y.
26	20086	Axle Bolt 3/8"-16X2"	58	1X84	Bolt 5/16"-18X1"
27	21508	Lifter Ass'y. R.H.	59	20617	Blade Adapter
28	21500	Lifter Brkt.	60	21673Z	Blade Washer
29	15X68	Flange Nut 3/8"-16	61	20930	Blade
30	21249	Grip	62	20663Z	Blade Washer
31	15X67	Hex Nut 1/4"-20	64	18X27	Lock Washer
32	20682	Spring	64	15X72	Hex Nut 1/2"-20



**Model 5-3696  
and 5-3697  
Wiring Diagram**



Key No.	Part No.	Description
1	----	Engine
3	26X159	Screw #8X3/8" Type A
4	21549	Safety Switch
5	21612	Jumper Wire
6	21577	Battery Cable
7	26X174	Screw 5/16" X 3/4"
8	1X38	Hex Bolt. 1/4"-20X5/8"
9	21613	Battery Cable
10	21075	Battery
11	15X66	Keps Nut 1/4"-20
12	21261	Solenoid
13	21609	Wiring Harness
14	21571PA	Switch & Key Assembly
---	20756	Key - Only
15	21057PA	Ammeter Ass'y.
16	21686PA	Light Switch
17	21687	Wiring Harness
18	20837	Seal Beam Light
19	21023	Fuse 15 amp.
	20756	Key Only