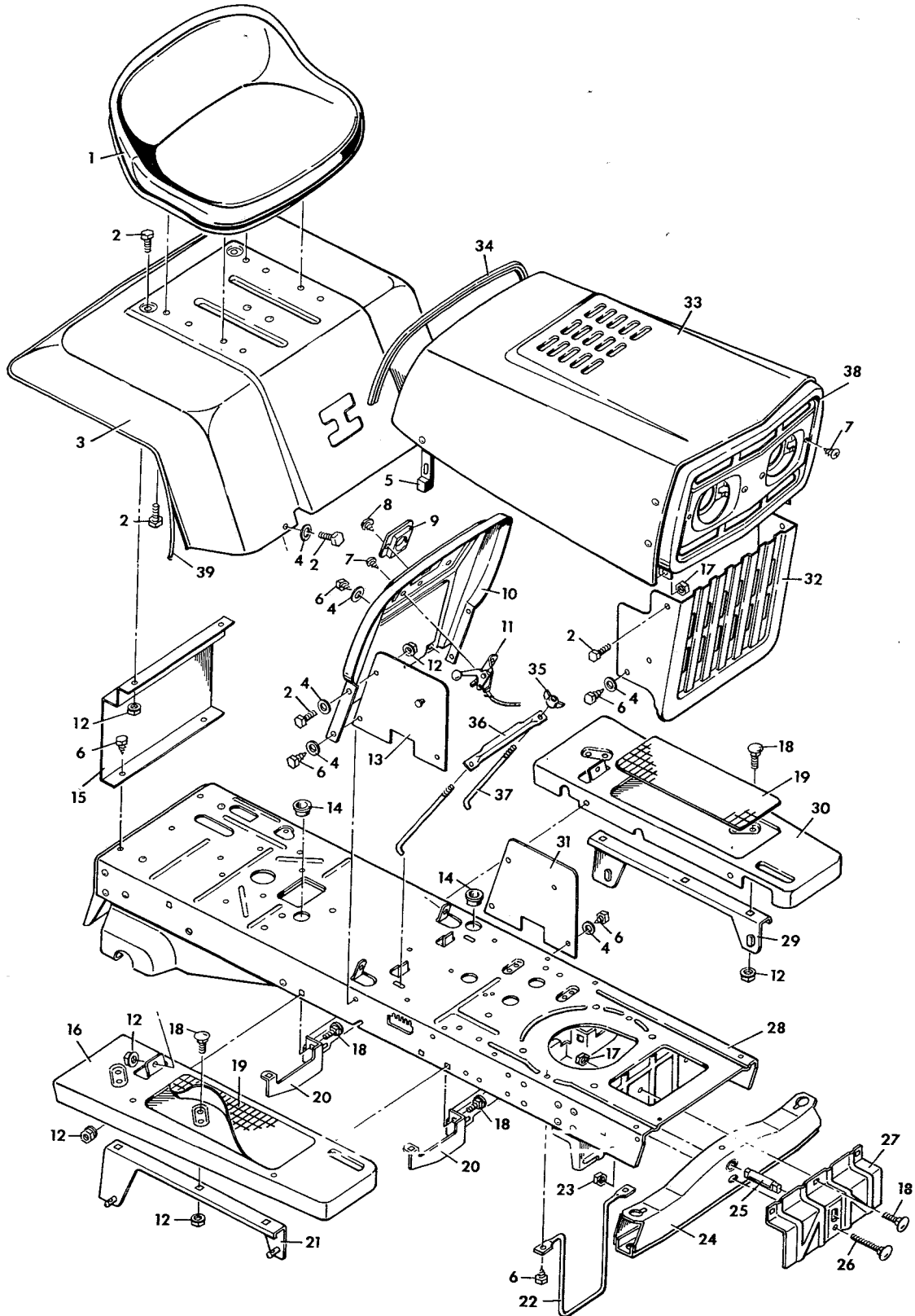


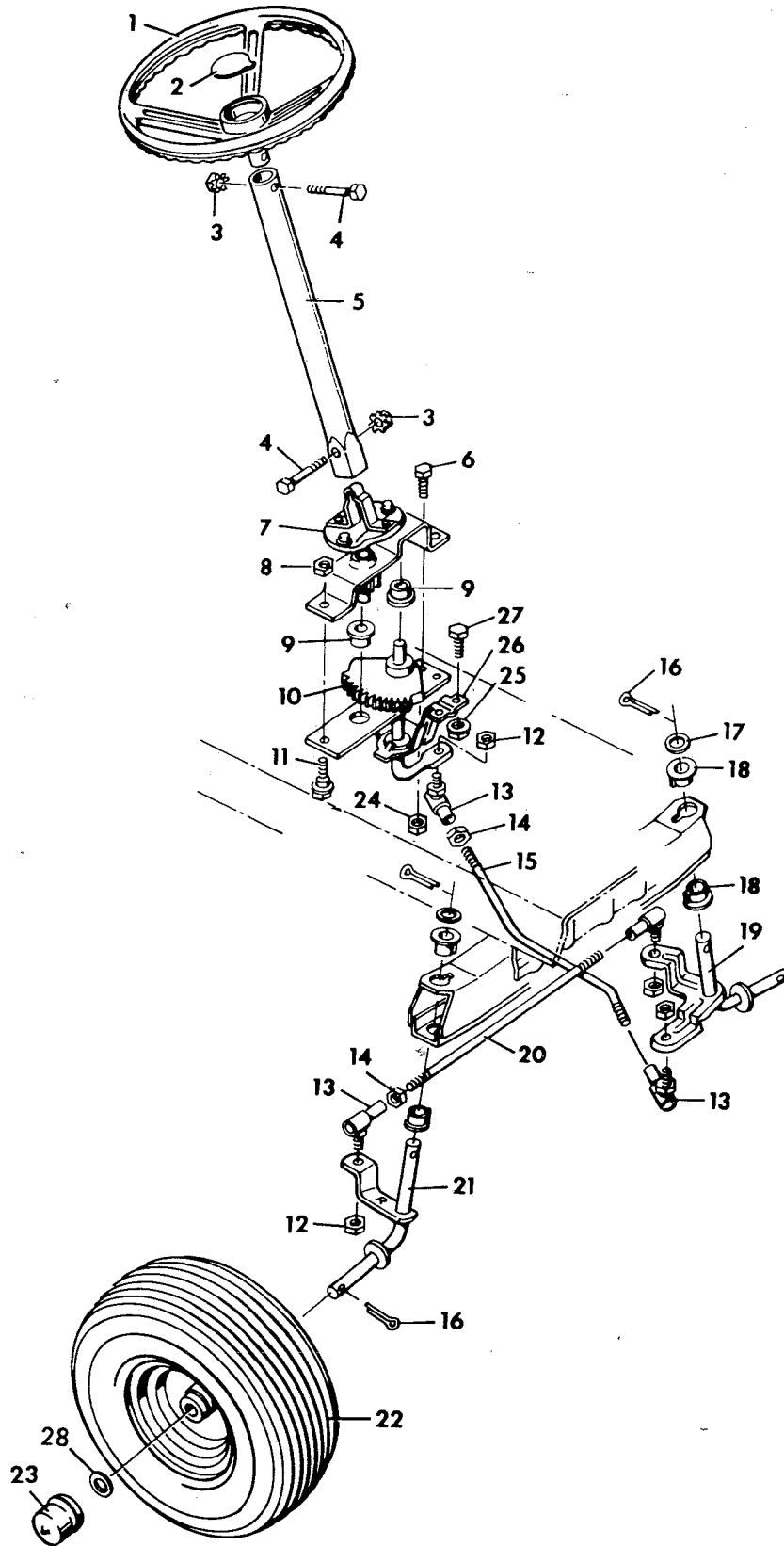
**Model 5-3666 and 5-3667**  
**Tractor Mower - Body Section**



**Model 5-3666  
and 5-3667**

Key No.	Part No.	Description
1	21689	Seat
2	1X45	Bolt 5/16"-18X5/8"
3	21700	Rear Shroud
4	17X47Z	Washer
5	21738	Hood Latch
6	26X50	Screw 5/16X5/8 Type B
7	26X159	Screw #8X3/8" Type A
8	26X186	Screw #10X1/2" Type AB
9	21707	Steering Post Bearing
10	21709	Control Panel
11	21540PA	Remote Control
12	15X79Z	Flange Nut 5/16"-18
13	21740	Side Plate R.H.
14	21268	Grommet
15	21714	Rear Shroud Support
16	21716	Running Board R.H.
17	15X43	Lock Nut 5/16"-18
18	2X53	Carriage Bolt 5/16"-18X5/8"
19	21710	Rubber Mat
20	21547	Running Board Support
21	21562	Hanger Bracket R.H.
22	21481Z	Belt Guide
23	15X84	Lock Nut 3/8"-16
24	21441	Front Axle Ass'y.
25	21469	Pivot Pin
26	2X60	Carriage Bolt 3/8"-16X3"
27	21534	Front Axle Hanger
28	403026	Frame Ass'y.
29	21561	Hanger Bracket L.H.
30	21717	Running Board L.H.
31	21741	Side Plate L.H.
32	21713	Lower Grill
33	21708	Hood
34	21765	Edge Trim
35	14X79	Wing Nut
36	21761	Battery Clamp
37	21762	Battery Clamp Rod
38	400201	Upper Grill w/Light
39	21789	Edge Trim

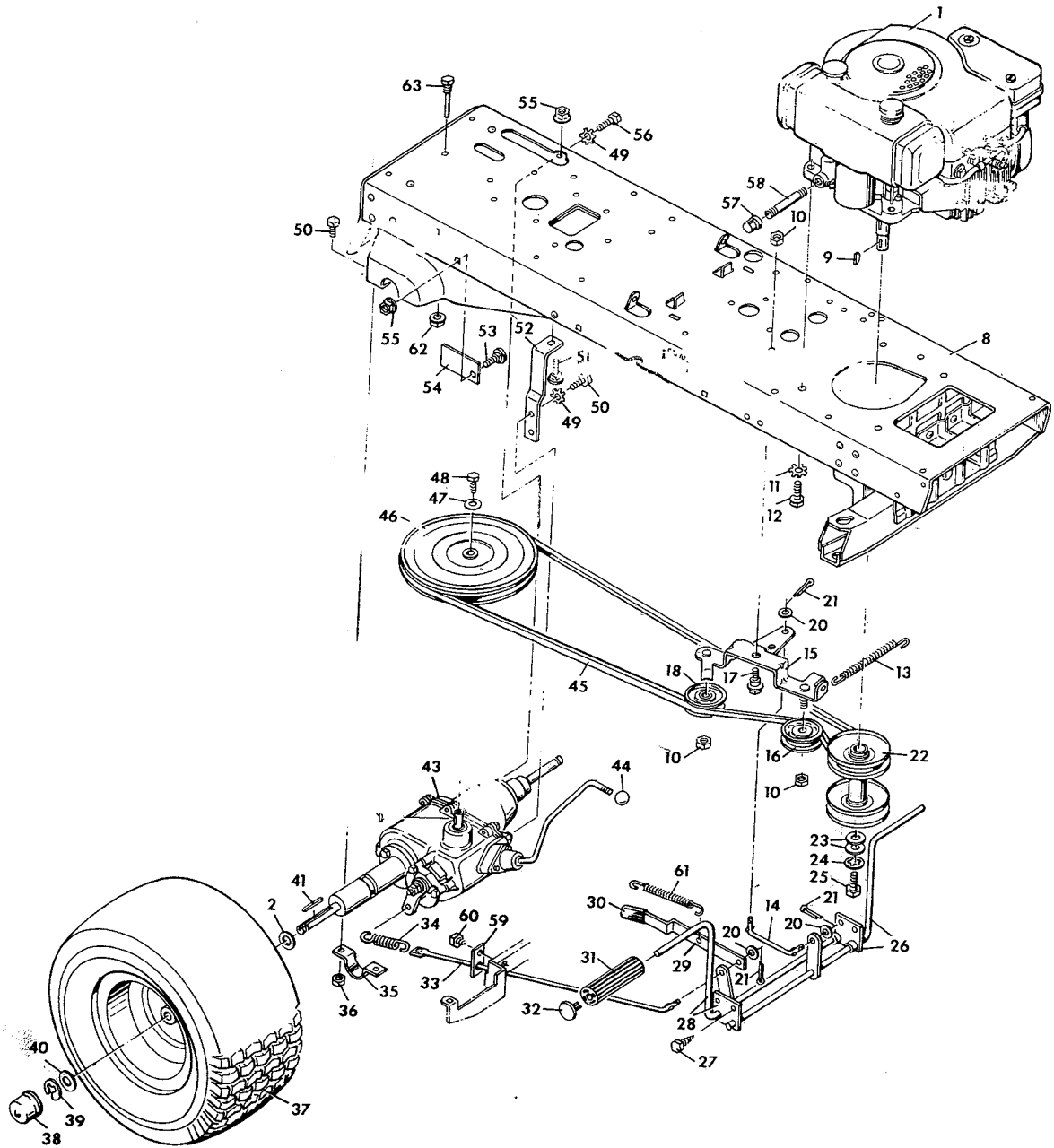
**Model 5-3666 and 5-3667**  
**Steering Section**



**Model 5-3666  
and 5-3667**

Key No.	Part No.	Description
1	21688	Steering Wheel
2	21303	Steering Wheel Cap
3	15X76	Keps Nut 5/16"-18
4	1X75	Bolt 5/16"-18X1 3/4"
5	21486C	Steering Post
6	1X73Z	Screw 5/16"-18X7/8"
7	21493	Steering Gear & Coupling Ass'y.
8	15X84	Locknut 3/8"-16
9	20587	Bearing
10	21692	Steering Arm Gear & Brkt. Ass'y.
11	21426	Shoulder Bolt
12	15X77	Locknut 3/8"-24
13	21031	Ball Joint
14	15X61	Hex Nut 3/8"-24
15	21482	Drag Link Rod
16	30X49	Cotter Pin 1 1/4"
17	17X83Z	Washer
18	21401	Spindle Bearings
19	21476	Spindle Ass'y. L.H.
20	21475	Tie Rod Ass'y.
21	21479	Spindle Ass'y. R.H.
22	21527	Front Wheel & Tire
	403000	Rim Only
	403001	Tire Only
	400162	Valve Stem & Cap
	403010	Front Wheel Bearing
23	21662	Hub Cap
24	15X43	Locknut 5/16"-18
25	15X79	Flange Nuts 5/16-18
26	21693	Steering Bracket
27	1X45	Bolt 5/16-18X5 1/8"
28	17X115	Washer
	21747	Parts Bag

# Model 5-3666 and 5-3667 Drive Section

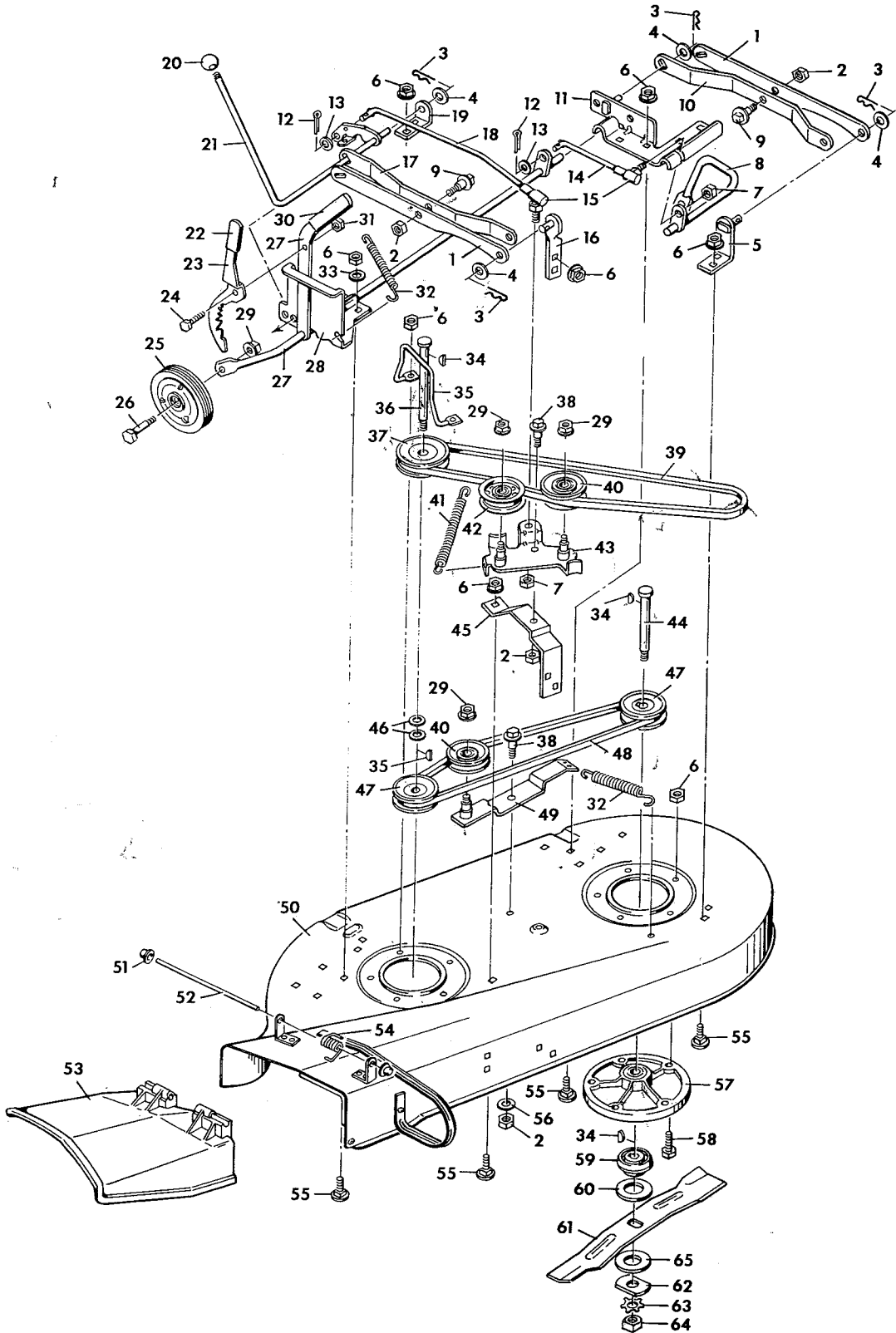


**Model 5-3666  
and 5-3667**

Key No.	Part No.	Description	Key No.	Part No.	Description
1	----	Engine	37	21526	Wheel & Tire
2	21521	Washer		403006	Wheel Only
8	403026	Frame Ass'y.		403007	Tire Only
9	20662	Woodruff Key #6		400162	Valve Stem & Cap
10	15X84	Lock Nut 3/8"-16	38	21662	Hub Cap
11	18X8	Lock Washer	39	21432	E-Ring
12	20103	Engine Bolt 3/8"-16X1"	40	17X115	Washer
13	20684	Spring	41	21553	Square Key
14	21681	Clutch Link Rod	42	21539	Woodruff Key
15	21428	Idler Bracket & Stud Ass'y.	43	----	Transaxle#
16	21409	Idler Pulley	44	20844	Knob
17	21426	Shoulder Bolt 3/8"-16X7/8"	45	21615	Drive Belt 1/2"X95"
18	20613	Idler Pulley	46	21447	Input Pulley
20	17X47Z	Washer	47	18X30	Lockwasher
21	30X20	Cotter Pin 3/4"	48	1X38	Bolt 1/4"-20X5/8"
22	21415Z	Stack Pulley	49	18X15	Lock Washer
23	10851Z	Washer	50	1X73	Bolt 5/16"-18X7/8"
24	19X39	Shakeproof Washer	51	2X57	Carriage Bolt 3/8"-16X7/8"
25	1X20	Bolt 3/8"-24X1"	52	21440Z	Transaxle Support Bracket
26	21724	Clutch Lever Ass'y.	53	2X56	Carriage Bolt 3/8"-16X3/4"
27	26X174	Screw 5/16"X3/4" Type A	54	21683	Belt Guide
28	21725	Brake Lever Ass'y.	55	15X68	Lock Nut 3/8"-16
29	21484Z	Parking Brake Arm	56	1X84	Bolt 5/16"-18X1"
30	21434	Grip	57	21651	Cap
31	21544	Pedal	58	21749	Oil Drain Extension
32	21535	Cap	59	21678Z	Brake Rod Support
33	21472Z	Brake Rod	60	26X185	Screw #10X 1/2" Type AB
34	21675	Spring	61	20682	Spring
35	21473	Transaxle Clamp	62	15X79	Lock Nut
36	15X43Z	Lock Nut 5/16"-18	63	20619	Belt Guide

# NOTE: Transaxle parts available through Tecumseh Dealer's Only.  
Complete illustration of transaxle shown on page 97 and 98.

**Model 5-3666 and 5-3667**  
**Blade Housing Assembly**  
**No. 400203**

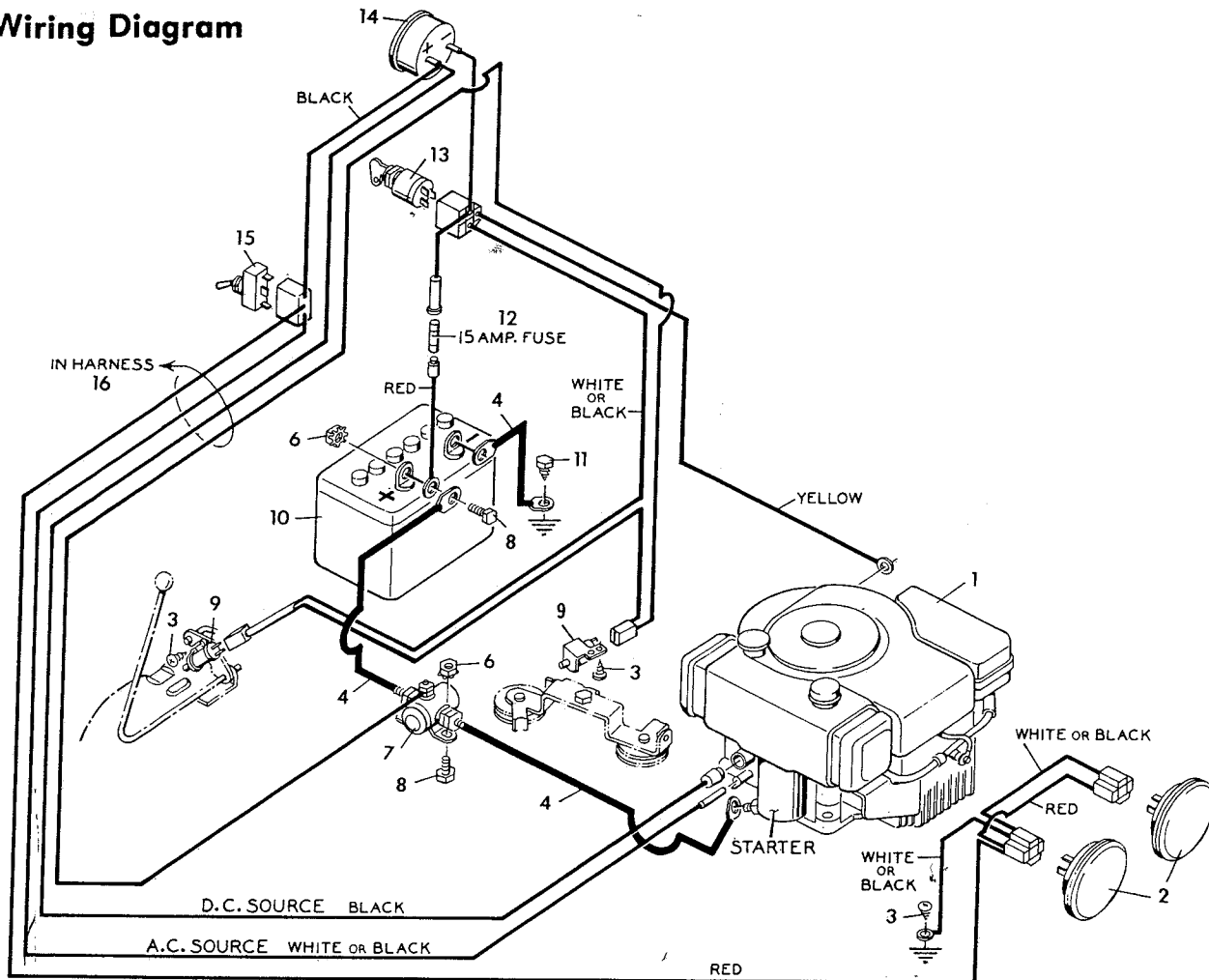


**Model 5-3666 and 5-3667**

Key No.	Part No.	Description	Key No.	Part No.	Description
1	20644	Outer Scissor Arm	34	20062	Woodruff Key #6
2	15X84	Hex Nut 3/8"-16	35	21504Z	Belt Guide
3	20692	Hair Pin Cotter	36	21024	Jackshaft - Long
4	17X67	Washer	37	21096	Jackshaft Pulley
5	21529	Scissor Bracket Ass'y.	38	21426	Shoulder Bolt 3/8"-16X7/8"
6	15X79	Flange Nut 5/16"-18	39	21649	Blade Drive Belt 1/2"X55"
7	15X77	Locknut 3/8"-24	40	20613	Idler Pulley
8	21507	Lifter Ass'y. L.H.	41	20684	Idler Spring
9	21602	Shoulder Bolt 3/8"-16X7/8"	42	21409	Idler Pulley
10	20643	Inner Scissor Arm L.H.	43	21503	Blade Drive Idler Ass'y.
11	21511	Scissor & Pivot Rod Brkt. Ass'y.	44	20616	Jackshaft Short
12	30X20	Cotter Pin 3/4"	45	21496	Idler Support Brkt.
13	17X53	Washer	46	17X87Z	Washer
14	21510	Lifter Link Rod	47	21022	Jackshaft Pulleys
15	21031	Ball Joint	48	20557	Cross Drive Belt 1/2"X46"
16	21018	Scissor Brkt. Ass'y.	49	21139Z	Idler Brkt. Ass'y.
17	20642	Inner Scissor Arm R.H.	50	400188	Blade Housing
18	21517	Link Rod	51	28X23	Push-On-Cap
19	20934	Scissor Hanger Brkt.	52	21198Z	Pivot Rod
20	20739	Knob	53	21154	Chute Deflector
21	21515	Blade Drive Lever Ass'y.	54	21189	Torsion Spring
22	20476	Grip	55	2X53	Carriage Bolt 5/16"-18X5/8"
23	21591Z	Latch	56	10851	Washer
24	6X46	Shoulder Bolt 1/4"-20X37/64"	57	20551	Jackshaft Housing Ass'y.
25	21027	Gauge Wheel	58	1X84	Bolt 5/16"-18X1"
26	20086	Axle Bolt 3/8"-16X2"	59	20617	Blade Adapter
27	21508	Lifter Ass'y. R.H.	60	21673Z	Washer
28	21500	Lifter Brkt.	61	20930	Blade
29	15X84	Flange Nut 3/8"-16	62	20663	Blade Washer
30	21249	Grip	63	19X36	Shakeproof Washer
32	20682	Spring	64	15X72	Hex Nut 1/2"-20
33	17X47Z	Washer 5/16"-18	65	21674Z	Washer
31	15X67	Hex Nut 1/4"-20			



**Model 5-3666  
and 5-3667  
Wiring Diagram**



Key No.	Part No.	Description
1	----	Engine
2	20837	Seal Beam Light
3	26X159	Screw
4	21263	Battery Cable
6	15X66	Keps Nut
7	21261	Solenoid
8	1X38	Bolt 1/4-20
9	21549	Safety Switch
10	21075	Battery
11	26X197	Screw
12	21023	Fuse 15 Amp.
13	21571PA	Switch & Key
14	21057PA	Ammeter Assy.
15	21686PA	Light Switch
16	21746	Wiring Harness
	20756	Key Only