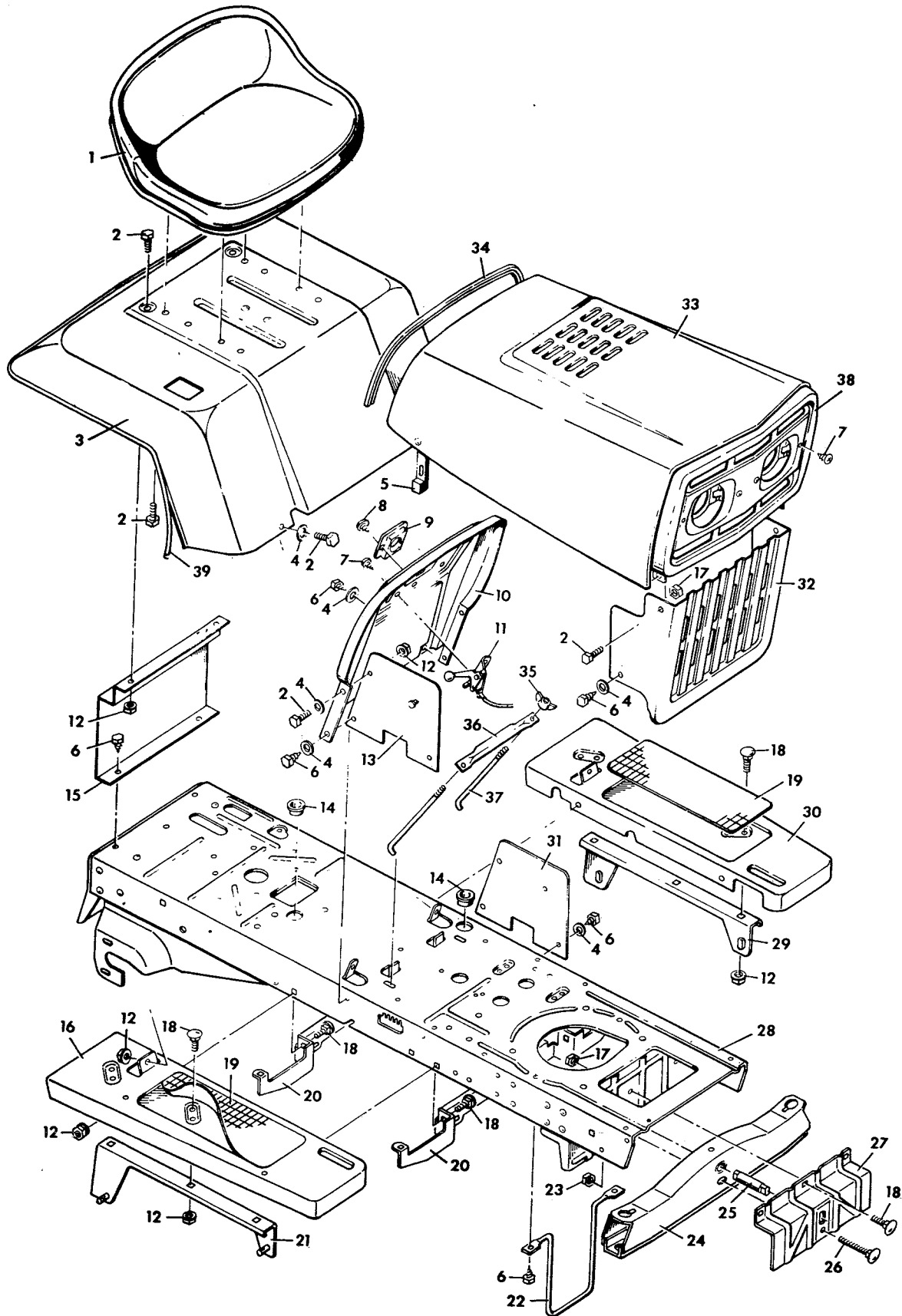


Model 5-3663
Tractor Mower - Body Section



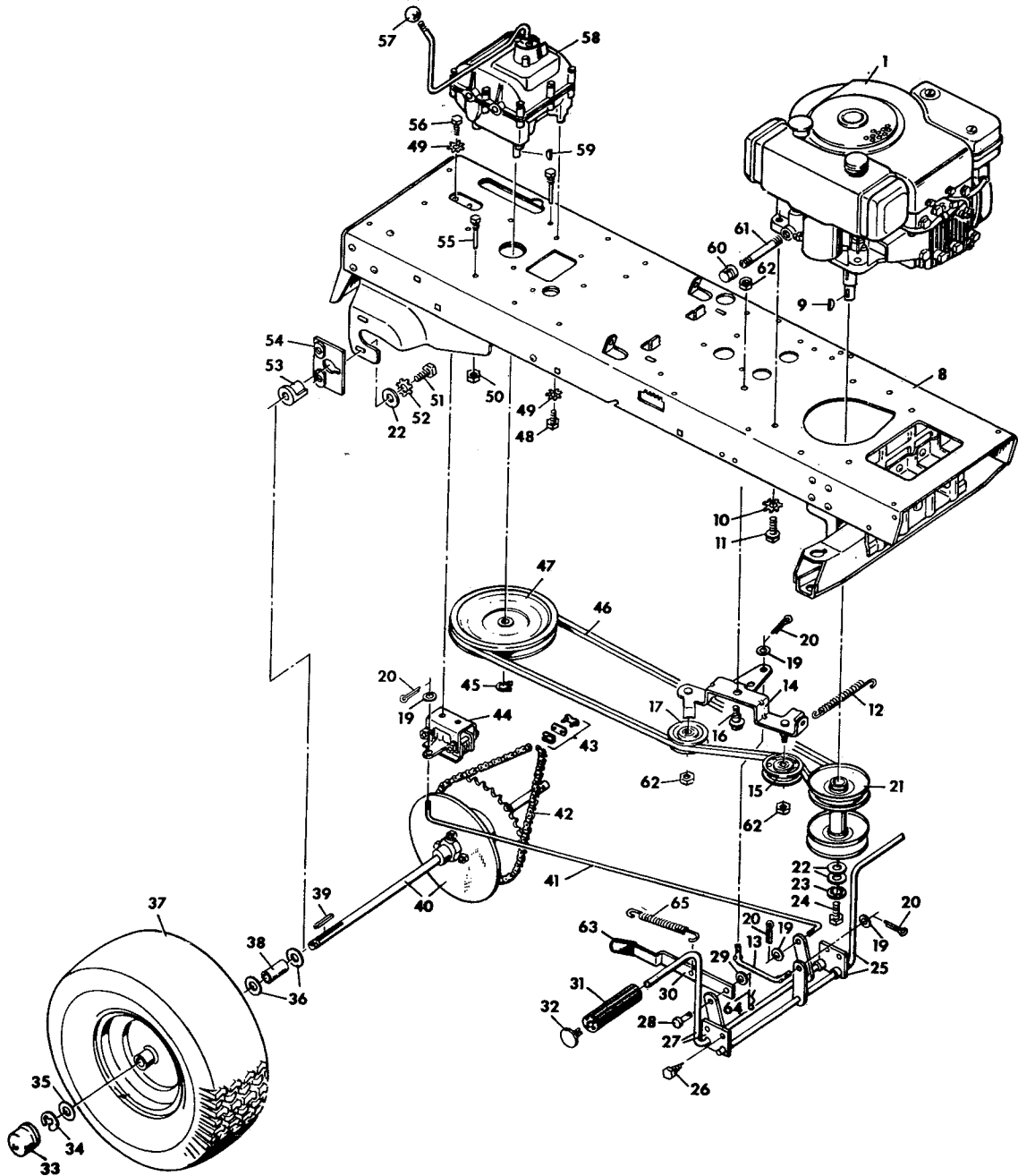
Model 5-3663

| Key No. | Part No. | Description |
|---------|----------|-----------------------------|
| 1 | 21689 | Seat |
| 2 | 1X45 | Bolt 5/16"-18x5/8" |
| 3 | 21743 | Rear Shroud Ass'y. |
| 4 | 17X47Z | Washer |
| 5 | 21738 | Hood Latch |
| 6 | 26X50 | Screw 5/16X5/8 Type B |
| 7 | 26X159 | Screw #8X3/8" Type A |
| 8 | 26X186 | Screw #10X 1/2" Type AB |
| 9 | 21707 | Steering Post Bearing |
| 10 | 21709 | Control Plate |
| 11 | 21540PA | Remote Control |
| 12 | 15X79Z | Flange Nut 5/16"-18 |
| 13 | 21740 | Side Plate R.H. |
| 14 | 21268 | Grommet |
| 15 | 21714 | Rear Shroud Support |
| 16 | 21716 | Running Board R.H. |
| 17 | 15X43 | Lock Nut 5/16"-18 |
| 18 | 2X53 | Carriage Bolt 5/16"-18X5/8" |
| 19 | 21710 | Rubber Mat |
| 20 | 21547 | Running Board Support |
| 21 | 21562 | Hanger Bracket R.H. |
| 22 | 21481Z | Belt Guide |
| 23 | 15X84 | Lock Nut 3/8"-16 |
| 24 | 21441 | Front Axle Ass'y. |
| 25 | 21469 | Pivot Pin |
| 26 | 2X60 | Carriage Bolt 3/8"-16X3" |
| 27 | 21534 | Front Axle Hanger |
| 28 | 403025 | Frame Ass'y. |
| 29 | 21561 | Hanger Bracket L.H. |
| 30 | 21717 | Running Board L.H. |
| 31 | 21741 | Side Plate L.H. |
| 32 | 21713 | Lower Grill |
| 33 | 21708 | Hood |
| 34 | 21765 | Edge Trim |
| 35 | 14X79 | Wing Nut |
| 36 | 21761 | Battery Clamp |
| 37 | 21762 | Battery Clamp Rod |
| 38 | 400201 | Upper Grill w/Light |
| 39 | 21789 | Edge Trim |

Model 5-3663

| Key No. | Part No. | Description |
|---------|----------|----------------------------------|
| 1 | 21688 | Steering Wheel |
| 2 | 21303 | Steering Wheel Cap |
| 3 | 15X76 | Keps Nut 5/16"-18 |
| 4 | 1X75 | Bolt 5/16"-18X1 3/4" |
| 5 | 21486C | Steering Post |
| 6 | 1X73Z | Screw 5/16"-18X7/8" |
| 7 | 21493 | Steering Gear & Coupling Ass'y. |
| 8 | 15X84 | Locknut 3/8"-16 |
| 9 | 20587 | Bearing |
| 10 | 21692 | Steering Arm Gear & Brkt. Ass'y. |
| 11 | 21426 | Shoulder Bolt |
| 12 | 15X77 | Locknut 3/8"-24 |
| 13 | 21031 | Ball Joint |
| 14 | 15X61 | Hex Nut 3/8"-24 |
| 15 | 21482 | Drag Link Rod |
| 16 | 30X49 | Cotter Pin 1/4" |
| 17 | 17X83Z | Washer |
| 18 | 21401 | Spindle Bearings |
| 19 | 21476 | Spindle Ass'y. L. H. |
| 20 | 21475 | Tie Rod Ass'y. |
| 21 | 21479 | Spindle Ass'y. R.H. |
| 22 | 21527 | Front Wheel & Tire |
| | 403000 | Rim Only |
| | 403001 | Tire Only |
| | 400162 | Valve Stem & Cap |
| | 403010 | Front Wheel Bearing |
| 23 | 21662 | Hub Cap |
| 24 | 15X43 | Locknut 5/16"-18 |
| 25 | 15X79 | Flange Nuts 5/16-18 |
| 26 | 21693 | Steering Bracket |
| 27 | 1X45 | Bolt 5/16-18X5/8" |
| 28 | 17X115 | Washer |
| | 21747 | Parts Bag |

Model 5-3663 Drive Section



Model 5-3663

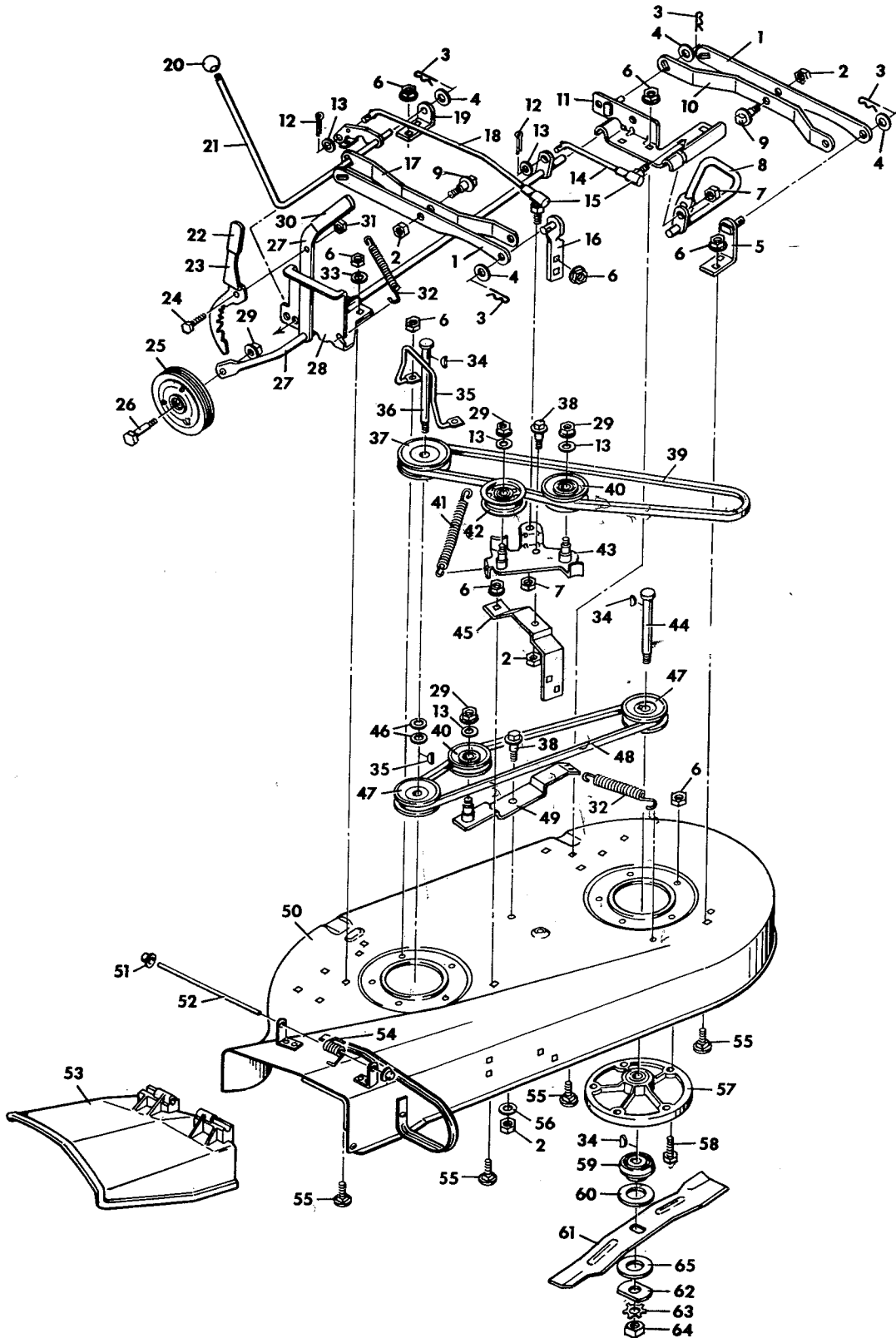
| Key No. | Part No. | Description | Key No. | Part No. | Description |
|---------|----------|-----------------------------|---------|----------|--------------------------|
| 1 | ---- | Engine | 37 | 21525 | Wheel & Tire |
| 8 | 403025 | Frame Ass'y. | | 403006 | Rim Only |
| 9 | 20062 | Woodruff Key #6 | | 403007 | Tire Only |
| 10 | 19X8 | Shakeproof Washer | | 400162 | Valve Stem & Cap |
| 11 | 20103 | Engine Bolt 3/8"-16X1" | 38 | 88X44Z | Spacer |
| 12 | 20684 | Spring | 39 | 21553 | Square Key |
| 13 | 21682 | Clutch Link Rod | 40 | 21402 | Differential W/Disc.* |
| 14 | 21428 | Idler Bracket & Stud Ass'y. | 41 | 21471Z | Brake Rod |
| 15 | 21409 | Idler Pulley | 42 | 21570 | Chain & Link |
| 16 | 21426 | Shoulder Bolt 3/8"-16X7/8" | 43 | 20730 | Connecting Link |
| 17 | 20613 | Idler Pulley | 44 | 21567 | Brake |
| 19 | 17X47Z | Washer | 45 | 20698 | Retainer Ring |
| 20 | 30X20 | Cotter Pin | 46 | 21614 | Drive Belt 1/2"X85" |
| 21 | 21415Z | Stack Pulley | 47 | 21410 | Input Pulley |
| 22 | 10851Z | Washer | 48 | 1X91 | Bolt 5/16"-18X3/4" |
| 23 | 19X39 | Shakeproof Washer | 49 | 19X6 | Shakeproof Washer |
| 24 | 1X20 | Bolt 3/8"-24X1" | 50 | 15X79 | Flange Nut 5/16"-18 |
| 25 | 21724 | Clutch Lever Ass'y. | 51 | 1X77 | Bolt 3/8"-24X5/8" |
| 26 | 26X197 | Screw 5/16"X3/4" Type A | 52 | 19X7 | Shakeproof Washer |
| 27 | 21725 | Brake Lever Ass'y. | 53 | 21400 | Rear Axle Bearing |
| 28 | 29X95 | Clevis Pin | 54 | 21423 | Bearing Adjustment Plate |
| 29 | 17X46Z | Washer | 55 | 20619 | Guide Bolt |
| 30 | 21484Z | Parking Brake Arm | 56 | 1X62 | Bolt 5/16"-24X 1/2" |
| 31 | 21544 | Pedal | 57 | 20844 | Knob |
| 32 | 21535 | Cap | 58 | 21405PA | Transmission* |
| 33 | 21522 | Hub Cap | 59 | 20697 | Woodruff Key #9 |
| 34 | 21433 | E-Ring | 60 | 21651 | Cap |
| 35 | 17X114 | Washer | 61 | 21749 | Oil Drain Extension |
| 36 | 61961Z | Washer | 62 | 15X84 | Hex Nut 3/8"-16 |
| | | | 63 | 21434 | Grip |
| | | | 64 | 20101 | Hairpin |
| | | | 65 | 20682 | Spring |

Brake pad 403006

- * Note: Complete illustration of differential shown on page 101.
- * * Note: Complete illustration of transmission shown on page 96.

Model 5-3643 and 5-3663

Blade Housing



Models 5-3643 and 5-3663

| Key No. | Part No. | Description | Key No. | Part No. | Description |
|---------|----------|----------------------------------|---------|----------|--|
| 1 | 20644 | Outer Scissor Arm | 34 | 20062 | Woodruff Key #6 |
| 2 | 15X84 | Hex Nut 3/8"-16 | 35 | 21504Z | Belt Guide |
| 3 | 20692 | Hair Pin Cotter | 36 | 21024 | Jackshaft - Long |
| 4 | 17X67 | Washer | 37 | 21096 | Jackshaft Pulley |
| 5 | 21529 | Scissor Bracket Ass'y. | 38 | 21426 | Shoulder Bolt 3/8"-16X7/8" |
| 6 | 15X79 | Flange Nut 5/16"-18 | 39 | 21649 | Blade Drive Belt 1/2" X 55" |
| 7 | 15X77 | Locknut 3/8"-24 | 40 | 20613 | Idler Pulley |
| 8 | 21507 | Lifter Ass'y. L.H. | 41 | 20684 | Idler Spring |
| 9 | 21602 | Shoulder Bolt 3/8"-16X7/8" | 42 | 21409 | Idler Pulley |
| 10 | 20643 | Inner Scissor Arm L.H. | 43 | 21503 | Blade Drive Idler Ass'y. |
| 11 | 21511 | Scissor & Pivot Rod Brkt. Ass'y. | 44 | 20616 | Jackshaft Short |
| 12 | 30X20 | Cotter Pin 3/4" | 45 | 21496 | Idler Support Brkt. |
| 13 | 17X53 | Washer | 46 | 17X87Z | Washer |
| 14 | 21510 | Lifter Link Rod | 47 | 21022 | Jackshaft Pulleys |
| 15 | 21031 | Ball Joint | 48 | 20557 | Cross Drive Belt 1/2" X 46" |
| 16 | 21018 | Scissor Brkt. Ass'y. | 49 | 21139Z | Idler Brkt. Ass'y. |
| 17 | 20642 | Inner Scissor Arm R.H. | 50 | 400188 | Blade Housing |
| 18 | 21517 | Link Rod | 51 | 28X23 | Push-On-Cap |
| 19 | 20934 | Scissor Hanger Brkt. | 52 | 21198Z | Pivot Rod |
| 20 | 20739 | Knob | 53 | 21154 | Chute Deflector |
| 21 | 21515 | Blade Drive Lever Ass'y. | 54 | 21189 | Torsion Spring |
| 22 | 20476 | Grip | 55 | 2X53 | Carriage Bolt 5/16"-18X5/8" |
| 23 | 21591Z | Latch | 56 | 10851 | Washer |
| 24 | 6X46 | Shoulder Bolt 1/4"-20X37/64" | 57 | 20551 | Jackshaft Housing Ass'y. |
| 25 | 21027 | Gauge Wheel | 58 | 1X84 | Bolt 5/16"-18X1" |
| 26 | 20086 | Axle Bolt 3/8"-16X2" | 59 | 20617 | Blade Adapter |
| 27 | 21508 | Lifter Ass'y. R.H. | 60 | 21673Z | Washer |
| 28 | 21500 | Lifter Brkt. | 61 | 20930 | Blade |
| 29 | 15X84 | Flange Nut 3/8"-16 | 62 | 20663 | Blade Washer |
| 30 | 21249 | Grip | 63 | 19X36 | Shakeproof Washer |
| 31 | 15X67 | Hex Nut 1/4"-20 | 64 | 15X72 | Hex Nut 1/2"-20 |
| 32 | 20682 | Spring | 65 | 21674Z | Washer |
| 33 | 17X47Z | Washer 5/16"-18 | | | |

Complete Blade Housing Assembly No. 400203.

