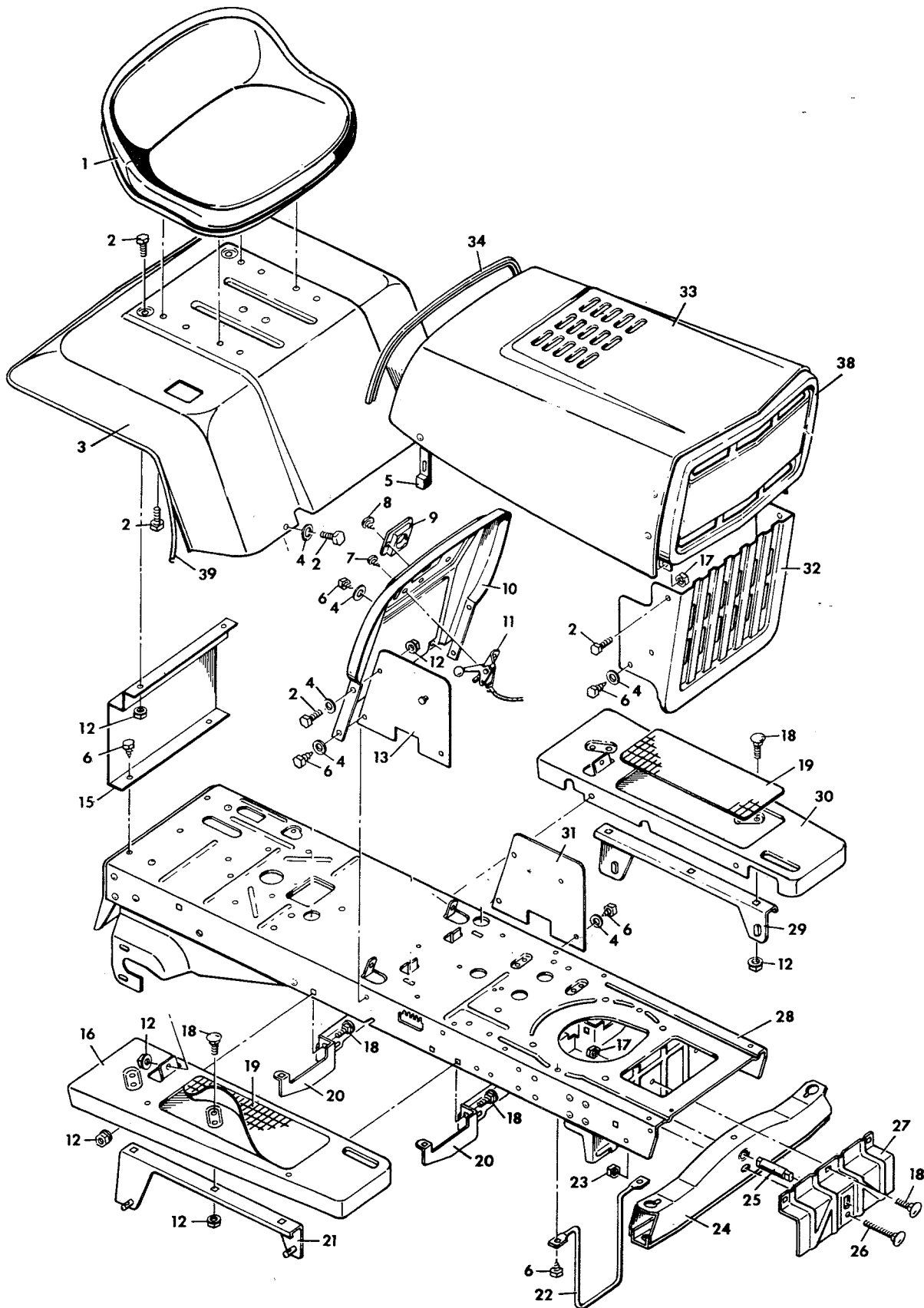


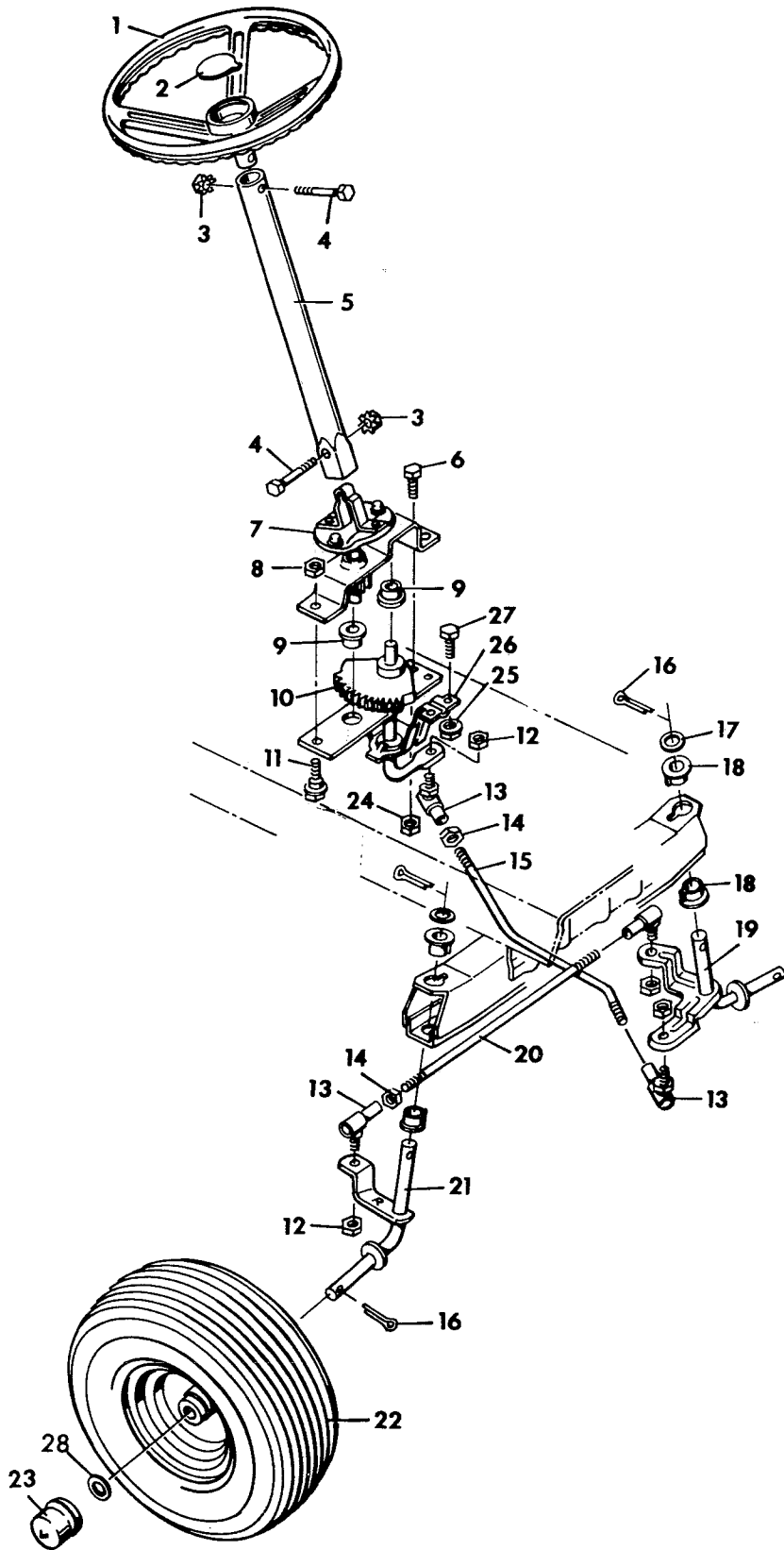
Model 5-3643
Tractor Mower - Body Section



Model 5-3643

Key No.	Part No.	Description
1	21689	Seat
2	1X45	Bolt 5/16"-18X5/8"
3	21700	Rear Shroud
4	17X47Z	Washer
5	21738	Hood Latch
6	26X50	Screw 5/16X5/8 Type B
7	26X159	Screw #8X3/8" Type A
8	26X186	Screw #10X1/2" Type AB
9	21715	Steering Post Bearing
10	21709	Control Panel
11	21540PA	Remote Control
12	15X79Z	Flange Nut 5/16"-18
13	21740	Side Plate R.H.
15	21714	Rear Shroud Support
16	21716	Running Board R.H.
17	15X43	Lock Nut 5/16"-18
18	2X53	Carriage Bolt 5/16"-18X5/8"
19	21710	Rubber Mat
20	21547	Running Board Support
21	21562	Hanger Bracket R.H.
22	21481Z	Belt Guide
23	15X84	Lock Nut 3/8"-16
24	21441	Front Axle Ass'y.
25	21469	Pivot Pin
26	2X60	Carriage Bolt 3/8"-16X3"
27	21534	Front Axle Hanger
28	403026	Frame Ass'y.
29	21561	Hanger Bracket L.H.
30	21717	Running Board L.H.
31	21741	Side Plate L.H.
32	21713	Lower Grill
33	21708	Hood
34	21765	Edge Trim
38	21712C	Upper Grill
39	21789	Edge Trim

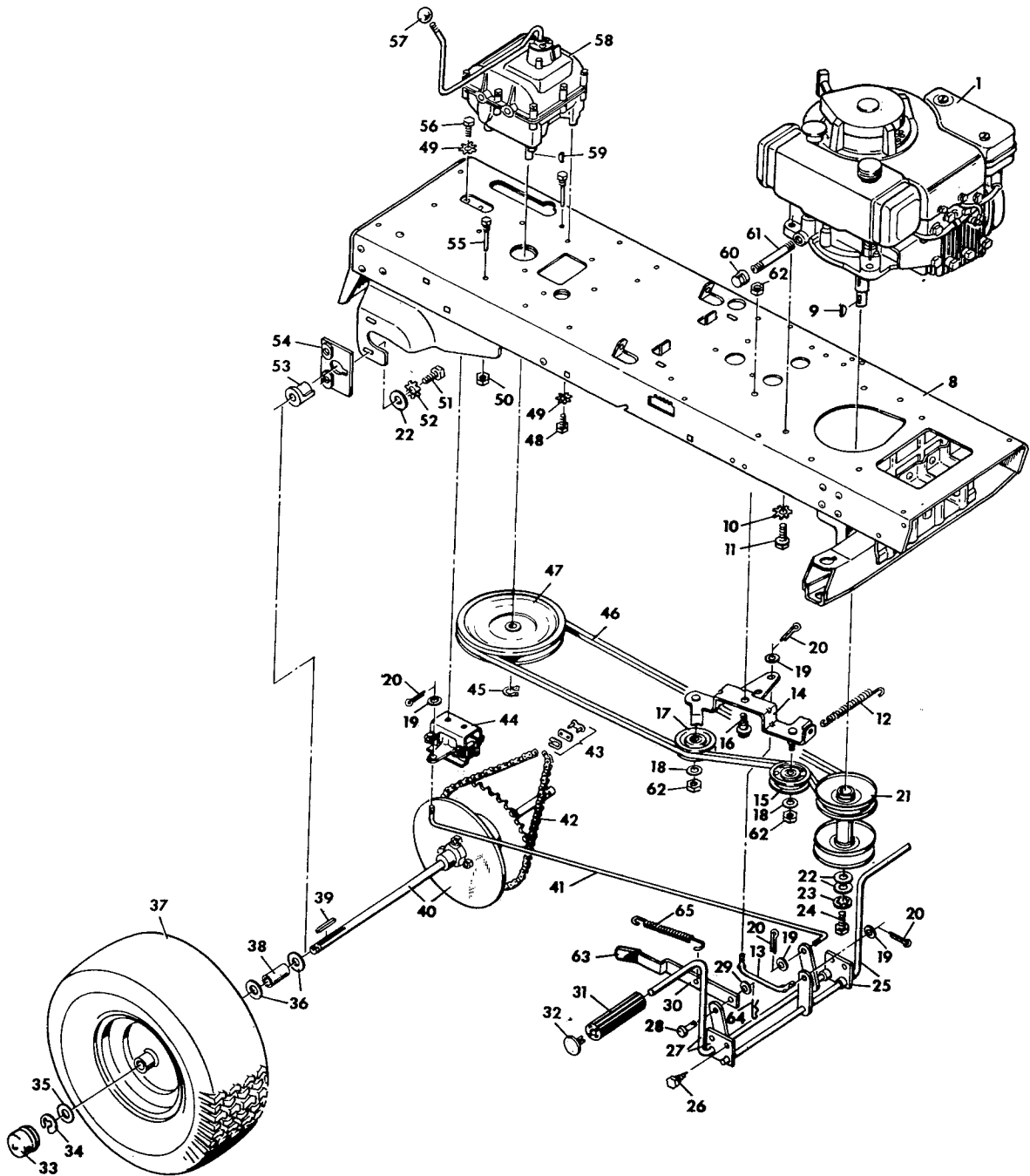
Model 5-3643
Steering Section



Model 5-3643

Key No.	Part No.	Description
1	21688	Steering Wheel
2	21303	Steering Wheel Cap
3	15X76	Keps Nut 5/16"-18
4	1X75	Bolt 5/16"-18X1 3/4"
5	21486C	Steering Post
6	1X73Z	Screw 5/16"-18X7/8"
7	21493	Steering Gear & Coupling Ass'y.
8	15X12	Locknut 3/8"-16
9	20587	Bearing
10	21692	Steering Arm Gear & Brkt. Ass'y.
11	21426	Shoulder Bolt
12	15X77	Locknut 3/8"-24
13	21031	Ball Joint
14	15X61	Hex Nut 3/8"-24
15	21482	Drag Link Rod
16	30X49	Cotter Pin 1 1/4"
17	17X83Z	Washer
18	21401	Spindle Bearings
19	21476	Spindle Ass'y. L.H.
20	21475	Tie Rod Ass'y.
21	21479	Spindle Ass'y. R.H.
22	21527	Front Wheel & Tire
	403000	Rim Only
	403001	Tire Only
	400162	Valve Stem & Cap
	403010	Front Wheel Bearing
23	21662	Hub Cap
24	15X43	Locknut 5/16"-18
25	15X79	Flange Nuts 5/16-18
26	21693	Steering Bracket
27	1X45	Bolt 5/16-18X5/8"
28	17X115	Washer
	21747	Parts Bag

Model 5-3643
Drive Section



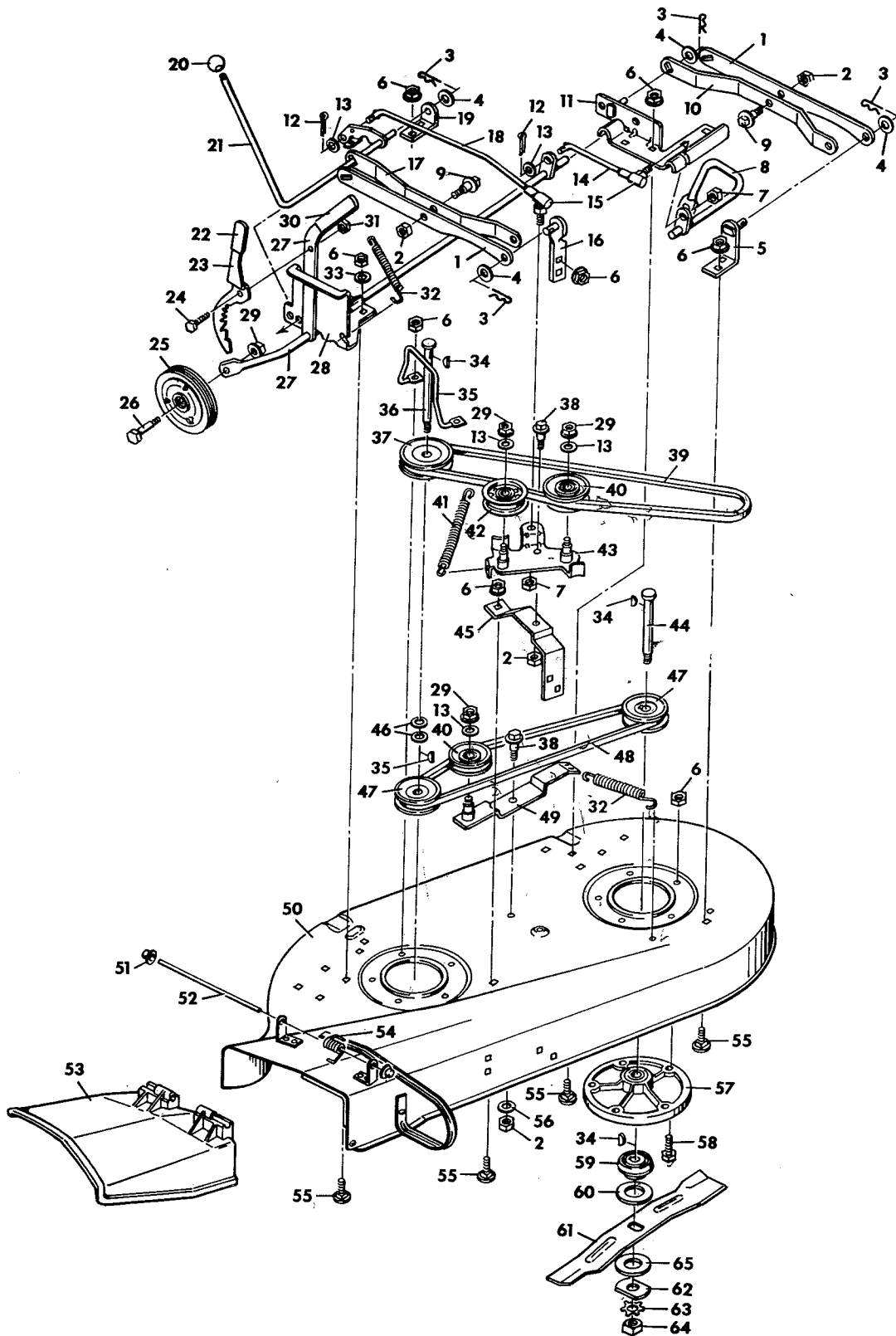
Model 5-3643

Key No.	Part No.	Description	Key No.	Part No.	Description
1	----	Engine	37	21525	Wheel & Tire
8	403025	Frame Ass'y.		403006	Rim Only
9	20062	Woodruff Key #6		403007	Tire Only
10	19X8	Shakeproof Washer		400162	Valve Stem & Cap
11	20103	Engine Bolt 3/8"-16X1"	38	88X44Z	Spacer
12	20684	Spring	39	21553	Square Key
13	21682	Clutch Link Rod	40	21402	Differential W/Dis.*
14	21428	Idler Bracket & Stud Ass'y.	41	21471Z	Brake Rod
15	21409	Idler Pulley	42	21570	Chain & Link
16	21426	Shoulder Bolt 3/8"-16X7/8"	43	20730	Connecting Link
17	20613	Idler Pulley	44	21567	Brake
19	17X47Z	Washer	45	20698	Retainer Ring
20	30X20	Cotter Pin	46	21614	Drive Belt 1/2"X85"
21	21415Z	Stack Pulley	47	21410	Input Pulley
22	10851Z	Washer	48	1X91	Bolt 5/16"-18X3/4"
23	19X39	Shakeproof Washer	49	19X6	Shakeproof Washer
24	1X20	Bolt 3/8"-24X1"	50	15X79	Flange Nut 5/16"-18
25	21724	Clutch Lever Ass'y.	51	1X77	Bolt 3/8"-24X5/8"
26	26X197	Screw 5/16"X3/4" Type A	52	19X7	Shakeproof Washer
27	21725	Brake Lever Ass'y.	53	21400	Rear Axle Bearing
28	29X95	Clevis Pin	54	21423	Bearing Adjustment Plate
29	17X46Z	Washer	55	20619	Guide Bolt
30	21484Z	Parking Brake Arm	56	1X62	Bolt 5/16"-24X1/2"
31	21544	Pedal	57	20844	Knob
32	21535	Cap	58	21405PA	Transmission* *
33	21522	Hub Cap	59	20697	Woodruff Key #9
34	21433	E-Ring	60	21651	Cap
35	17X114	Washer	61	21749	Oil Drain Extension
36	61961Z	Washer	62	15X84	Hex Nut 3/8"-16
			63	21434	Grip
			64	20101	Hairpin
			65	20682	Spring

* Note: Complete illustration of differential shown on page 101.
 * * Note: Complete illustration of transmission shown on page 96.

Model 5-3643 and 5-3663

Blade Housing

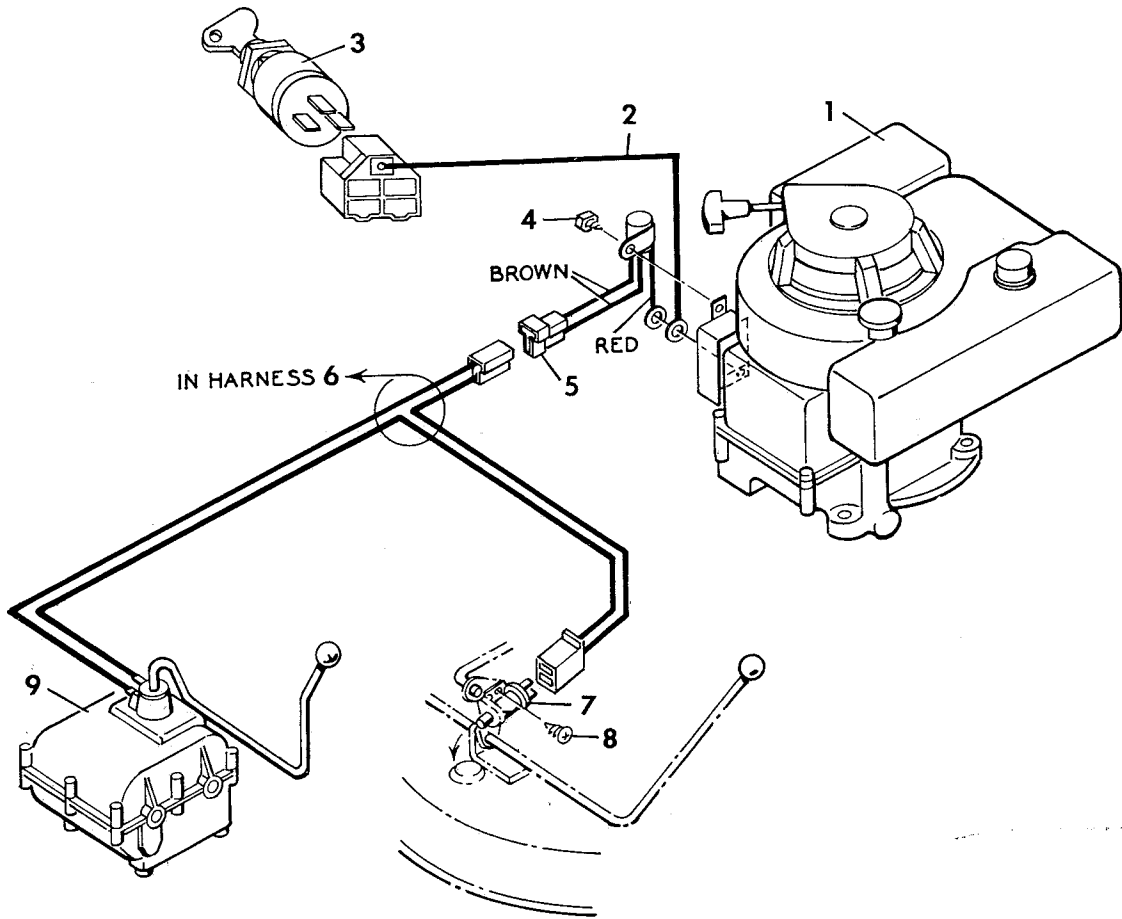


Models 5-3643 and 5-3663

Key No.	Part No.	Description	Key No.	Part No.	Description
1	20644	Outer Scissor Arm	34	20062	Woodruff Key #6
2	15X84	Hex Nut 3/8"-16	35	21504Z	Belt Guide
3	20692	Hair Pin Cotter	36	21024	Jackshaft - Long
4	17X67	Washer	37	21096	Jackshaft Pulley
5	21529	Scissor Bracket Ass'y.	38	21426	Shoulder Bolt 3/8"-16X7/8"
6	15X79	Flange Nut 5/16"-18	39	21649	Blade Drive Belt 1/2"X55"
7	15X77	Locknut 3/8"-24	40	20613	Idler Pulley
8	21507	Lifter Ass'y. L.H.	41	20684	Idler Spring
9	21602	Shoulder Bolt 3/8"-16X7/8"	42	21409	Idler Pulley
10	20643	Inner Scissor Arm L.H.	43	21503	Blade Drive Idler Ass'y.
11	21511	Scissor & Pivot Rod Brkt. Ass'y.	44	20616	Jackshaft Short
12	30X20	Cotter Pin 3/4"	45	21496	Idler Support Brkt.
13	17X53	Washer	46	17X87Z	Washer
14	21510	Lifter Link Rod	47	21022	Jackshaft Pulleys
15	21031	Ball Joint	48	20557	Cross Drive Belt 1/2"X46"
16	21018	Scissor Brkt. Ass'y.	49	21139Z	Idler Brkt. Ass'y.
17	20642	Inner Scissor Arm R.H.	50	400188	Blade Housing
18	21517	Link Rod	51	28X23	Push-On-Cap
19	20934	Scissor Hanger Brkt.	52	21198Z	Pivot Rod
20	20739	Knob	53	21154	Chute Deflector
21	21515	Blade Drive Lever Ass'y.	54	21189	Torsion Spring
22	20476	Grip	55	2X53	Carriage Bolt 5/16"-18X5/8"
23	21591Z	Latch	56	10851	Washer
24	6X46	Shoulder Bolt 1/4"-20X37/64"	57	20551	Jackshaft Housing Ass'y.
25	21027	Gauge Wheel	58	1X84	Bolt 5/16"-18X1"
26	20086	Axle Bolt 3/8"-16X2"	59	20617	Blade Adapter
27	21508	Lifter Ass'y. R.H.	60	21673Z	Washer
28	21500	Lifter Brkt.	61	20930	Blade
29	15X84	Flange Nut 3/8"-16	62	20663	Blade Washer
30	21249	Grip	63	19X36	Shakeproof Washer
31	15X67	Hex Nut 1/4"-20	64	15X72	Hex Nut 1/2"-20
32	20682	Spring	65	21674Z	Washer
33	17X47Z	Washer 5/16"-18			

Complete Blade Housing Assembly No. 400203.

**Model 5-3643
Wiring Diagram**



Key No.	Part No.	Description
1	----	Engine
2	21557	Jumper Wire
3	21211PA	Switch & Key
4	26X185	Screw #10X3/8 Type AB
5	21361	Control Module
6	21760	Wiring Harness
7	21549	Safety Switch
8	26X159	Screw #8X3/8 Type A
9	21405PA 20756	Transmission Key Only

ONE Prong
21571-3 Prong