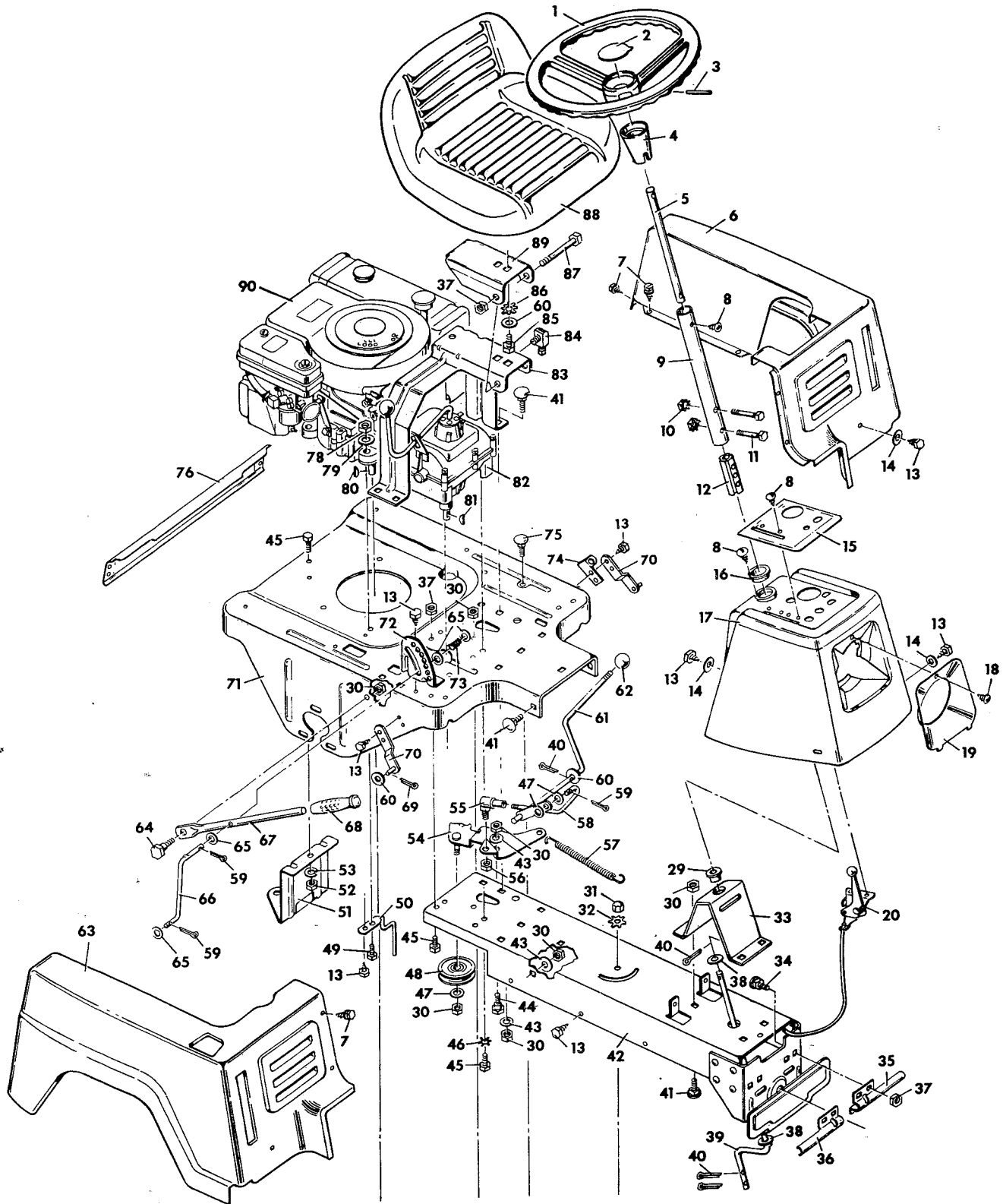


Model 5-3233
Riding Mower - Body Section

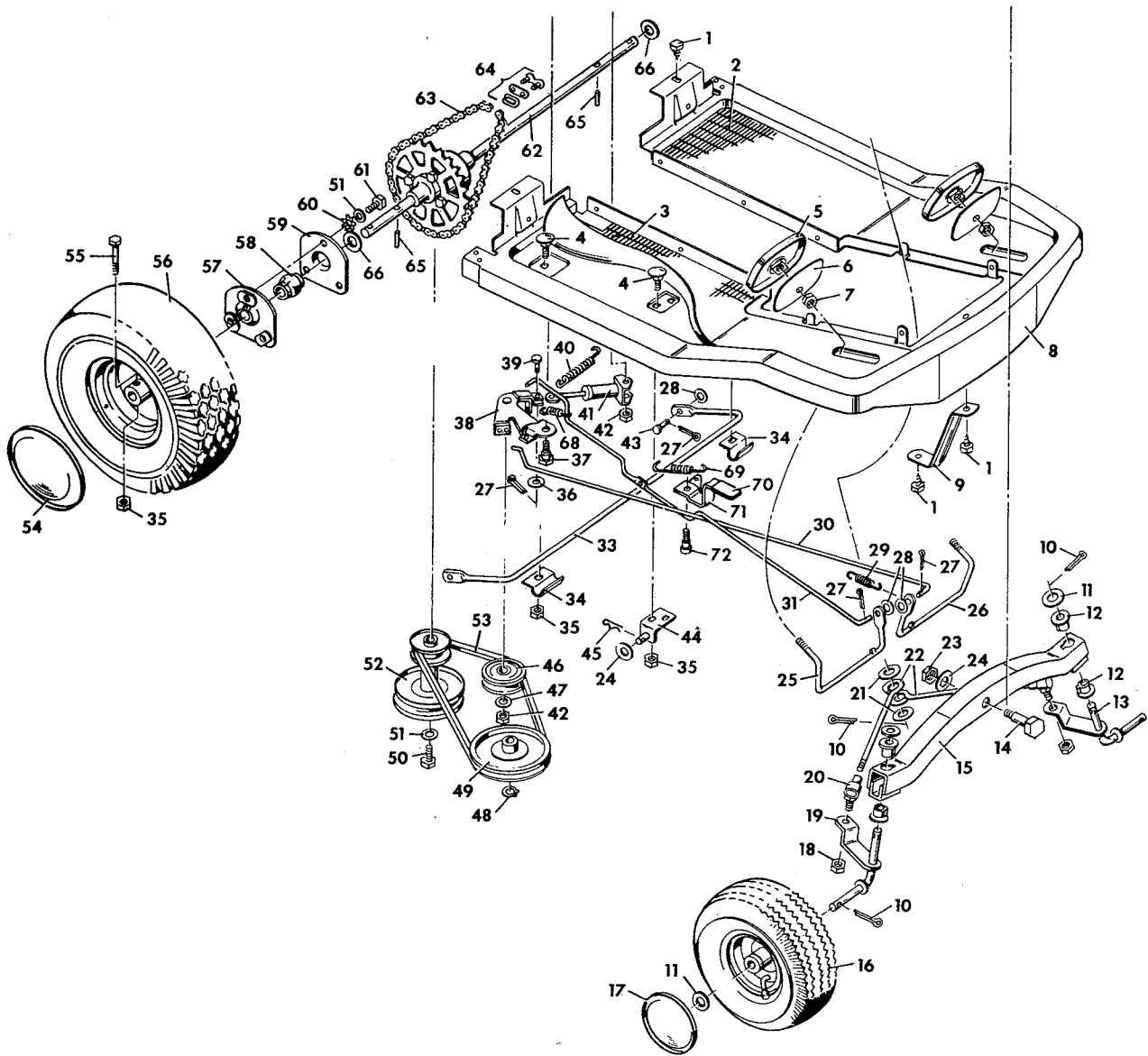


Model 5-3233

Key No.	Part No.	Description	Key No.	Part No.	Description
1	21323	Steering Wheel	48	20613	Idler Pulley
2	21303	Steering Wheel Cap	49	1X66	Hex Bolt 5/16-24X1-3/8
3	32X68	Spring Pin	50	21054	Belt Guide
4	21333	Collar	51	21047Z	Hitch
5	20866	Upper Steering Post	52	15X2	Hex Nut 5/16-18
6	20975	Shroud L.H.	53	18X15	Lockwasher
7	26X184	Screw	54	20943Z	Blade Drive Idler Assy.
8	26X159	Screw	55	21031	Ball Joint
9	21174C	Steering Sleeve	56	15X77	Hex Nut
10	15X76	Hex Nut - Keps 5/16-18	57	20683	Blade Drive Idler Spring
11	6X59	Hex Bolt 5/16-18X2	58	21004Z	Link Rod
12	21175	Coupling	59	30X20	Cotter Pin
13	26X50	Screw	60	17X67	Plain Washer
14	17X45Z	Washer	61	21002	Blade Drive Lever Ass'y.
15	21242	Control Plate	62	20739	Lever Knob
16	21035	Nylon Bearing	63	20972	Shroud R.H.
17	20985	Console Ass'y.	64	20662	Shoulder Bolt
18	26X17Z	Screw	65	17X46	Plain Washer
19	21045C	Bezel Reflector	66	21005Z	Connector Rod
20	21223PA	Remote Control	67	20658C	Lifting Lever
21	2X55	Carriage Bolt	68	20718	Lifting Lever Grip
22	15X64	Hex Nut	69	20692	Hair Pin Cotter
29	20587	Nylon Bearing	70	20997	Hanger Brkt. Assy.
30	15X12	Lock Nut 3/8-16	71	20901	Engine Base
31	14X77	Acorn Nut	72	20636	Lifter Index Brkt.
32	19X4	Shakeproof Washer	73	20680	Lifter Spring
33	21071	Steering Support	74	21220	Switch Retainer
34	2X53	Carriage Bolt 5/16-18X5/8	75	2X58	Carriage Bolt
35	20917	Clutch Clamp L.H.	76	20971	Shroud Panel
36	20916	Brake Clamp R.H.	78	15X42	Locknut 5/16-24
37	15X79	Flange Nut 5/16-18	79	17X47Z	Plain Washer
38	17X87	Plain Washer	80	20062	Woodruff Key #6
39	21351	Lower Steering Post	81	20697	Woodruff Key #9
40	30X49	Cotter Pin	82	21368PA	Transmission*
41	2X57	Carriage Bolt	83	20926	Seat Bracket
42	400178	Frame Channel	84	20735	Oil Drain Fitting
43	10851Z	Washer	85	20726	Seat Pan
44	20661	Shoulder Bolt	86	19X36	Shakeproof Washer
45	1X45	Bolt 5/16-18X5/8	87	1X88	Hex Bolt 1/2-13X7/8"
46	19X6	Shakeproof Washer	88	21324	Seat
47	17X53	Washer	89	21048Z	Seat Hinge
			90	----	Engine
				21321	Parts Bag

* Note: Complete illustration of transmission shown on page 95.

Model 5-3233
Riding Mower - Drive Section

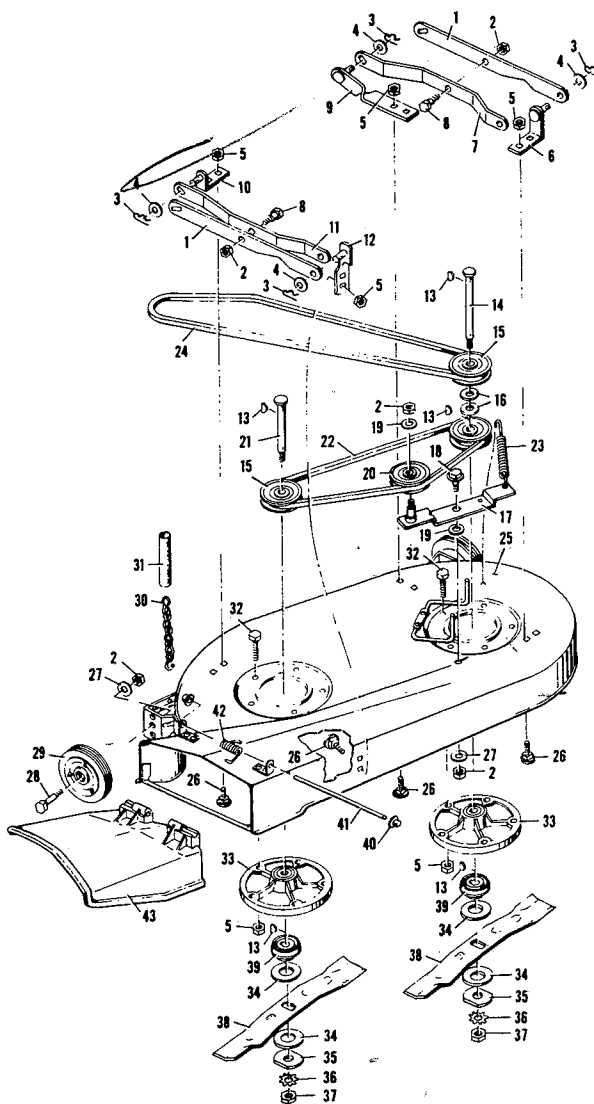


Model 5-3233

Key No.	Part No.	Description	Key No.	Part No.	Description
1	26X70	Screw	37	20662	Shoulder Bolt
2	21007	Rubber Mat L.H.	38	20670	Drive Idler Assy.
3	21006	Rubber Mat R.H.	39	29X94	Clevis Pin
4	2X53	Carriage Bolt	40	20682	Drive Idler Spring
5	20999E	Clutch & Brake Pedal	41	20891	Air Cylinder
6	21051E	Pedal Back Up Plate	42	15X12	Locknut 3/8-16
7	15X64	Hex Nut 1/2-13	43	29X93	Clevis Pin
8	20923	Running Board	44	20996	Hanger Bracket
9	20949	Support Brkt.	45	20692	Hair Pin Cotter
10	30X49	Cotter Pin	46	20613	Idler Pulley
11	17X100	Plain Washer	47	17X53	Plain Washer
12	20939	Spindle Bearing	48	20698	Retainer Ring
13	21349	Spindle Assy. L.H.	49	20614	Transmission Pulley
14	20908	Shoulder Bolt	50	1X20	Hex Bolt 3/8-24X1
15	20914	Front Axle Assy.	51	10851Z	Washer
16	20744	Front Wheel & Tire	52	21014Z	Stack Pulley Assy.
	133X4	Tire Only	53	20716	Drive Belt
	135X4	Wheel Only	54	20797	Hub Cap
	20745	Front Wheel Bearing	55	1X81	Hex Bolt 5/16-18X1-5/8
17	21081	Hub Cap	56	20754	Rear Wheel & Tire
18	15X77	Hex Nut 3/8-24		133X6	Tire Only
19	21350	Spindle Assy. R.H.		135X6	Wheel Only
20	21031	Ball Joint		20267	Valve Stem & Cap
21	17X87	Plain Washer	57	21009Z	Outer Bearing Retainer Assy.
22	21352	Tie Rod	58	20568	Rear Axle Bearing
23	15X41	Locknut	59	20570Z	Bearing Retainer
24	17X67	Plain Washer	60	19X7	Shakeproof Washer
25	20918	Brake Lever R.H.	61	1X77	Hex Bolt 3/8-24X 3/4
26	20919	Clutch Lever L.H.	62	21000	Differential & Axle*
27	30X20	Cotter Pin	63	20733	Chain & Link #41
28	17X46	Plain Washer	64	20730	Connecting Link #41 Chain
29	21041	Pedal Snubber Spring	65	32X65	Spring Pins
30	21129	Clutch Rod	66	61961Z	Washer
31	21128	Brake Rod	68	21041	Pedal Spring
32	21016	Parking Brake Base	69	21818	Spring Parking Brake
33	20942	Lifter Rod	70	22196	Grip
34	20993	Lifter Clamp	71	21829	Parking Brake Lever
35	15X43Z	Hex Nut	72	6X46	Shoulder Screw
36	17X46Z	Plain Washer			

* Note: Complete illustration of differential shown on page 100.

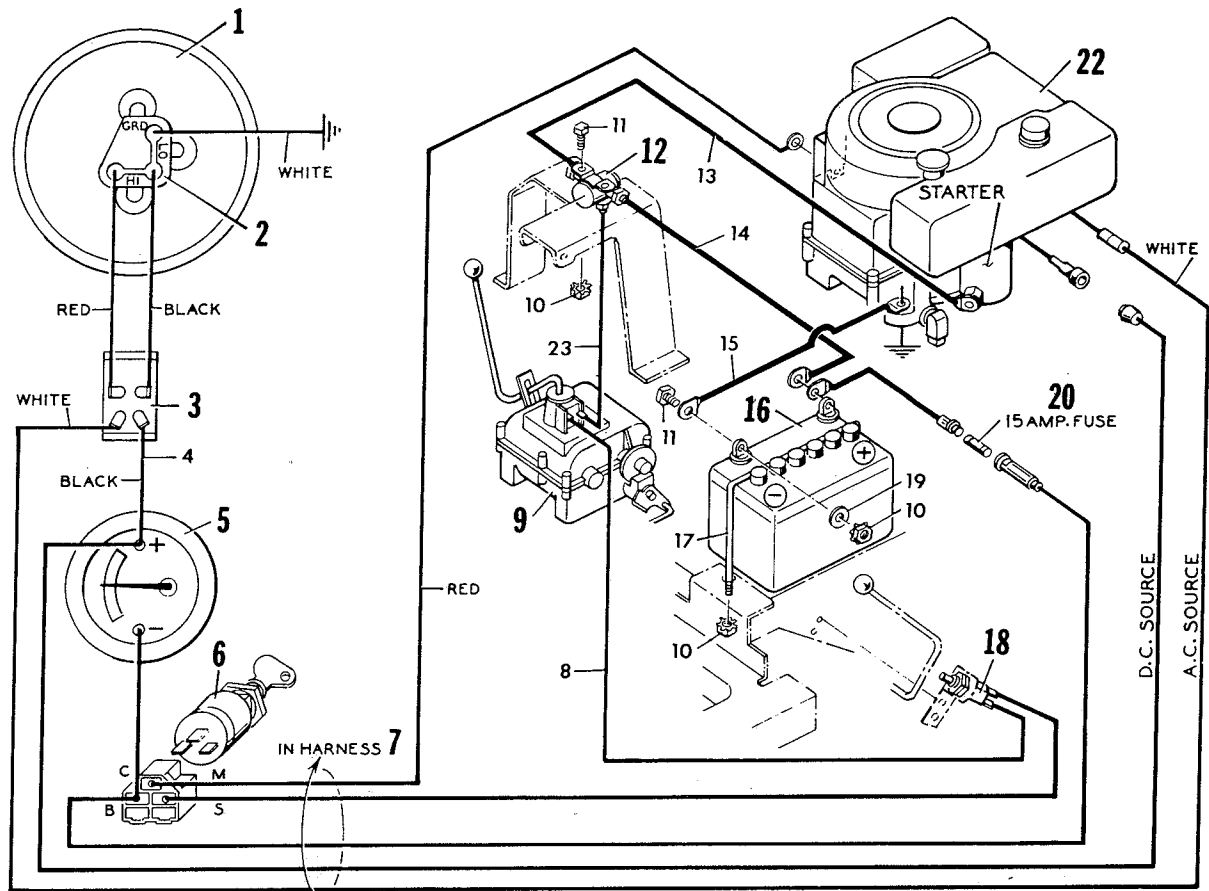
**Model 5-3233
Blade Housing**



Key No.	Part No.	Description
1	20644	Outer Scissor Arm
2	15X12	Locknut
3	20692	Hair Pin Cotter
4	17X67Z	Plain Washer
5	15X79	Locknut
6	20995	Scissor Brkt. Assy. L.H. Front
7	20643	Inner Scissor Arm L.H.
8	21602	Shoulder Bolt
9	21020	Scissor Brkt. Assy. L.H. Rear
10	20994	Scissor Brkt. Assy. R.H. Rear
11	20642	Inner Scissor Arm R.H.
12	21018	Scissor Brkt. Assy. R.H. Front
13	20062	Woodruff Key #6
14	21024	Jackshaft Long
15	21022	Jackshaft Pulley
16	17X87Z	Plain Washer
17	21139Z	Idler Brkt. Assy.
18	20662	Shoulder Bolt
19	17X53Z	Plain Washer
20	20613	Idler Pulley
21	20616	Jackshaft
22	21059	Cross Drive Belt
23	20683	Drive Idler Spring
24	21058	Blade Drive Belt
25	400182	Blade Housing Assy.
26	2X53	Carriage Bolt
27	10851Z	Washer
28	20086	Axle Bolt
29	21027	Gauge Wheel
30	21028	Lifter Chain
31	20989	Chain Cover
32	1X73	Hex Bolt
33	20551	Jackshaft Housing
34	21673Z	Blade Washer
35	20663Z	Blade Washer
36	18X27	Washer
37	15X72	Hex Nut
38	20929	Blade
39	20617	Blade Adapter
40	28X23	Push-On-Cap
41	21197Z	Pivot Rod
42	21189	Torsion Spring
43	21153	Chute Deflector

Complete Blade Housing No. 400186

Model 5-3233
Wiring Diagram



D-2005

Key No.	Part No.	Description	Key No.	Part No.	Description
1	20837	Seal Beam Light	12	21261	Solenoid Switch
2	21074	Socket	13	21264	Battery Wire (Long)
3	20776PA	Light Switch	14	21263	Battery Wire (Short)
4	21298	Jumper Wire	15	21038	Battery Cable
5	21057PA	Ammeter	16	21075	Battery
6	21571PA	Switch & Key	17	21053Z	Battery Hold Down
7	21806	Wiring Harness Assy.	18	20608PA	Limit Switch
8	20609	Jumper Wire	19	17X36Z	Washer
9	21368PA	Transmission	20	21023	Fuse - 15 Amp.
10	15X66	Keps Nut	22	----	Engine (See Mower Parts List)
11	1X38	Hex Bolt		20756	Key Only