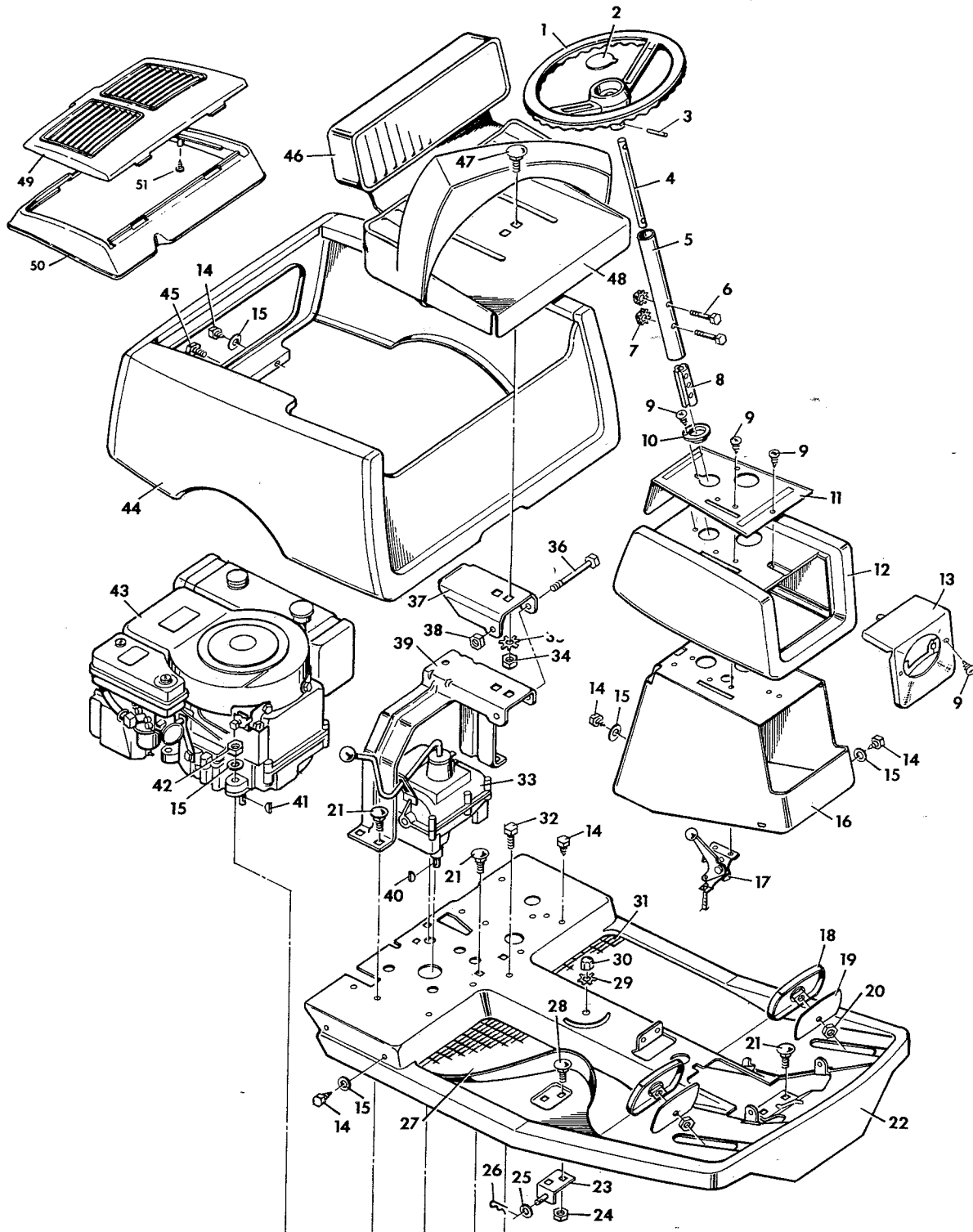


Model 5-3063
Riding Mower - Body Section

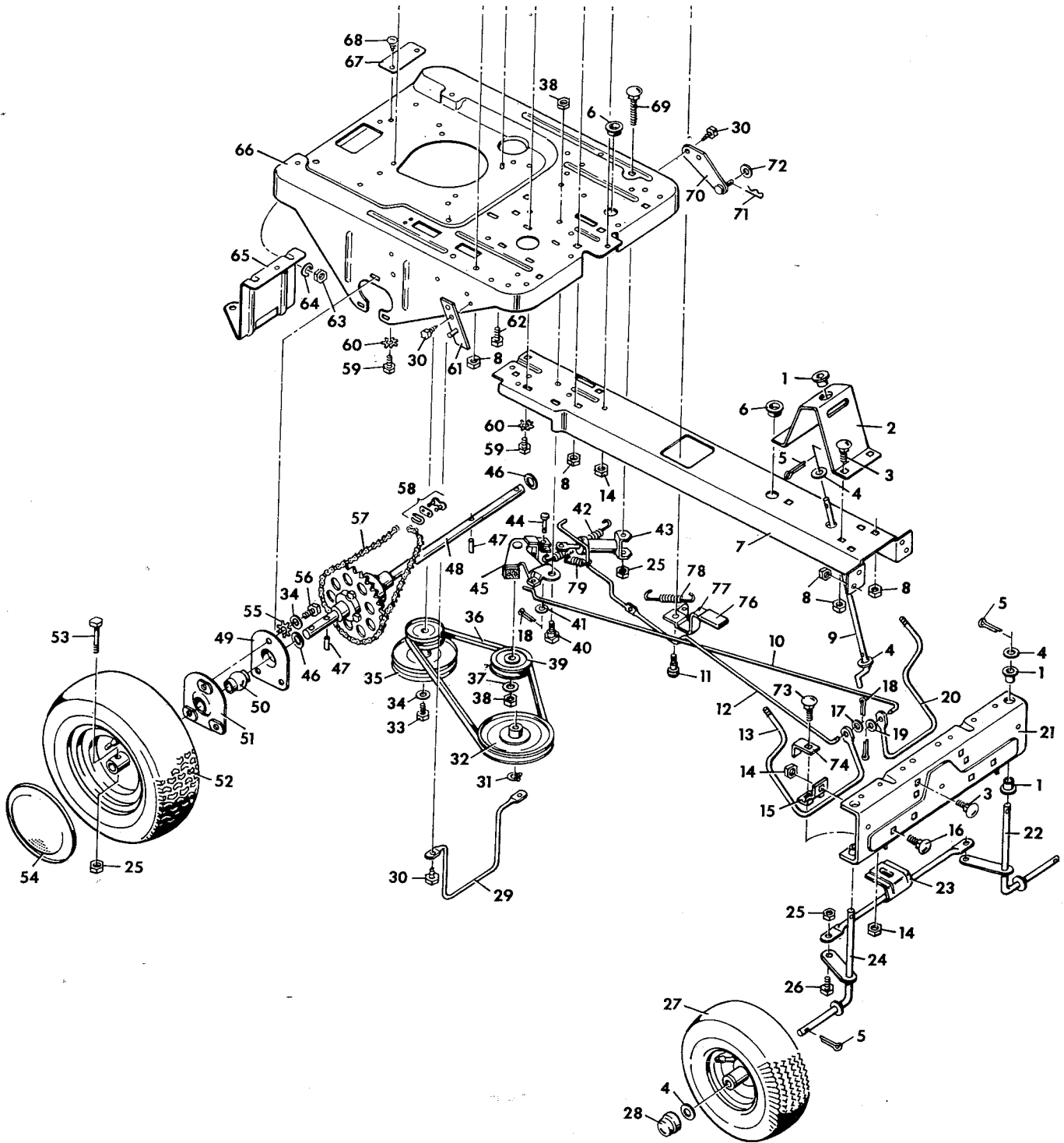


Model 5-3063

Key No.	Part No.	Description
1	21311	Steering Wheel
2	21303	Steering Wheel Cap
3	32X67	Spring
4	21132	Upper Steering Post
5	21133C	Steering Post Sleeve
6	6X59	Hex Cap Screw 5/16-18X2
7	15X76	Keps Nut
8	21175	Coupling
9	26X160	Self Tapping Screw #8X5/8
10	21136	Nylon Bearing
11	21144	Control Plate
12	21155	Console Pod
13	21269C	Bezel
14	26X50	Screw 5/16X5/8
15	17X47Z	Washer
16	21143	Console & Cap Ass'y.
17	21223PA	Remote Control Unit
18	21127E	Clutch & Brake Pedal Ass'y.
19	21051E	Pedal Back-Up Plate
20	15X63	Hex Nut
21	2X56	Carriage Bolt
22	21101	Running Board
23	20996	Hanger Brkt. Ass'y.
24	15X79	Flange Nut
25	17X67Z	Plain Washer
26	20692	Hair Pin Cotter
27	21176	Rubber Mat R.H.
28	2X53	Carriage Bolt
29	19X4	Shakeproof Washer
30	14X77	Acorn Nut
31	21177	Rubber Mat L.H.
32	1X73	Hex Bolt
33	21369PA	Transmission*
34	15X64	Hex Nut
35	19X36	Shakeproof Washer
36	1X78	Bolt
37	21048Z	Seat Hinge
38	15X43Z	Nut
39	20926	Seat Bracket
40	20697	Woodruff Key #9
41	20062	Woodruff Key #6
42	15X42	Hex Locknut
43	----	Engine
44	21824	Shroud Ass'y.
45	1X45	Hex Bolt 5/16-18X5/8
46	21248	Seat Pad
47	2X55	Carriage Bolt 1/2-13X1
48	21105	Seat Pan Unit
49	21820	Hood
50	21821	Hood Base
51	26X199	Self Tapping Screw
	21320	Parts Bag

* Note: Complete illustration of transmission shown on page 94.

Model 5-3063
Riding Mower - Drive Section

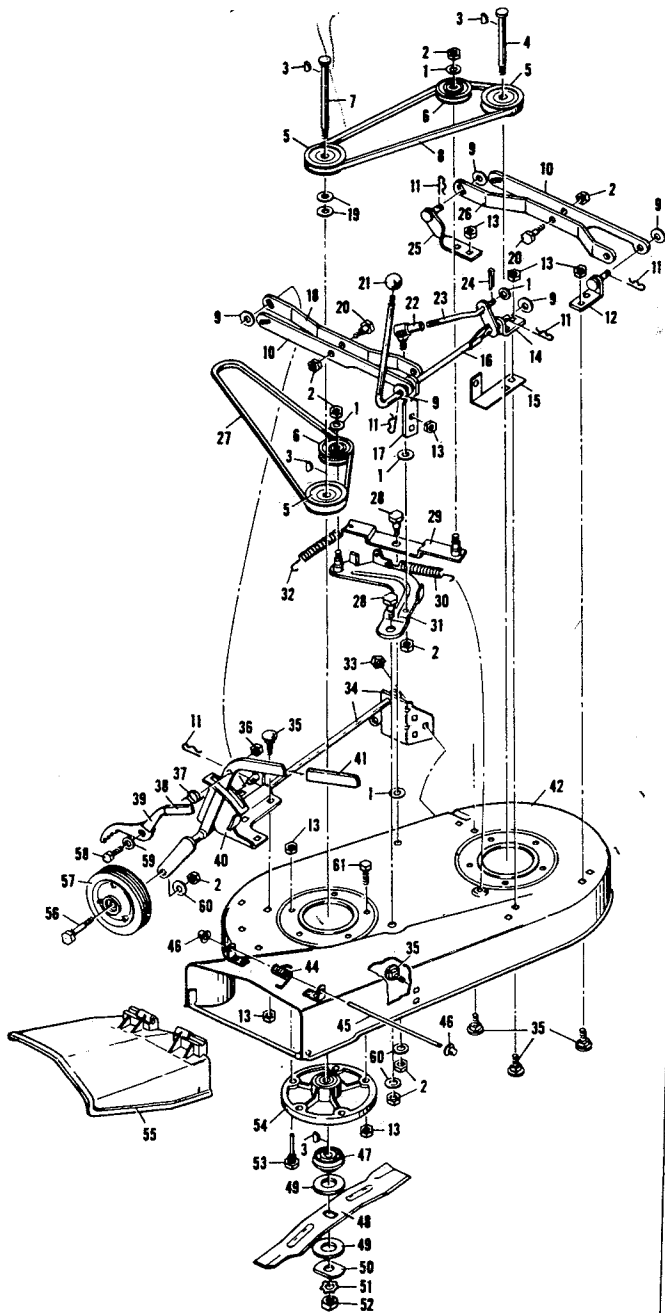


Model 5-3063

Key No.	Part No.	Part Name	Key No.	Part No.	Part Name
1	20587	Nylon Bearing	39	20613	Idler Pulley
2	21071	Steering Support	40	20662	Shoulder Bolt
3	2X56	Carriage Bolt 3/8-16X 3/4	41	17X37	Plain Washer
4	17X100Z	Plain Washer	42	20682	Spring-Drive Idler
5	30X49	Cotter Pin	43	20891	Air Cylinder & Bracket
6	21268	Grommet	44	29X94	Clevis Pin
7	21108	Frame Channel	45	20670	Drive Idler Assy.
8	15X68	Flange Nut 3/8-16	46	61961Z	Plain Washer
9	21134	Lower Steering Post	47	32X65	Spring Pin
10	21110	Clutch Rod	48	20685	Differential & Axle*
11	6X46	Shoulder Screw	49	20570Z	Retainer — Inner
12	21126	Brake Rod	50	20568	Rear Axle Bearing
13	21106	Brake Lever	51	21009Z	Outer Bearing & Retainer Assy.
14	15X79	Flange Nut 5/16-18	52	20752	Rear Wheel & Tire
15	20572	Clamp		133X3	Tire - Only
16	2X53	Carriage Bolt 5/16-18X5/8		135X3	Wheel
17	17X46	Plain Washer		20267	Valve Stem & Cap - Tubeless
18	30X20	Cotter Pin	53	1X81	Hex Bolt 5/16-18X1-5/8
19	17X32	Plain Washer	54	20797	Hub Cap
20	21107	Clutch Lever	55	19X7	Shakeproof Washer
21	20545	Front Axle Beam	56	1X77	Hex Bolt 3/8-24X5/8
22	21309	Spindle & Arm Assy. - L.H.	57	20732	Chain & Link 34 1/2 #41
23	21304	Tie Bar Assy.	58	20730	Connecting Link — #41 Chain
24	21308	Spindle & Arm Assy. - R.H.	59	1X45	Hex Bolt 5/16-18X5/8
25	15X43Z	Locknut 5/16-18	60	19X6	Shakeproof Washer
26	20660	Shoulder Bolt	61	21300	Hanger & Pin Assy. - R.H.
27	20743	Front Wheel & Tire Assy.	62	1X74	Hex Bolt 5/16-24X1 1/4
	133X2	Tire	63	15X2	Hex Nut 5/16-18
	134X2	Tube	64	18X15	Lockwasher
	135X2	Wheel	65	21047Z	Hitch
	20745	Front Wheel Bearing (Not Shown)	66	21119	Engine Base
28	20796C	Hub Cap	69	2X58	Carriage Bolt 5/16-18X2 1/2
29	20677	Belt Guide	70	20510	Hanger & Pin Assy. - L.H.
30	26X50	Hex Tapping Screw 5/16X5/8	71	20692	Hair Pin Cotter
31	20698	Retainer Ring	72	17X67Z	Plain Washer
32	20614	Transmission Pulley	73	2X16	Carriage Bolt
33	1X20	Hex Bolt 5/8-24X1	74	20709	Brace
34	10851Z	Plain Washer	76	22196	Grip
35	20626Z	Stack Pulley Assy.	77	21829	Parking Brake Lever
36	20716	Drive Belt	78	21818	Spring Parking Brake
37	17X53Z	Plain Washer	79	21041	Pedal Spring
38	15X12	Locknut 3/8-16			

* Note: Complete illustration of differential shown on page 99.

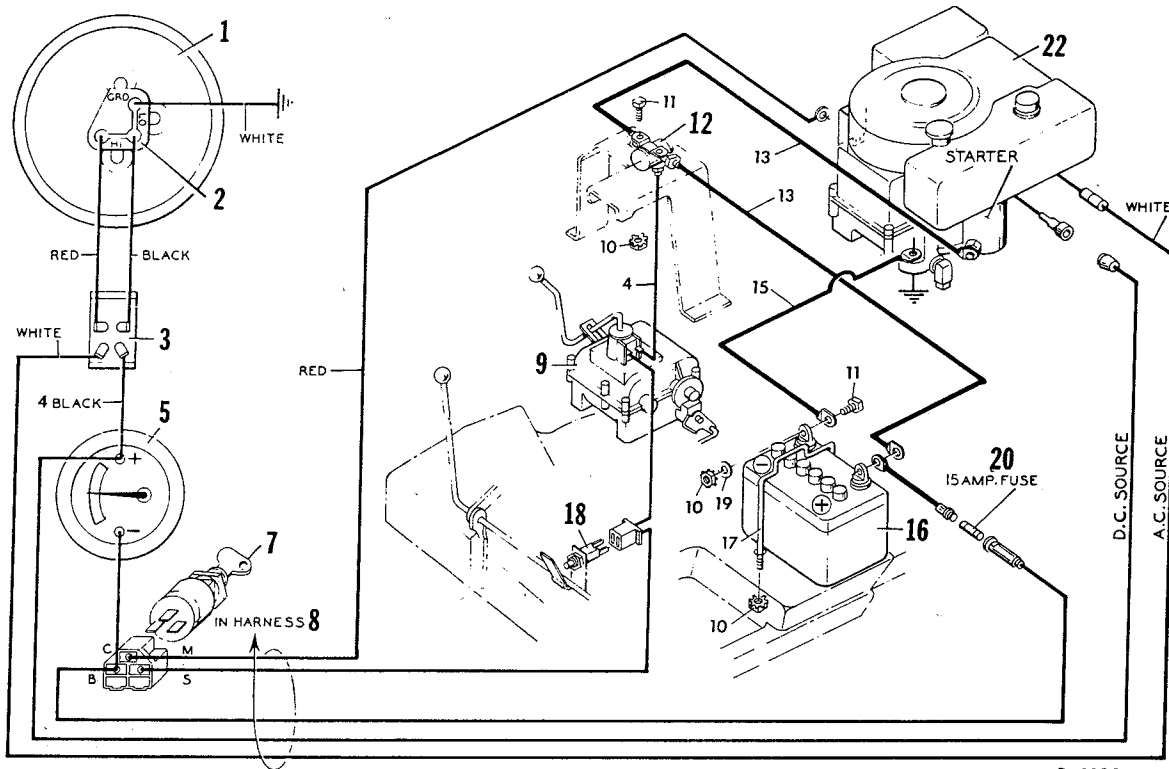
**Model 5-3043 and
5-3063
Blade Housing**



Complete Blade Housing No. 400184

Key No.	Part No.	Description
1	17X53	Washer
2	15X12	Hex Nut
3	20062	Woodruff Key #6
4	20616	Jackshaft Short
5	21022	Jackshaft Pulley
6	20613	Idler Pulley
7	21024	Jackshaft Long
8	20555	Cross Drive Belt
9	17X67	Washer
10	20644	Outer Scissor Arm
11	20692	Hair Pin Cotter
12	20994	Scissor Brkt. Assy. L.H. Front
13	15X43	Hex Nut
14	20936	Hanger Brkt.
15	21216	Switch Retainer
16	21138C	Lever & Link Assy.
17	21019	Housing Brkt.
18	20642	Inner Scissor Arm R.H.
19	17X87Z	Washer
20	20661	Shoulder Bolt
21	20739	Knob
22	21031	Ball Joint
23	20509	Link Rod
24	30X20	Cotter Pin
25	21020	Scissor Brkt. Assy. L.H. Rear
26	20643	Inner Scissor Arm L.H.
27	20556	Primary Blade Belt
28	20662	Shoulder Bolt
29	20944	Idler Brkt. Assy.
30	20684	Drive Spring
31	20653	Blade Idler Brkt. Assy.
32	20682	Idler Spring
33	15X79	Hex Nut
34	20759	Lifter Mechanism Assy.
35	2X53	Carriage Bolt
36	15X67	Hex Nut
37	20477	Spring
38	20476	Grip
39	20475	Latch
40	21161	Lifter Brkt. Assy.
41	21249	Grip
42	400181	Blade Housing Assy.
44	21189	Torsion Spring
45	21197Z	Deflector Rod
46	28X23	Push-On-Cap
47	20617	Blade Adapter
48	20928	Blade
49	21673Z	Blade Washer
50	20663Z	Washer
51	18X27	Washer
52	15X72	Hex Nut
53	20619	Guide Bolt
54	20551	Jack Shaft Housing Assy.
55	21826	Chute Deflector
56	20086	Axle Bolt
57	21027	Gauge Wheel
58	1X76	Bolt
59	17X36	Washer
60	10851Z	Washer
61	1X73	Hex Bolt

**Model 5-3063
Wiring Diagram**



D-2002

Key No.	Part No.	Description
1	20837	Seal Beam Light
2	21290	Socket
3	20776PA	Light Switch
4	21265	Jumper Wire 8"
5	21057PA	Ammeter
7	21571PA	Switch & Key
8	21805	Wiring Harness & Switch
9	21369PA	Transmission
10	15X66	Keps Nut
11	1X38	Hex Bolt
12	21261	Solenoid Switch
13	21264	Battery Wire - Long
15	20762	Battery Cable
16	21075	Battery
17	21060Z	Battery Hold Down
18	20608PA	Limit Switch
19	17X36Z	Washer
20	21023	Fuse - 15 Amp.
22	----	Engine
	20756	Key Only