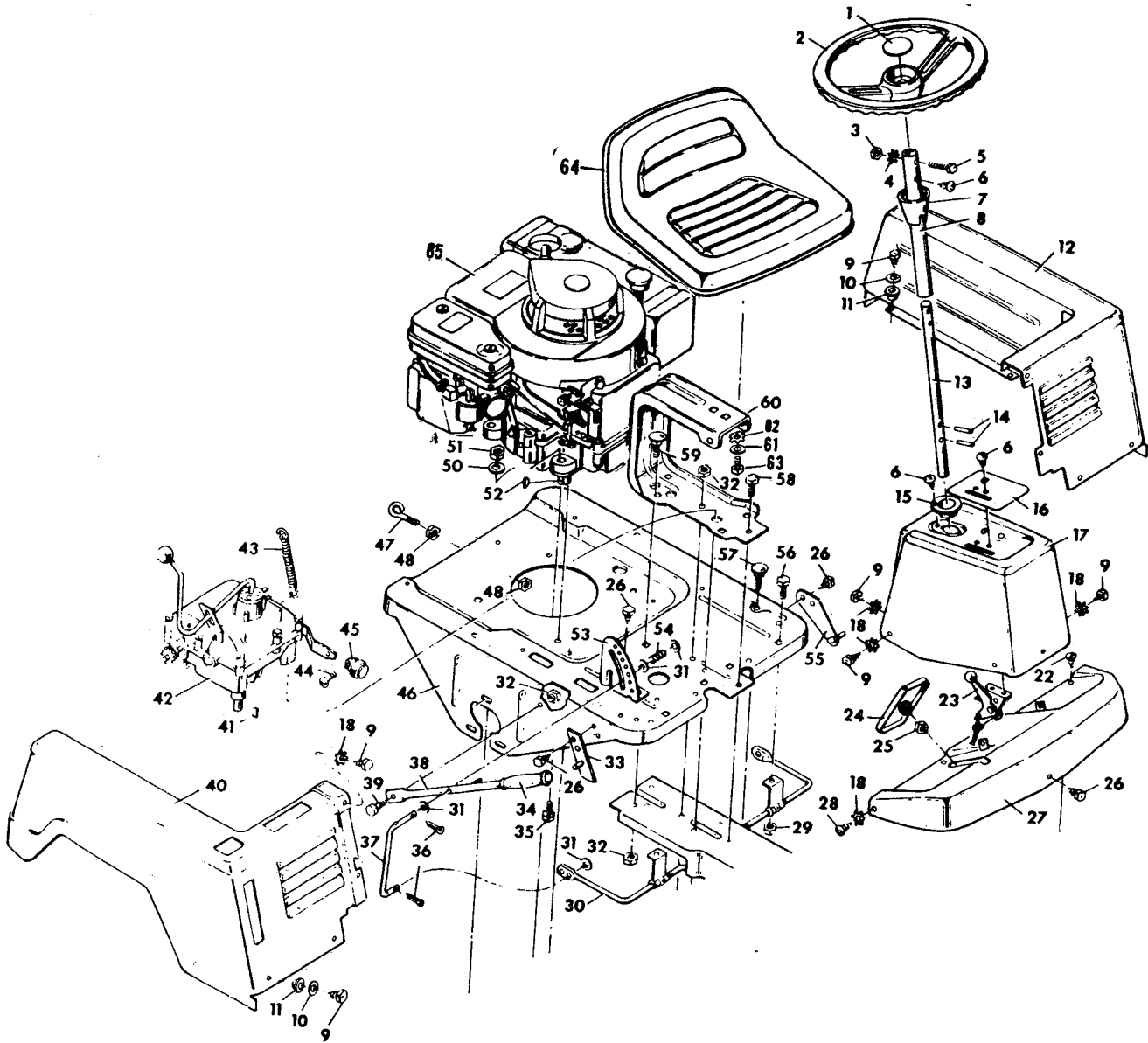


5-3013

Riding Mower - Body Section

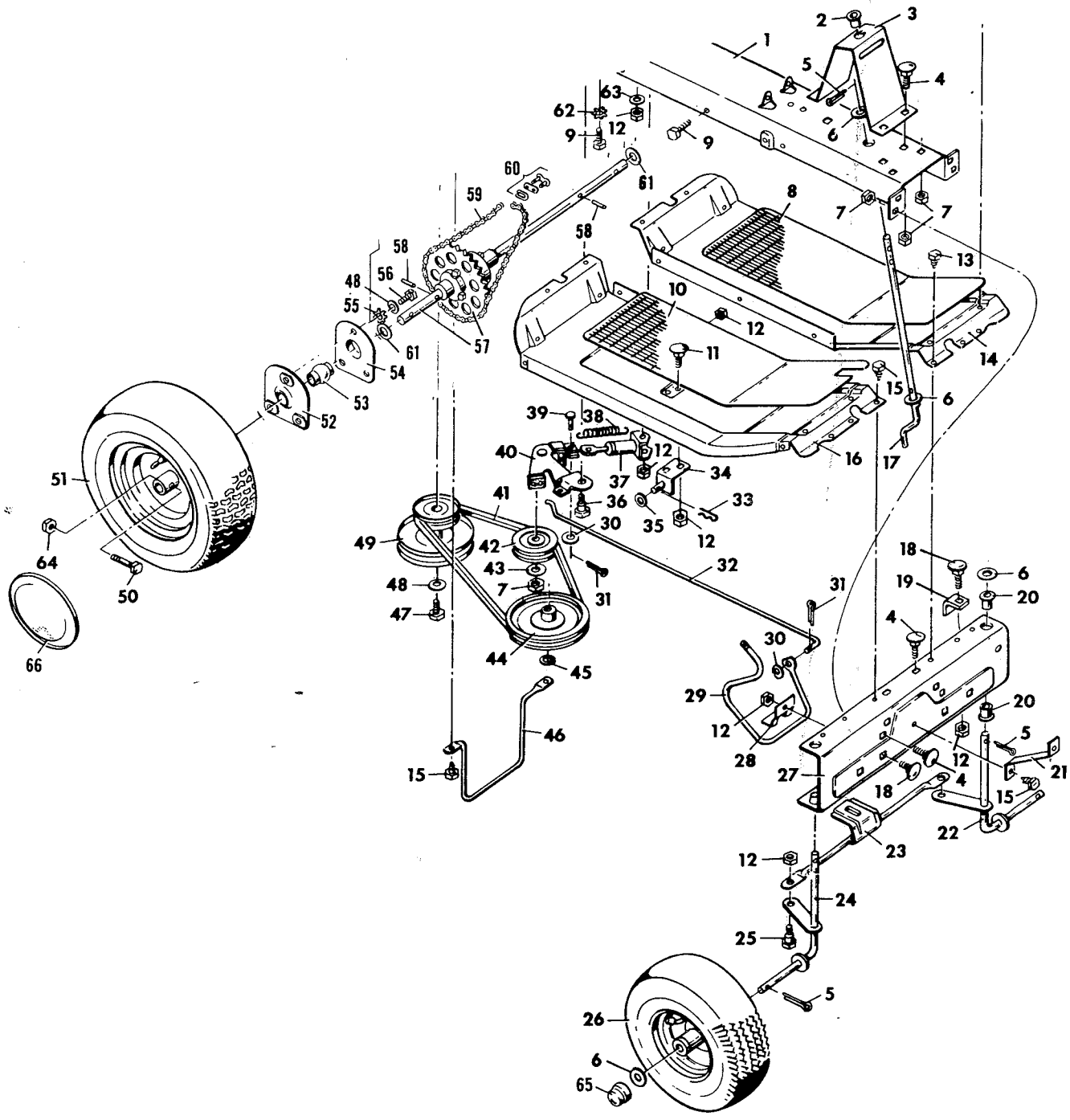


**Model 5-3013**

Key No.	Part No.	Part Name	Key No.	Part No.	Part Name
1	21303	Steering Wheel Cap	37	20672Z	Connector Rod
2	21302	Steering Wheel	38	20658Z	Lever & Pin Ass'y.
3	15X1	Hex Nut ¼ - 20	39	20662	Shoulder Bolt
4	19X4	Shakeproof Washer	40	20792	Shroud Ass'y. R.H.
5	6X58	Hex Bolt ¼ - 20X1 ½	41	20697	Woodruff Key
6	26X159	Self Tapping Screw #8X3/8	42	21370PA	Transmission*
7	21171	Collar	43	21021	Spring
8	21172C	Sleeve	44	26X188	Screw
9	26X184	Hex Tapping Screw #10X5/8	45	20841	Brake Lever Knob
10	17X106	Washer	46	20530	Engine Base
11	20720	Grommet	47	20696	Eye Bolt
12	20599	Shroud Ass'y. L.H.	48	15X33	Hex Nut 3/8-24
13	20865	Steering Post	50	17X47	Plain Washer
14	32X70	Spring Pins	51	15X42	Locknut 5/16-24
15	21034	Nylon Bearing	52	20062	Woodruff Key
16	20496	Control Plate	53	20636	Index Brk't.
17	20497	Console Ass'y.	54	20680	Lifter Spring
18	19X1	Shakeproof Washer	55	20510	Hanger & Pin Ass'y. L.H.
22	26X179	Tapping Screw #10X ½	56	1X45	Hex Bolt 5/16-18X5/8
23	21223	Remote Control	57	2X58	Carriage Bolt
24	20575E	Pedal	58	1X73	Hex Bolt 5/16-18X7/8
25	15X63	Hex Nut	59	2X56	Carriage Bolt 3/8-16X7/8
26	26X50	Hex Tapping Screw 5/16X5/8	60	20630	Seat Bracket
27	20473	Apron Ass'y.	61	17X67	Washer
28	26X186	Truss Hd. Tap Screw #10X ½	62	19X36	Shakeproof Washer
29	15X42	Locknut 5/16-24	63	1X88	Hex Bolt ½"-13
30	20635	Lifting Rod & Hinge Ass'y.	64	21811	Seat
31	17X46Z	Plain Washer	65	----	Engine
32	15X68	Locknut 3/8-16		21817	Parts Bag
33	<del>20291</del>	Hanger & Pin Ass'y. R.H.			
34	20718	Grip			
35	1X66	Hex Bolt 5/16-24X1 ¼			
36	30X20	Cotter Pin			

\* Note: Complete illustration of transmission shown on page 93.

**Model 5-3013**  
**Riding Mower - Drive Section**

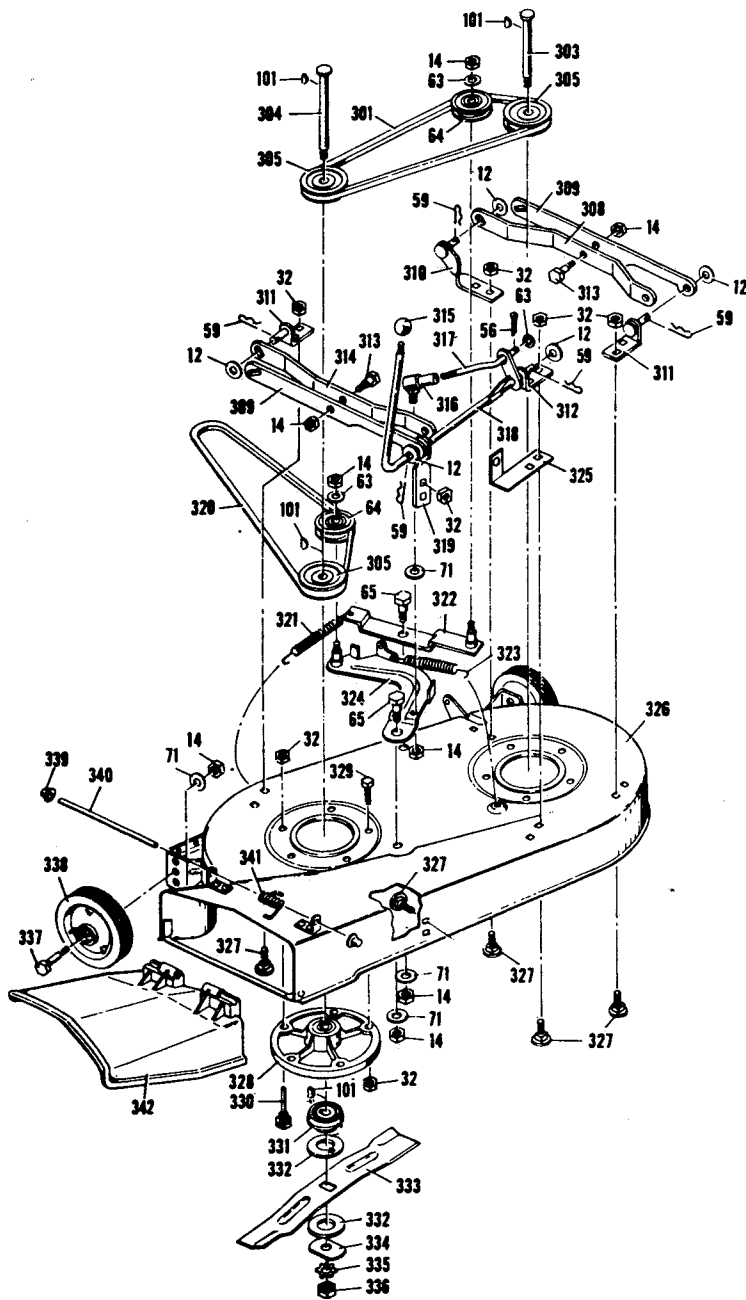


**Model 5-3013**

Key No.	Part No.	Description	Key No.	Part No.	Description
1	20493	Frame Channel	34	20996	Hanger Bracket
2	20587	Nylon Bearing	35	17X67Z	Washer
3	21071	Steering Support	36	20662	Shoulder Bolt
4	2X56	Carriage Bolt 3/8-16X 3/4	37	20891	Air Cylinder
5	30X49	Cotter Pin	38	20682	Spring - Drive Idler
6	17X100	Plain Washer	39	29X94	Clevis Pin
7	15X68	Locknut 3/8-16	40	20670	Drive Idler Ass'y.
8	20691	Mat L.H.	41	20716	Drive Belt
9	1X45	Hex Bolt 5/16-18X5/8	42	20613	Idler Pulley
10	20690	Mat R.H.	43	17X53	Plain Washer
11	2X53	Carriage Bolt 5/16-18X5/8	44	20614	Transmission Pulley
12	15X79	Hex Nut 5/16-18	45	20698	Retainer Ring
13	26X50	Hex Tapping Screw 5/16X5/8	46	20515	Belt Guide
14	20541	Running Board - L.H.	47	1X20	Hex Bolt 3/8-24X1
15	26X50	Hex Tapping Screw 5/16X5/8	48	10851Z	Washer
16	20540	Running Board - R.H.	49	20626Z	Stack Pulley Ass'y.
17	20864	Lower Steering Post	50	1X81	Hex Bolt 5/16-18X1-5/8
18	2X53	Carriage Bolt 5/16-18X5/8	51	20752	Wheel & Tire
19	20709	Stop Brace		133X3	Tire Only
20	20587	Nylon Bearing		135X3	Wheel Only
21	20639	Apron Support		20267	Valve Stem & Cap - Tubeless
22	21309	Spindle & Arm Ass'y. - L.H.	52	21009Z	Outer Bearing Retainer
23	21304	Tie Bar	53	20568	Bronze Bearing
24	21308	Spindle & Arm Ass'y. - R.H.	54	20570Z	Retainer - Inner
25	20660	Shoulder Bolt	55	19X7	Shakeproof Washer
26	20743	Front Wheel & Tire	56	1X77	Hex Bolt 3/8-24X5/8
	133X2	Tire Only	57	20685	Differential*
	134X2	Tube Only	58	32X65	Spring Pin
	135X2	Wheel Only	59	20732	Chain & Link
	20745	Front Wheel Bearing (not shown)	60	20730	Connecting Link #41 Chain
27	20545	Front Axle Beam	61	61961Z	Washer
28	20572	Clamp	62	19X6	Shakeproof Washer
29	20645	Clutch & Brake Lever	63	17X45	Plain Washer
30	17X37	Plain Washer	64	15X43Z	Lock Nut
31	30X20	Cotter Pin	65	20796C	Hub Cap - Front
32	20669	Brake Rod	66	20797	Hub Cap - Rear
33	20692	Hair Pin Cotter			

\* Note: Complete illustration of differential shown on page 99.

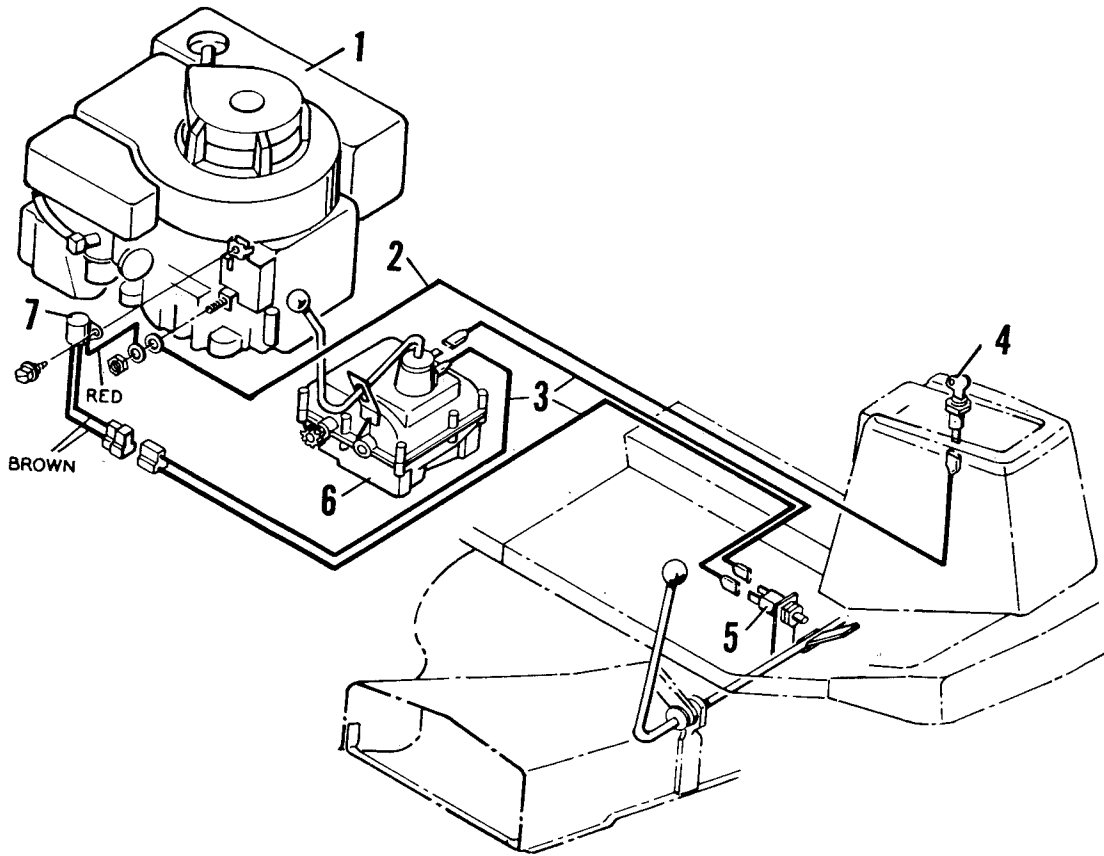
**Model 5-3013 and  
Model 5-3033  
Blade Housing**



Key No.	Part No.	Part Name
12	17X67Z	Plain Washer
14	15X12	Locknut (3/8-16)
32	15X43Z	Locknut (5/16-18)
56	30X20	Cotter Pin
59	20692	Hair Pin Cotter
63	17X53Z	Plain Washer
64	20613	Idler Pulley
65	20662	Shoulder Bolt
71	10851Z	Plain Washer
101	20062	Woodruff Key #6
301	20555	Cross Drive Belt
303	20616	Jack Shaft - Short
304	21024	Jack Shaft - Long
305	21022	Pulley
308	20643	Inner Arm - L.H.
309	20644	Outer Arm
310	21020	Scissors Brkt. Assy.
311	20994	Hanger Brkt. Assy.
312	20936	Hanger Brkt.
313	20661Z	Shoulder Bolt
314	20642	Inner Arm - P.H.
315	20739	Knob
316	21031	Ball Joint
317	20509Z	Link Rod
318	21138C	Lever & Link Assy.
319	21019	Housing Brkt.
320	20556	Primary Blade Belt
321	20682	Idler Spring
322	2139Z	Idler Brkt. Assy.
323	20684	Drive Spring
324	20653	Blade Idler Brkt. Assy.
325	21216	Safe Switch Retainer
326	21219	Housing & Brkt. Assy.
327	2X53	Carriage Bolt
328	20551	Jack Shaft Housing Assy.
329	1X73	Hex Bolt (5/16-18X7/8)
330	20619	Guide Bolt
331	20617	Blade Adapter
332	21673Z	Blade Cushion
333	20928	Blade
334	20663Z	Washer
335	19X36	Shake Proof Washer
336	15X72	Hex Nut (1/2X20)
337	20086	Axle Bolt
338	21027	Gauge Wheel
339	28X23	Push-On-Cap
340	21197Z	Deflector Rod
341	21189	Torsion Spring
342	21152	Chute Deflector

Complete Mower Housing No. 400171

**Model 5-3013  
Wiring Diagram**



Key No.	Part No.	Description
1	----	Engine
2	21212	Jumper Wire
3	21364	Wiring Harness
4	21211PA	Stop Switch & Key
5	20608PA	Limit Switch
6	21370PA	Transmission
7	21361	Control Module
	20756	Key Only