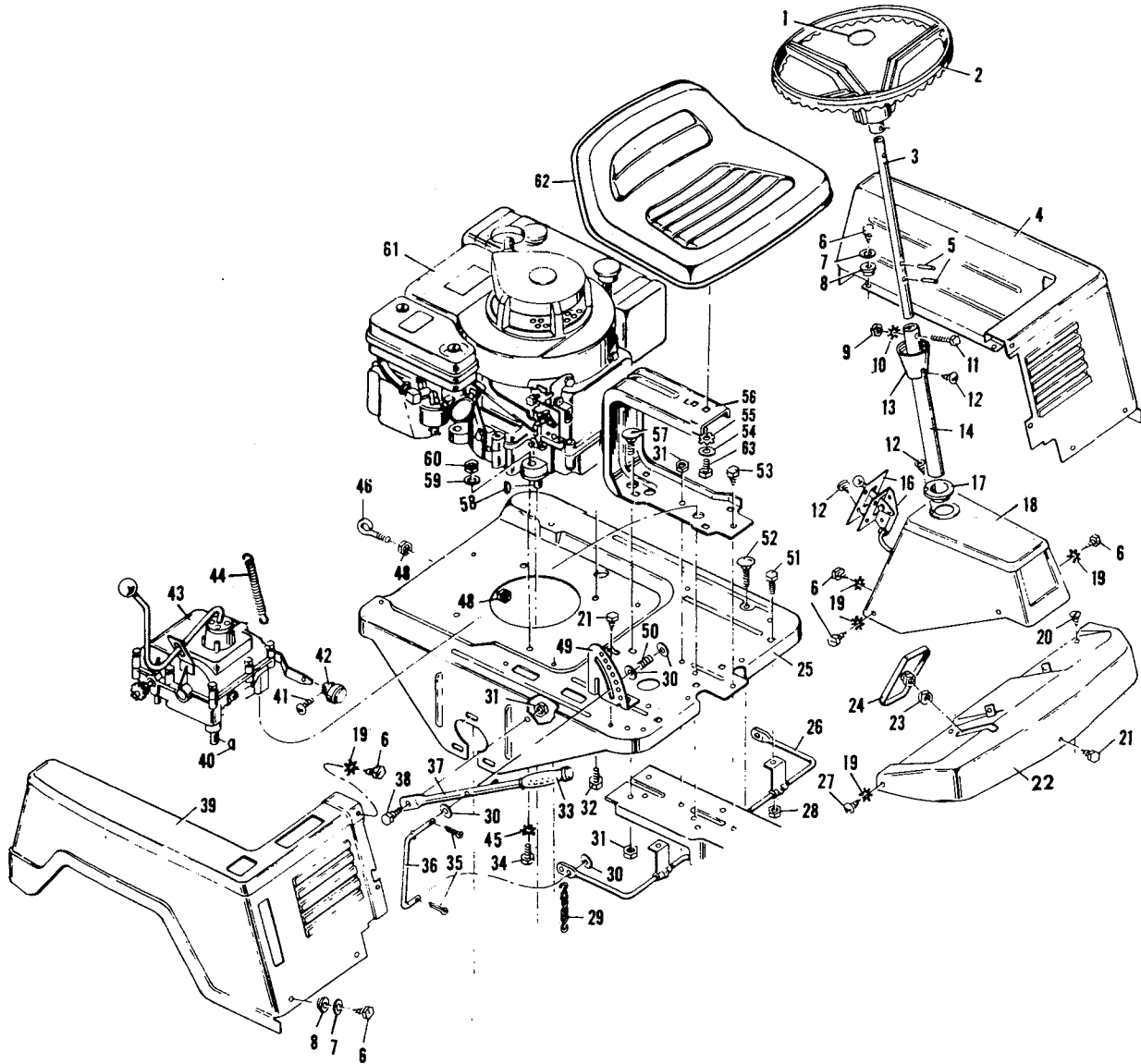


Model 5-2503
Riding Mower - Body Section

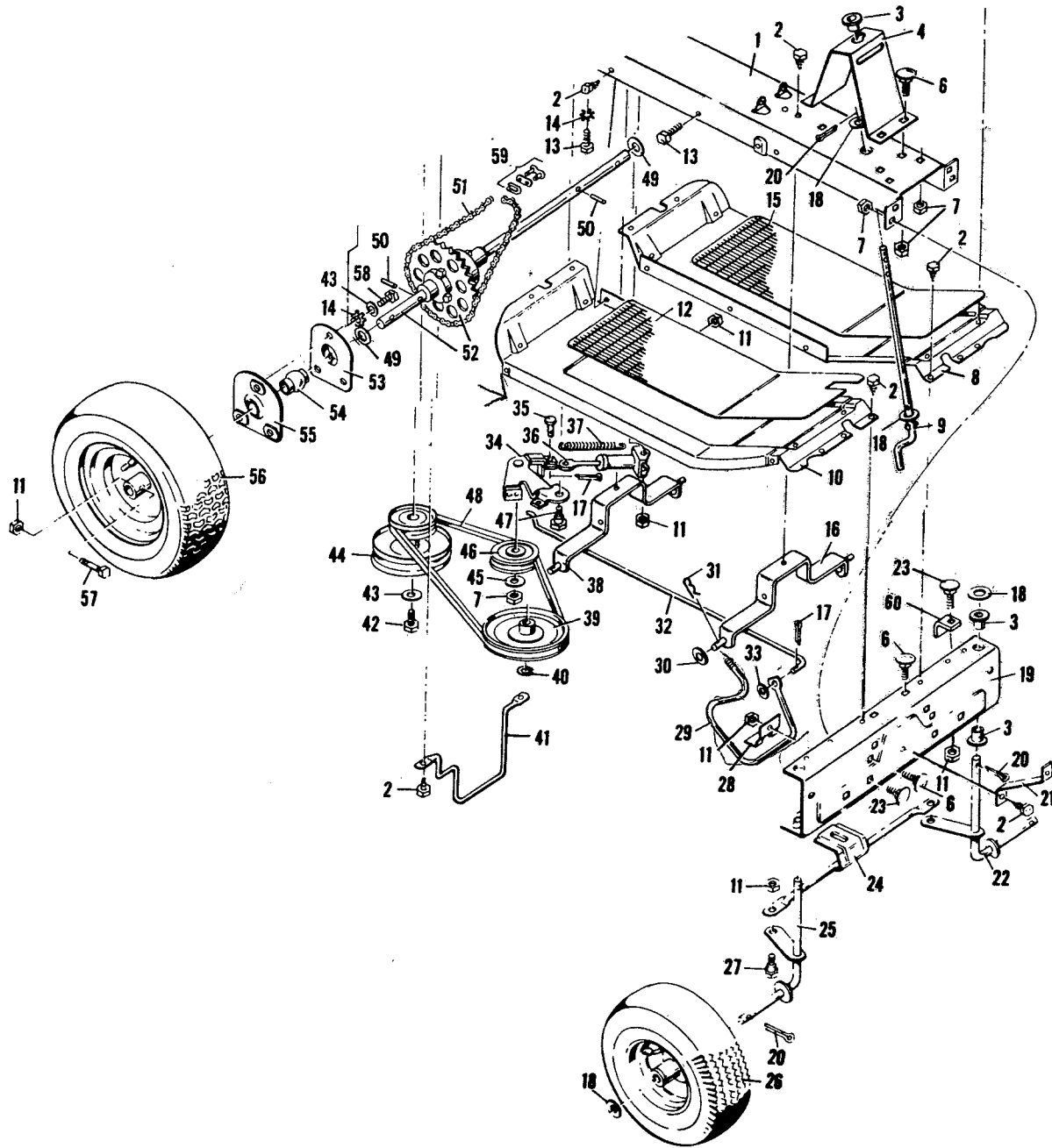


Model 5-2503

Key No.	Part No.	Part Name	Key No.	Part No.	Part Name
1	21303	Steering Wheel Cap	33	20718	Grip
2	21302	Steering Wheel	34	1X74	Bolt 5/16-18X5/8
3	20865	Steering Post	35	30X20	Cotter Pin
4	20599	Shroud Assy. L.H.	36	20672Z	Connector Rod
5	32X70	Spring Pins	37	20658Z	Lever & Pin Assy.
6	26X184	Hex Tapping Screw # 10X5/8	38	20662	Shoulder Bolt
7	17X106	Plain Washer	39	21117	Shroud Assy. R.H.
8	20720	Grommet	40	20697	Woodruff Key # 9
9	15X1	Hex Nut ¼-20	41	26X188	Self Tapping Screw # 8X¼
10	19X4	Shakeproof Washer	42	20841	Brake Lever Knob
11	6X58	Hex Cap Screw ¼-20-1½	43	21370PA	Transmission*
12	26X159	Self Tapping Screw # 8X3/8	44	21021	Brake Spring
13	21171	Steering Wheel Collar	45	19X6	Shakeproof Washer
14	21172C	Sleeve	46	20696	Eye Bolt
16	21221	Remote Control Unit	48	15X33	Hex Nut
17	21034	Nylon Bearing	49	20636	Index Bracket
18	20565	Console Assy.	50	20680	Spring Lifter
19	19X1	Shakeproof Washer	51	1X45	Hex Bolt
20	26X179	Tapping Screw	52	2X58	Carriage Bolt 5/16-18X2½
21	26X50	Hex Tapping Screw 5/16X5/8	53	26X51	Hex Tapping Screw 5/16X¾
22	20474	Apron Assy.	54	17X67	Washer
23	15X63	Hex Nut 7/16-14	55	19X36	Shakeproof Washer
24	20575E	Pedal Assy.	56	20630	Seat Bracket
25	20530	Engine Base	57	2X56	Carriage Bolt 3/8-16X¼
26	20635	Lifting Rod & Hinge Assy.	58	20062	Woodruff Key # 6
27	26X186	Truss Head Tap Screw # 10X½	59	17X47Z	Plain Washer
28	15X79	Hex Nut	60	15X42	Hex Nut 5/16-24
29	20699	Chain, Lifter	61	-----	Engine
30	17X46Z	Plain Washer	62	21810	Seat
31	15X12	Locknut 3/8-16	63	1X88	Hex Bolt ½"-13
32	20103	Hex Bolt 3/8-16X1"		21817	Parts Bag

* Note: Complete illustration of transmission shown on page 93.

Model 5-2503
Riding Mower - Drive Section

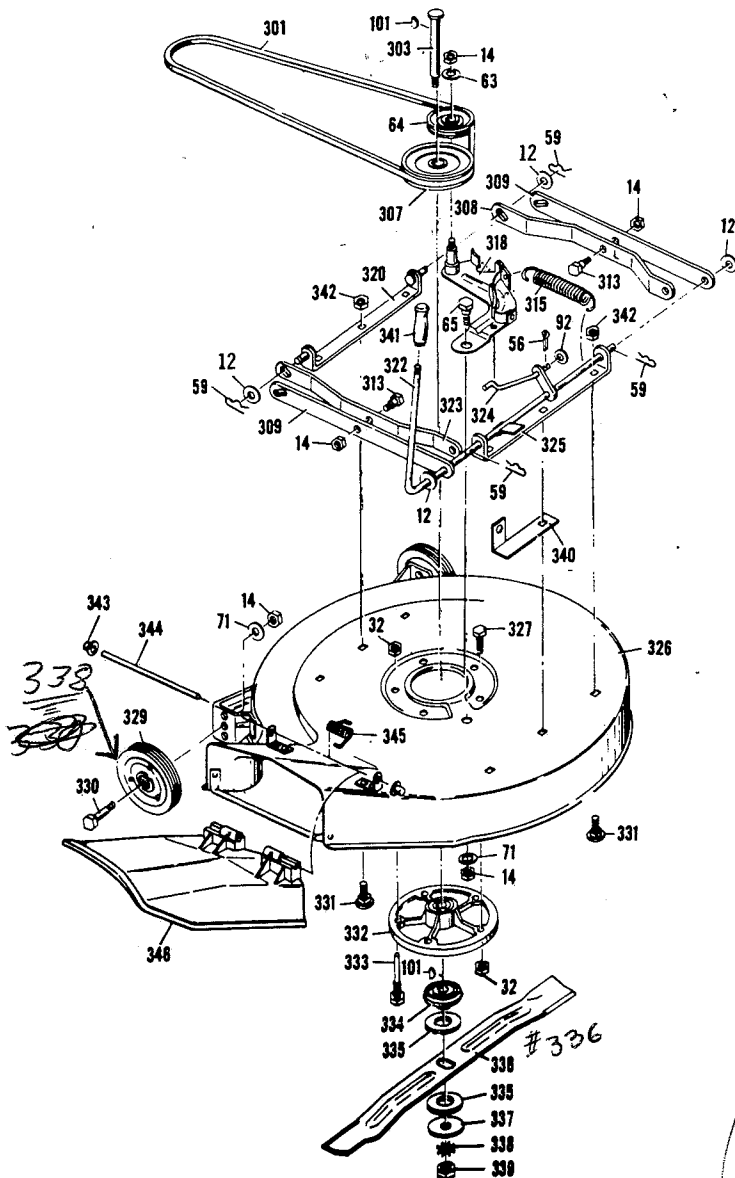


Model 5-2503

Key No.	Part No.	Part Name	Key No.	Part No.	Part Name
1	20544	Frame Channel	33	17X32	Plain Washer
2	26X50	Hex Tapping Screw 5/16X5/8	34	20670	Drive Idler Assy.
3	20587	Nylon Bearing	35	29X94	Clevis Pin
4	21071	Steering Support	36	20891	Air Cylinder & Brkt.
6	2X56	Carriage Bolt 3/8-16X 3/4	37	20682	Spring - Drive Idler
7	15X68	Locknut 3/8-16	38	20665	Rear Hanger Brkt. Assy.
8	20541	Running Board - L. Hand	39	20614	Transmission Pulley
9	20864	Lower Steering Post	40	20698	Retainer Ring
10	20540	Running Board - R. Hand	41	20677	Belt Guide
11	15X43	Locknut 5/16-18	42	1X20	Hex Bolt 3/8-24X1
12	20690	Mat R. Hand	43	10851Z	Plain Washer
13	1X45	Hex Bolt 5/16-18X5/8	44	20626Z	Stack Pulley Assy.
14	19X6	Shakeproof Washer	45	17X53	Plain Washer
15	20691	Mat L. Hand	46	20613	Idler Pulley
16	20664	Front Hanger Brkt. Assy.	47	20662	Shoulder Bolt
17	30X20	Cotter Pin	48	20716	Drive Belt
18	17X100	Plain Washer	49	61961Z	Plain Washer
19	20545	Front Axle Beam	50	32X65	Spring Pin
20	30X49	Cotter Pin	51	20734	Chain & Link 34-# 41
21	20639	Apron Support	52	20685	Differential*
22	21309	Spindle & Arm Assy. - L.H.	53	20570Z	Retainer - Inner
23	2X53	Carriage Bolt 5/16-18X5/8	54	20568	Rear Axle Bearing
24	21304	Tie Bar Assy.	55	21009Z	Outer Brg. Ret. Assy.
25	21308	Spindle & Arm Assy. - R.H.		133X1	Tire - Only
26	20742	Frnt. Wheel & Tire Assy.		134X1	Tube - Only
	20745	Front Wheel Bearing (Not Shown)		135X1	Wheel - Only
27	20660	Shoulder Bolt	56	21178	Rear Wheel & Tire Assy.
28	20572	Clamp	57	1X81	Hex Bolt 5/16-18X1-5/8
29	20645	Clutch & Brake Lever	58	1X77	Hex Bolt 3/8-24X5/8
30	17X67Z	Plain Washer	59	20730	Connecting Link - # 41 Chain
31	20692	Hair Pin Cotter	60	20709	Stop Brace
32	20669	Brake Rod			

* Note: Complete illustration of differential shown on page 99.

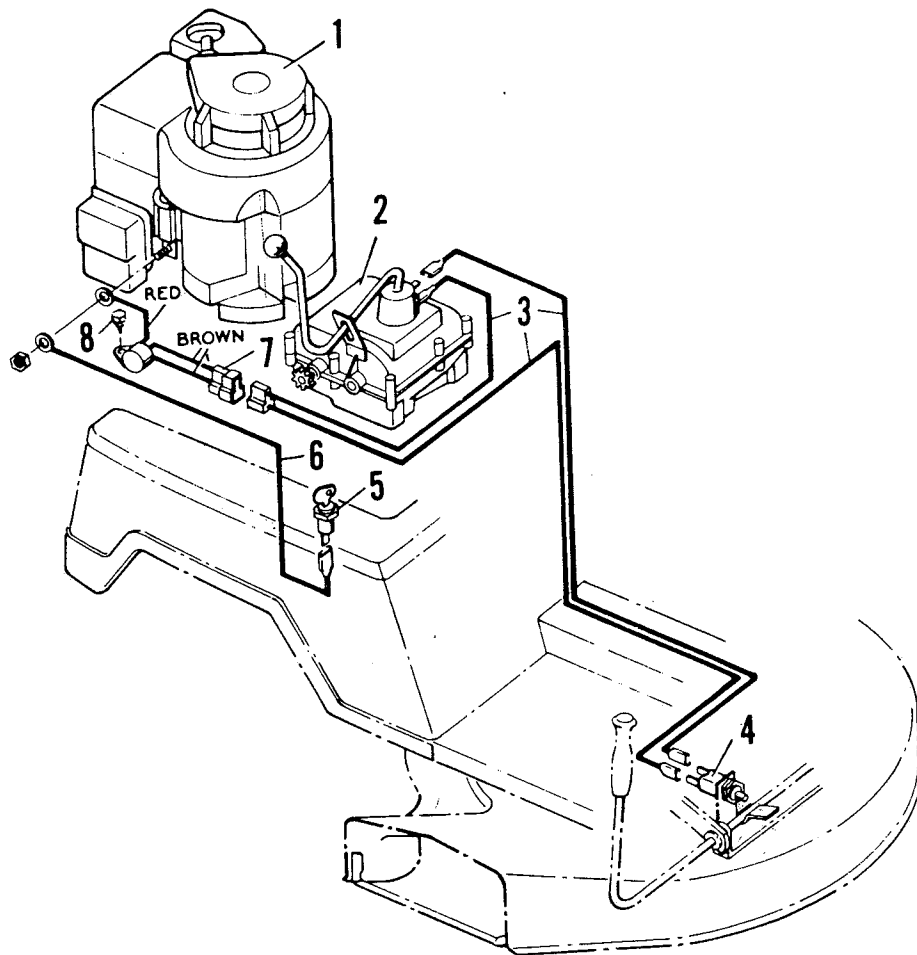
**Model 5-2503 and 5-2513
Blade Housing**



Key No.	Part No.	Part Name
12	17X67Z	Plain Washer
14	15X12	Locknut 3/8-16
32	15X43Z	Locknut 5/16-18
56	30X20	Cotter Pin
59	20692	Hair Pin Cotter
63	17X53Z	Plain Washer
64	20613	Idler Pulley
65	20662*	Shoulder Bolt
71	10851Z	Plain Washer
92	17X46	Plain Washer
101	20062	Woodruff Key #6
301	20717	Blade Belt
303	20616	Jack Shaft - Short
307	20615	Jack Shaft Pulley
308	20643	Inner Arm L.H.
309	20644	Outer Arm
313	20661Z	Shoulder Bolt
315	20681	Spring
318	20671	Idler Brk't. & Brace Assy.
320	20668	RR. Scissor Brk't. Assy.
322	21213Z	Lever and Link Assy.
323	20642	Inner Arm R.H.
324	20673Z	Rod-Blade Brake
325	20666E	Frt. Scissor Brk't.
326	21218	Housing & Brk'ts. Assy.
327	1X73	Hex Bolt 5/16-18X7/8
329	20629	Gauge Wheel
330	20086	Axle Bolt
331	2X54	Step Bolt 5/16-18X5/8
332	20551	Jackshaft Hsng. Assy.
333	20619	Guide Bolt
334	20617	Blade Adapter
335	21673Z	Blade Washer
336	20083	Blade
337	20663Z	Washer
338	18X27	Washer
339	15X72	Hex Nut 1/2-20
340	21216	Switch Retainer
341	20719	Grip
342	15X79	Flange Nut 5/16-18
343	28X23	Push-On-Cap
344	21197Z	Deflector Rod
345	21189	Torsion Spring
346	21151	Chute Deflector

Complete Mower Housing No. 400185

**Model 5-2503
Wiring Diagram**



Key No.	Part No.	Description
1	---	Engine
2	21370PA	Transmission
3	21364	Wiring Harness
4	20608PA	Limit Switch
5	21211PA	Stop Switch & Key
6	21212	Jumper Wire
7	21361	Control Module
8	26X185	Screw
	20756	Key Only