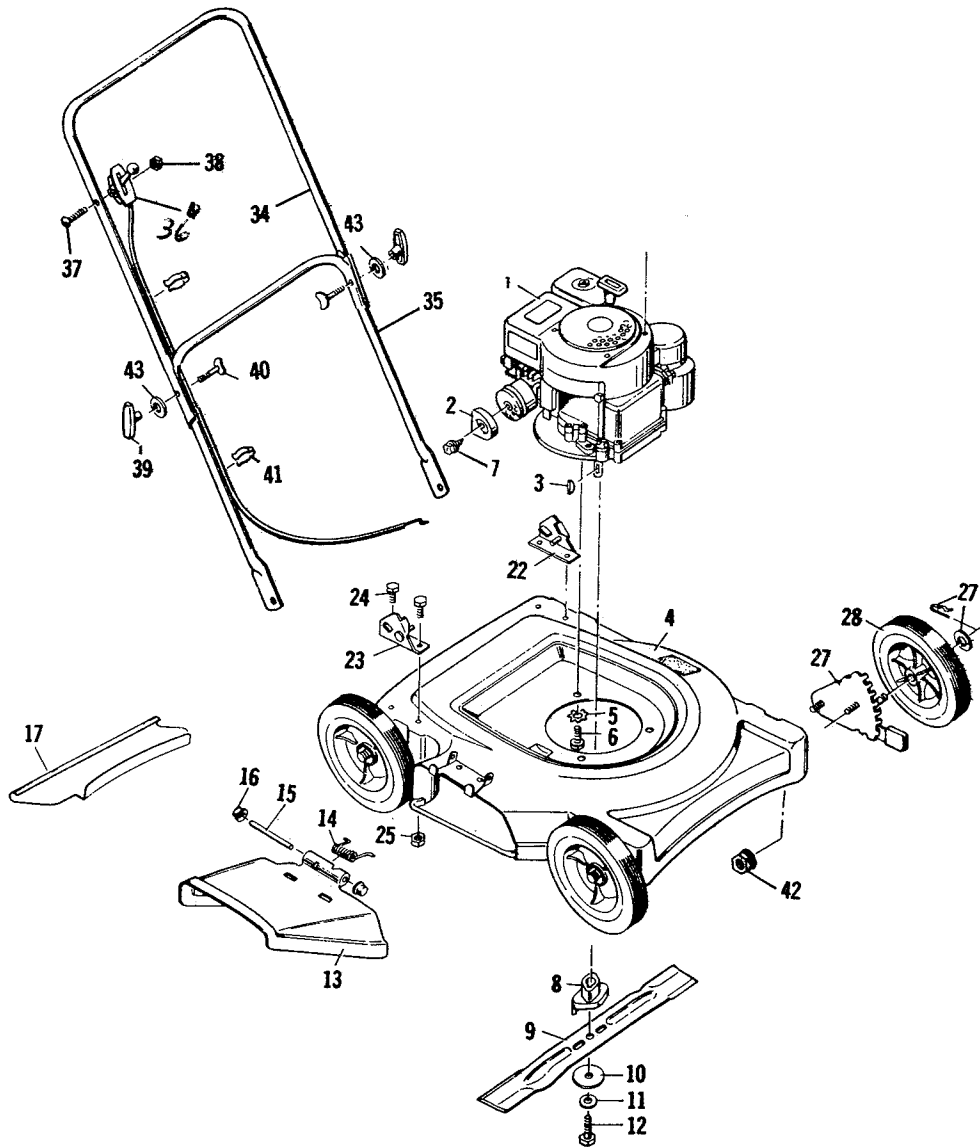


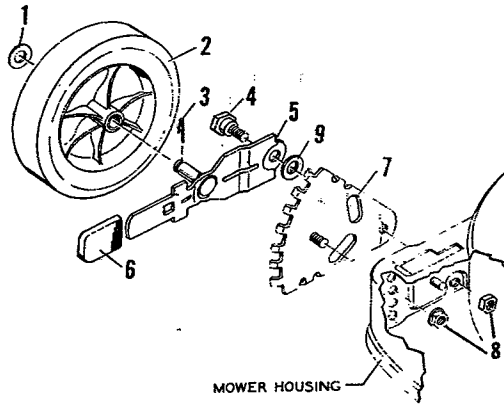
**5-2002 20" Deluxe
Rotary Mower**



Key No.	Model 5-2002 Part No.	Description	Key No.	Model 5-2002 Part No.	Description
1	-----	Engine	22	20199Z	L.H. Bracket & Weld Pin Assy.
2	20459	Exhaust Deflector	23	20198Z	R.H. Bracket & Weld Pin Assy.
3	20062	Woodruff Key	24	1X38	Hex Bolt
4	22075	Housing	25	15X82	Hex Nut
5	19X8	Shakeproof Washer	27	400148	Wheel Adjustor*
6	20103	Engine Bolt	28	20106	Wheel & Tire
7	20460	Exhaust Deflector Screw	34	20190C	Upper Handle Assy.
8	20050	Blade Adapter	35	20058C	Lower Handle Assy.
9	20045	Blade	36	22058	Control & Cable
10	20049Z	Washer	37	3X99	Bolt
11	17X101	Cup Washer	38	15X66	Keps Nuts
12	1X68	Blade Adapter Bolt	39	20266	Handle Knob
13	20454	Chute Deflector	40	20129	Contour Bolt
14	22052	Torsion Spring	41	20089	Cable Clips
15	22050Z	Pivot Pin	42	15X68	Stover Locknut
16	28X42	Push-On-Cap	43	17X46Z	Washer
17	20451	Rear Guard		22460	Parts Bag

* Note: See page 18 for parts list for 400148 wheel adjuster assembly.

**Wheel Adjuster Assembly
Model 400148**



Key No.	Model 400148 Part No.	Description	Key No.	Model 400148 Part No.	Description
1	17X102	Washer	5	22208Z	Arm & Axle Assembly
* 2	----	Wheel & Tire	6	22196	Lever Spring Knob
3	20101	Hair Pin Cotter	7	20113Z	Index Plate Assembly
4	22193	Shoulder Bolt	8	15X68	Flange Locknut
			9	22192	Spring Washer

* Not Included In Assembly.