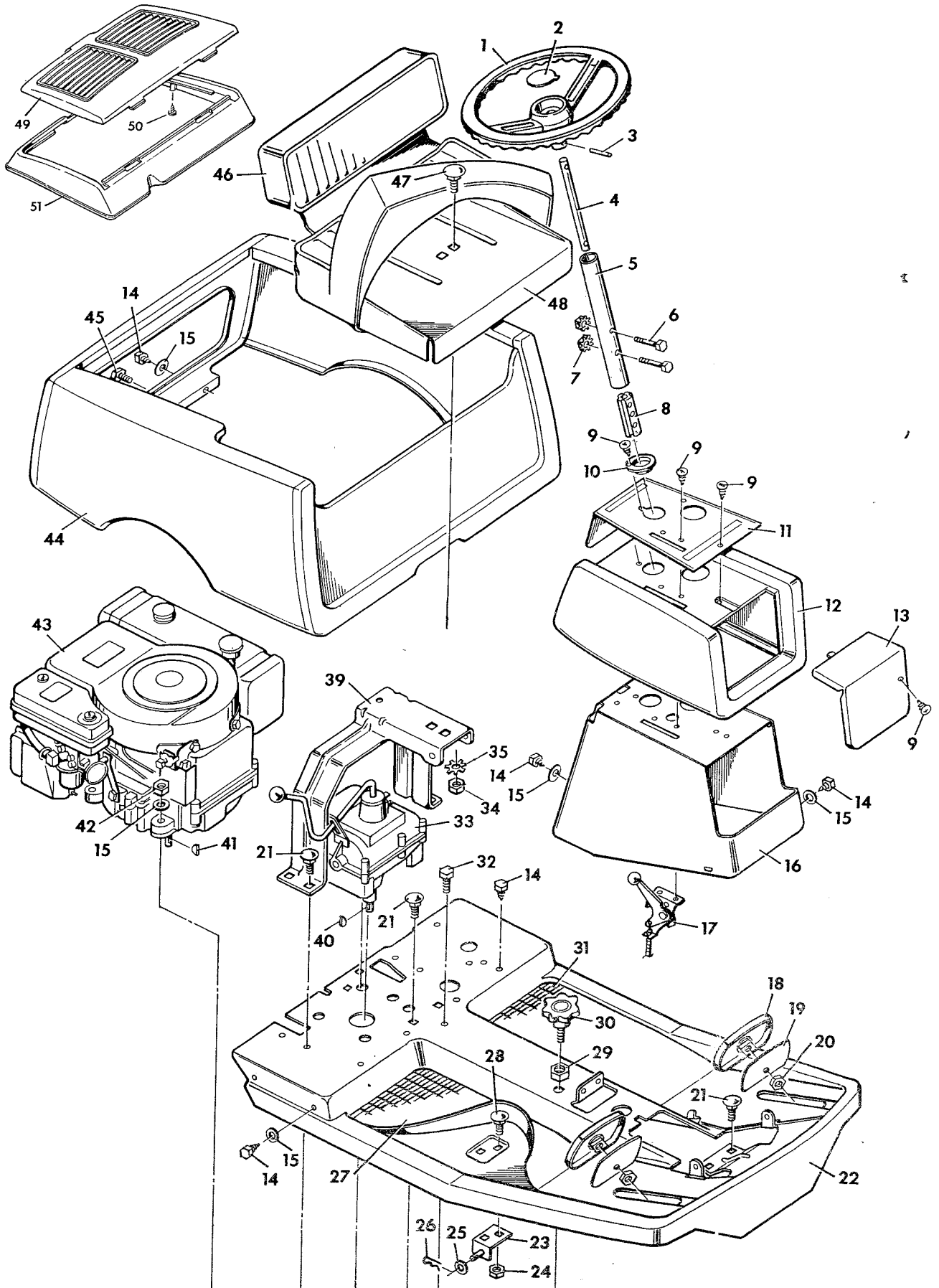


Model 4-3043 Riding



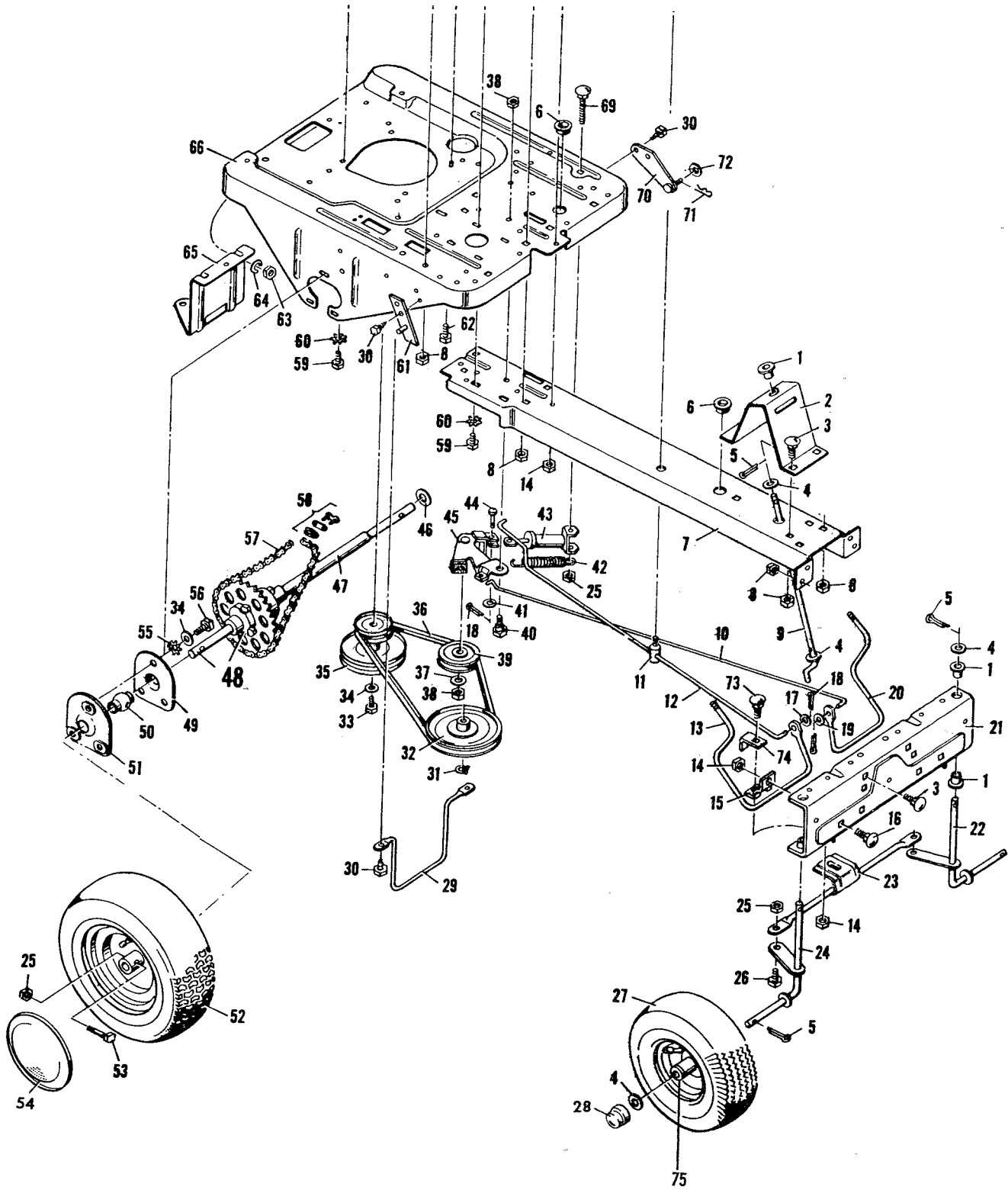
Model 4-3043

Item No.	Model 4-3043 Part No.	Description
1	21311	Steering Wheel
2	21303	Steering Wheel Cap
3	32x67	Spring Pin
4	21132	Upper Steering Post
5	21133C	Steering Post Sleeve
6	6x59	Hex Cap Screw 5/16-18x2
7	15x76	Keps Nut
8	21175	Coupling
9	26x160	Self Tapping Screw #8x5/8
10	21136	Nylon Bearing
11	21145	Control Plate
12	21155	Console Pod
13	21147C	Bezel
14	26x50	Screw 5/16x5/8
15	17x47Z	Washer
16	21143	Console & Cap Assy.
17	21222	Remote Control Unit
18	21127E	Clutch & Brake Pedal Assy.
19	21051E	Pedal Back-Up Plate
20	15x63	Hex Nut
21	2x56	Carriage Bolt
22	21101	Running Board
23	20996	Hanger Brkt. Assy.
24	15x79	Flange Nut

Item No.	Model 4-3043 Part No.	Description
25	17x67Z	Washer
26	20692	Hair Pin Cotter
27	21176	Rubber Mat R. H.
28	2x53	Carriage Bolt
29	15x74	Hex Nut
30	21017	Parking Brake Knob
31	21177	Rubber Mat L. H.
32	1x73	Hex Bolt
33	21369PA	Transmission*
34	15x64	Hex Nut
35	19x36	Shakeproof Washer
39	20926	Seat Bracket
40	20697	Woodruff Key #9
41	20062	Woodruff Key #6
42	15x42	Hex Locknut
43	----	Engine
44	21824	Shroud Assy.
45	1x45	Hex Bolt 5/16-18x5/8
46	21248	Seat Pad w/Back Rest
47	2x55	Carriage Bolt 1/2-13x1
48	21105	Seat Pan Unit
49	21820	Hood
50	21821	Hood Base
51	26x199	Self Tapping Screw

\* Note: Complete Illustration of Transmission Shown on page 99.

Model 4-3043  
Riding Mower  
Drive Section



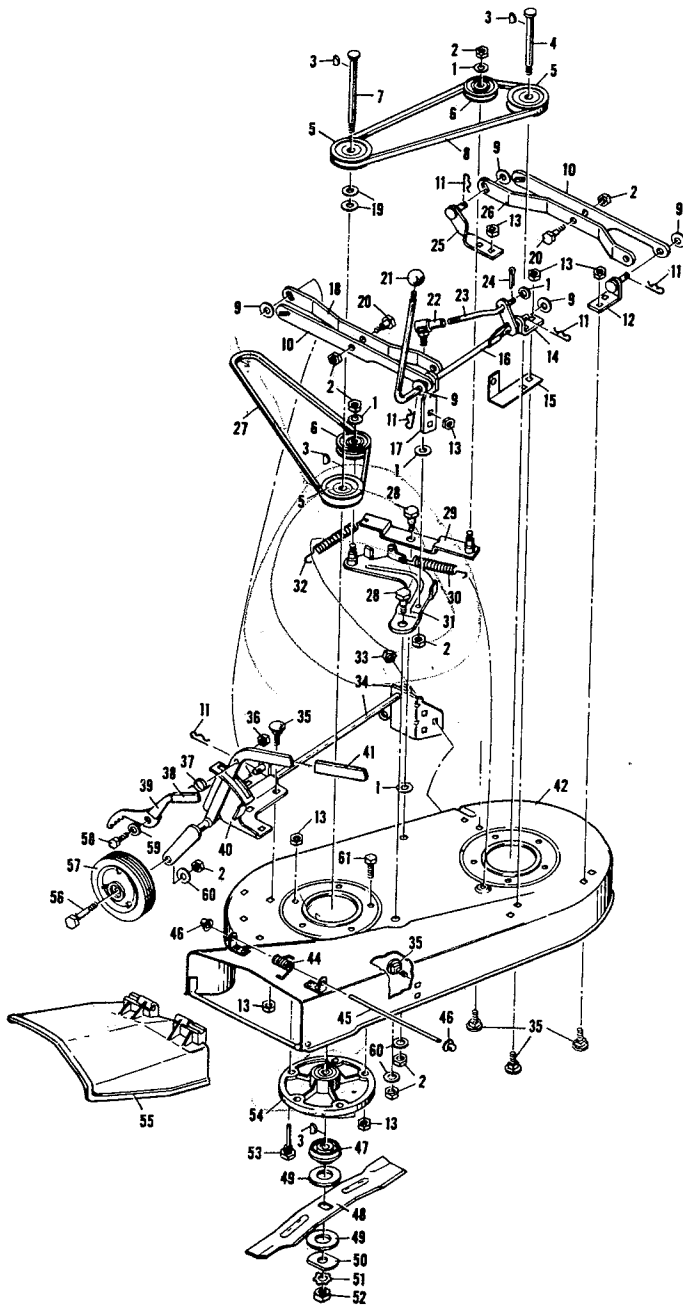
Model 4-3043

Item No.	Model 4-3043 Part No.	Description
1	20587	Nylon Bearing
2	21071	Steering Support
3	2x56	Carriage Bolt 3/8-16x3/4
4	17x100Z	Washer
5	30x49	Cotter Pin
6	21268	Grommet
7	21108	Frame Channel
8	15x68	Flange Nut 3/8-16
9	21134	Lower Steering Post
10	21110	Clutch Rod
11	21016	Parking Brake Base
12	21126	Brake Rod
13	21106	Brake Lever
14	15x79	Flange Nut 5/16-18
15	20572	Clamp
16	2x53	Carriage Bolt 5/16-18x5/8
17	17x46	Plain Washer
18	30x20	Cotter Pin
19	17x32	Plain Washer
20	21107	Clutch Lever
21	20545	Front Axle Beam
22	21309	Spindle & Arm Assy. - L. H.
23	21304	Tie Bar Assy.
24	21308	Spindle & Arm Ass. - R. H.
25	15x43Z	Locknut 5/16-18
26	20660	Shoulder Bolt
27	20743	Front Wheel & Tire Assy.
	133x2	Tire
	134x2	Tube
	135x2	Wheel
28	20796C	Hub Cap
29	20677	Belt Guide
30	26x50	Hex Tapping Screw 5/16x5/8
31	20698	Retainer Ring
32	20614	Transmission Pulley
33	1x20	Hex Bolt 5/8-24x1
34	10851 Z	Washer
35	20626 Z	Stack Pulley Assy.

Item No.	Model 4-3043 Part No.	Description
36	20716	Drive Belt
37	17x53Z	Washer
38	15x12	Locknut 3/8-16
39	20613	Idler Pulley
40	20662	Shoulder Bolt
41	17x37	Plain Washer
42	20682	Spring-Drive Idler
43	20891	Air Cylinder & Bracket
44	29x94	Clevis Pin
45	20670	Drive Idler Assy.
46	61961Z	Washer
47	20847Z	Rear Axle Sleeve
48	21179	Differential & Axle*
49	20570Z	Retainer - Inner
50	21131	Rear Axle Bearing
51	21009Z	Outer Bearing & Retainer Assy.
52	20752	Rear Wheel & Tire
	133x3	Tire - Only
	135x3	Wheel
	400162	Valve Stem & Cap - Tubeless
53	1x81	Hex Bolt 5/16-18x1-5/8
54	20797	Hub Cap
55	19x7	Shakeproof Washer
56	1x77	Hex Bolt 3/8-24x5/8
57	20732	Chain & Link 34 1/2 #41
58	20730	Connecting Link - #41 Chain
59	1x45	Hex Bolt 5/16-18x5/8
60	19x6	Shakeproof Washer
61	21300	Hanger & Pin Assy. - R. H.
62	1x74	Hex Bolt 5/16-24x1 1/4
63	15x2	Hex Nut 5/16-18
64	18x15	Lockwasher
65	21047Z	Hitch
66	21119	Engine Base
69	2x58	Carriage Bolt 5/16-18x2 1/2
70	20510	Hanger & Pin Assy. - L. H.
71	20692	Hair Pin Cotter
72	17x67Z	Washer
73	2x16	Carriage Bolt
74	20709	Brace
75	20745	Front Wheel Bearing

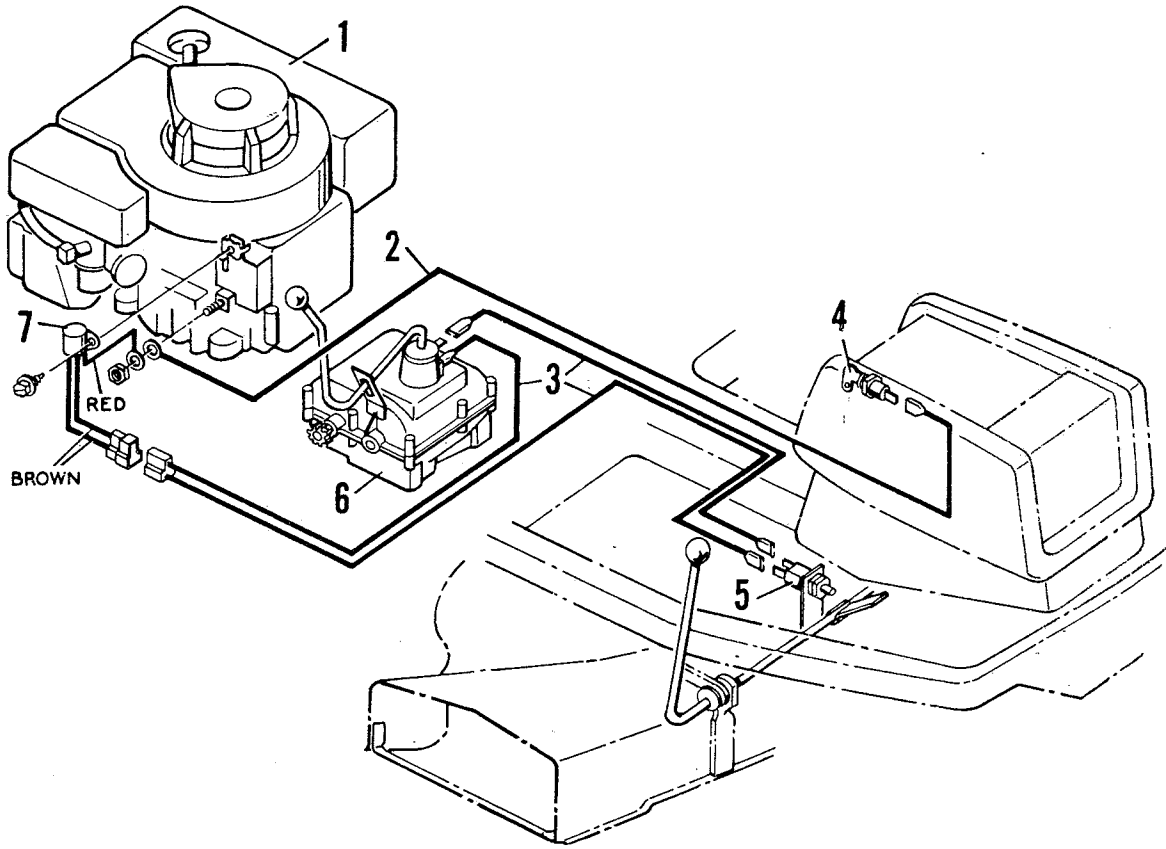
\* Note: Complete Illustration of Differential Shown on page 103.

Model 4-3043  
And 4-3063  
Blade Housing



Item No.	Model 4-3043 & 4-3063 Part No.	Description
1	17x53Z	Washer
2	15x12	Hex Nut
3	20062	Woodruff Key #6
4	20616	Jackshaft Short
5	21022	Jackshaft Pulley
6	20613	Idler Pulley
7	21024	Jackshaft Long
8	20555	Cross Drive Belt
9	17x67Z	Washer
10	20644	Outer Scissor Arm
11	20692	Hair Pin Cotter
12	20994	Scissor Brkt. Assy. L. H. Front
13	15x43	Hex Nut
14	20936	Hanger Brkt.
15	21216	Switch Retainer
16	21138C	Lever & Link Assy.
17	21019	Housing Brkt.
18	20642	Inner Scissor Arm R. H.
19	17x87Z	Washer
20	20661	Shoulder
21	20739	Knob
22	21031	Ball Joint
23	20509	Link Rod
24	30x20	Cotter Pin
25	21020	Scissor Brkt. Assy. L. H. Rear
26	20643	Inner Scissor Arm L. H.
27	20556	Primary Blade Belt
28	20662	Shoulder Bolt
29	20944	Idler Brkt. Assy.
30	20684	Drive Spring
31	20653	Blade Idler Brkt. Assy.
32	20682	Idler Spring
33	15x79	Hex Nut
34	20759	Lifter Mechanism Assy.
35	2x53	Carriage Bolt
36	15x67	Hex Nut
37	20477	Spring
38	20476	Grip
39	20475	Latch
40	21161	Lifter Brkt. Assy.
41	21249	Grip
42	20760	Blade Housing Assy.
44	21189	Torsion Spring
45	21197Z	Deflector Rod
46	28x23	Push-On-Cap
47	20617	Blade Adapter
48	20928	Blade
49	21673Z	Blade Washer
50	20663Z	Washer
51	19x36	Shakeproof Washer
52	18x27	Hex Nut
53	20619	Guide Bolt
54	20551	Jack Shaft Housing Assy.
55	21152	Chute Deflector
56	20086	Axle Bolt
57	21027	Gauge Wheel
58	1x76	Bolt
59	17x36Z	Washer
60	10851Z	Washer
61	1x73	Hex Bolt

Electric System  
Model 4-3043



Item No	Model 4-3043 Part No.	Description
1	-----	Engine
2	20610	Jumper Wire
3	21363	Wiring Harness
4	21211PA	Stop Switch & Key
5	20608PA	Limit Switch
6	21369PA	Transmission
7	21361	Control Module
	20756	Key Only