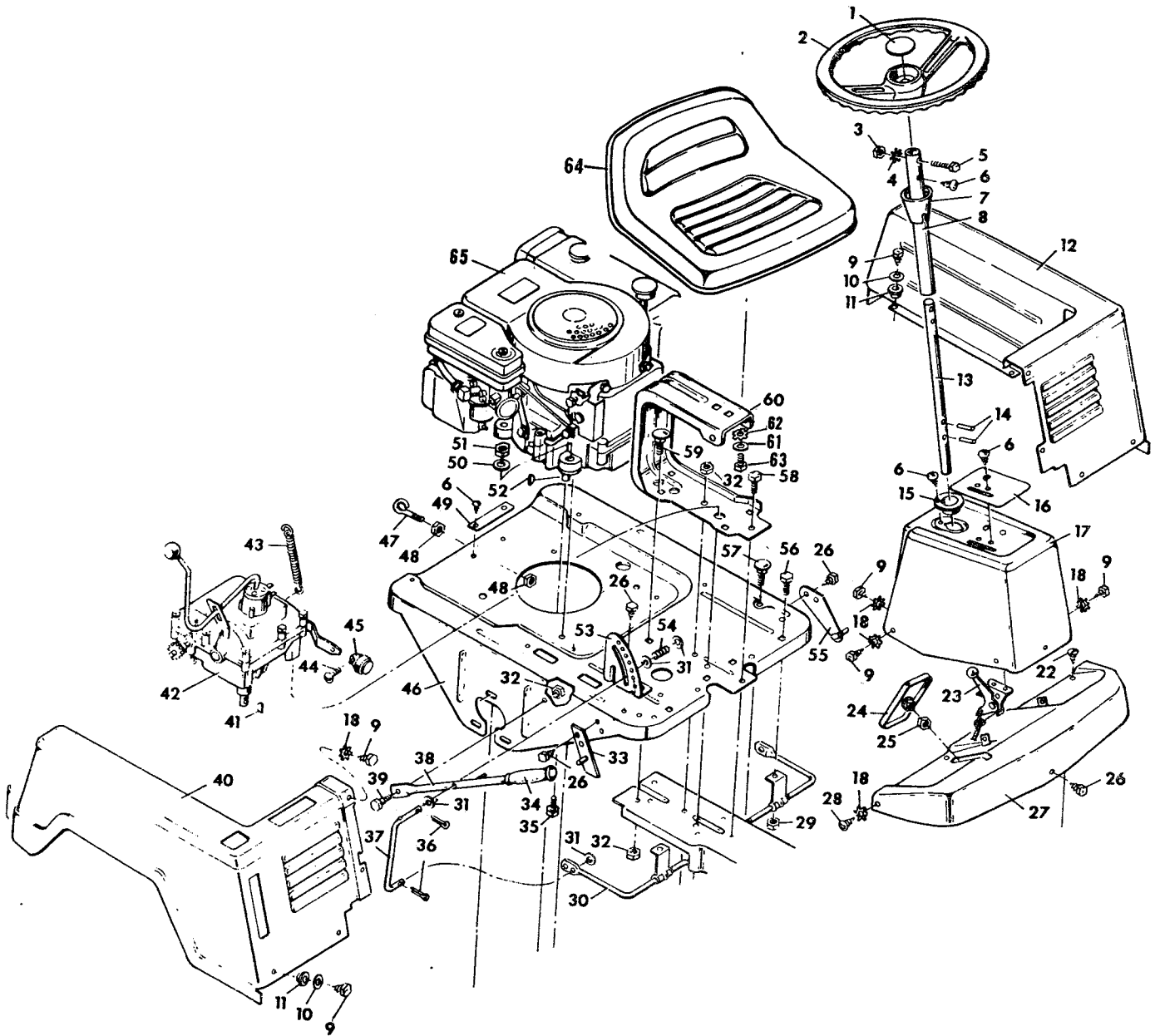


Model 4-3013
Riding Mower
Body Section



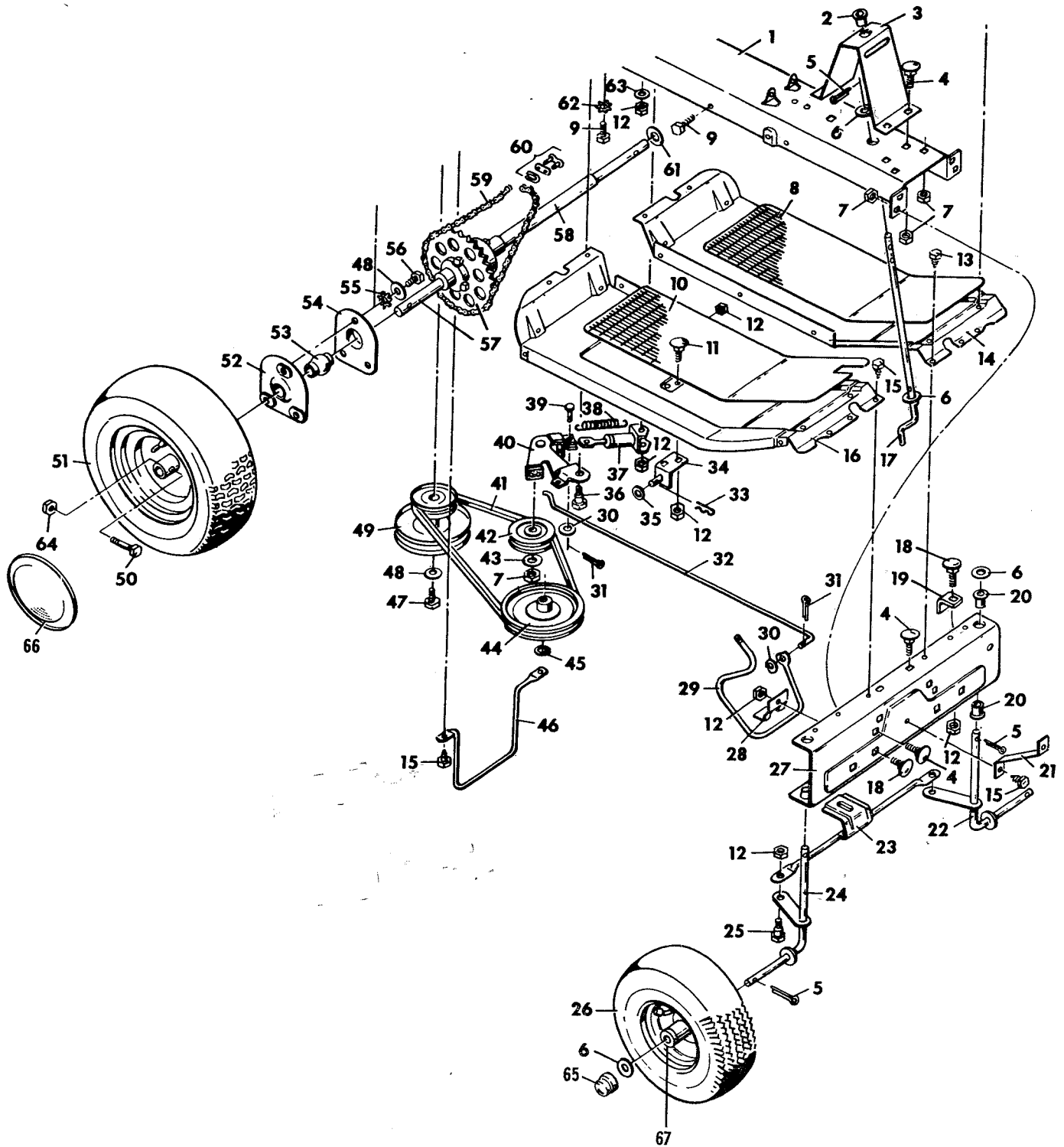
Model 4-3013

Item No.	Model 4-3013 Part No.	Description
1	21303	Steering Wheel Cap
2	21302	Steering Wheel
3	15x1	Hex Nut 1/4-20
4	19x4	Shakeproof Washer
5	6x58	Hex Bolt 1/4-20x1 1/2
6	26x159	Self Tapping Screw #8x3/8
7	21171	Collar
8	21172C	Sleeve
9	26x184	Hex Tapping Screw #10x5/8
10	17x106	Washer
11	20720	Grommet
12	20599	Shroud Assy. L. H.
13	20865	Steering Post
14	32x70	Spring Pins
15	21034	Nylon Bearing
16	20496	Control Plate
17	20497	Console Assy.
18	19x1	Shakeproof Washer
22	26x179	Tapping Screw #10x1/2
23	21222PA	Remote Control
24	20575E	Pedal
25	15x63	Hex Nut
26	26x50	Hex Tapping Screw 5/16x5/8
27	20473	Apron Assy.
28	26x186	Truss Hd. Tap Screw #10x1/2
29	15x42	Locknut 5/16-24
30	20635	Lifting Rod & Hinge Assy.
31	17x46Z	Washer
32	15x68	Locknut 3/8-16
33	21300	Hanger & Pin Assy. R. H.
34	20718	Grip
35	1x66	Hex Bolt 5/16-24x1 1/4

Item No.	Model 4-3013 Part No.	Description
36	30x20	Cotter Pin
37	20672Z	Connector Rod
38	20658Z	Lever & Pin Assy.
39	20662	Shoulder Bolt
40	20792	Shroud Assy. R. H.
41	20697	Woodruff Key
42	21370PA	Transmission*
43	21021	Spring
44	26x200	Screw
45	20841	Brake Lever Knob
46	20530	Engine Base
47	20696	Eye Bolt
48	15x33	Hex Nut 3/8-24
49	22130	Model No. Plate
50	17x47Z	Washer
51	15x42	Locknut 5/16-24
52	20062	Woodruff Key
53	20636	Index Brkt.
54	20680	Lifter Spring
55	20510	Hanger & Pin Assy. L. H.
56	1x45	Hex Bolt 5/16-18x5/8
57	2x58	Carriage Bolt
58	1x73	Hex Bolt 5/16-18x7/8
59	2x56	Carriage Bolt 3/8-16x7/8
60	20630	Seat Bracket
61	17x67Z	Washer
62	19x36	Shakeproof Washer
63	1x88	Hex Bolt 1/2"-13
64	21811	Seat
65	-----	Engine

* Note: Complete Illustration of Transmission Shown on page 98.

Model 4-3013
Riding Mower
Drive Section



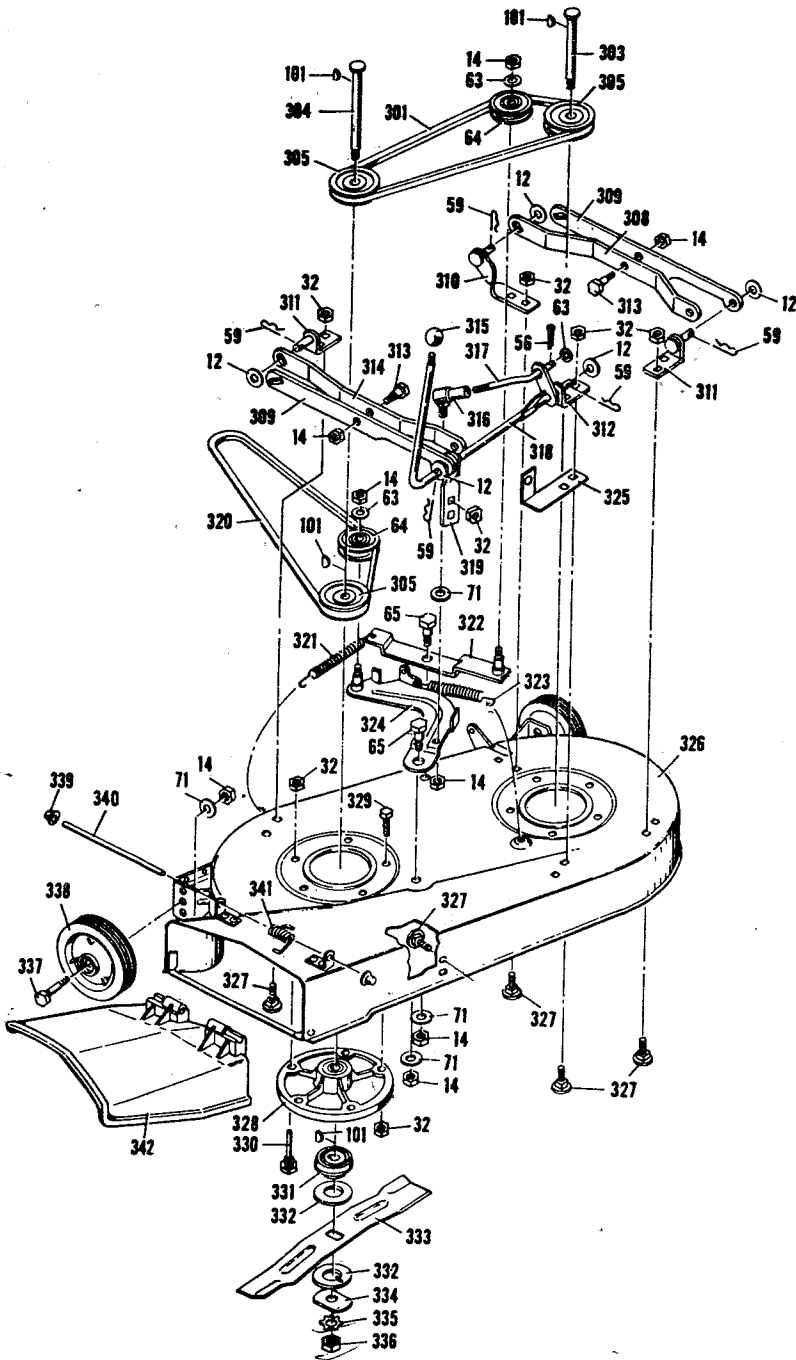
Model 4-3013

Item No.	Model 4-3013 Part No.	Description
1	20493	Frame Channel
2	20587	Nylon Bearing
3	21071	Steering Support
4	2x56	Carriage Bolt 3/8-16x3/4
5	30x49	Cotter Pin
6	17x100Z	Washer
7	15x68	Locknut 3/8-16
8	20691	Mat L. H.
9	1x45	Hex Bolt 5/16-18x5/8
10	20690	Mat R. H.
11	2x53	Carriage Bolt 5/16-18x5/8
12	15x79	Hex Nut 5/16-18
13	26x50	Hex Tapping Screw 5/16x5/8
14	20541	Running Board - L. H.
15	26x50	Hex Tapping Screw 5/16x5/8
16	20540	Running Board - R. H.
17	20864	Lower Steering Post
18	2x53	Carriage Bolt 5/16-18x5/8
19	20709	Stop Brace
20	20587	Nylon Bearing
21	20639	Apron Support
22	21309	Spindle & Arm Assy. - L. H.
23	21304	Tie Bar
24	21308	Spindle & Arm Ass. - R. H.
25	20660	Shoulder Bolt
26	20743	Front Wheel & Tire
	133x2	Tire Only
	134x2	Tube Only
	135x2	Wheel Only
27	20545	Front Axle Beam
28	20572	Clamp
29	20645	Clutch & Brake Lever
30	17x37	Plain Washer
31	30x20	Cotter Pin
32	20669	Brake Rod
33	20692	Hair Pin Cotter

Item No.	Model 4-3013 Part No.	Description
34	20996	Hanger Bracket
35	17x67Z	Washer
36	20662	Shoulder Bolt
37	20891	Air Cylinder
38	20682	Shoulder Bolt
39	29x94	Clevis Pin
40	20670	Driver Idler Assy.
41	20716	Driver Belt
42	20613	Idler Pulley
43	17x53Z	Washer
44	20614	Transmission Pulley
45	20698	Retainer Ring
46	20515	Belt Guide
47	1x20	Hex Bolt 3/8-24x1
48	10851 Z	Washer
49	20626Z	Stack Pulley Assy.
50	1x81	Hex Bolt 5/16-18x1 5/8
51	20752	Wheel & Tire
	133x3	Tire Only
	135x3	Wheel Only
	400162	Valve Stem & Cap - Tubeless
52	21009Z	Outer Bearing Retainer
53	20568	Bronze Bearing
54	20570Z	Retainer - Inner
55	19x7	Shakeproof Washer
56	1x77	Hex Bolt 3/8-24x5/8
57	20685	Differential & Axle*
58	20847Z	Sleeve
59	20732	Chain & Link
60	20730	Connecting Link #41 Chain
61	61961 Z	Washer
62	19x6	Shakeproof Washer
63	17x45	Plain Washer
64	15x43Z	Lock Nut
65	20796C	Hub Cap - Front
66	20797	Hub Cap - Rear
67	20745	Front Wheel Bearing

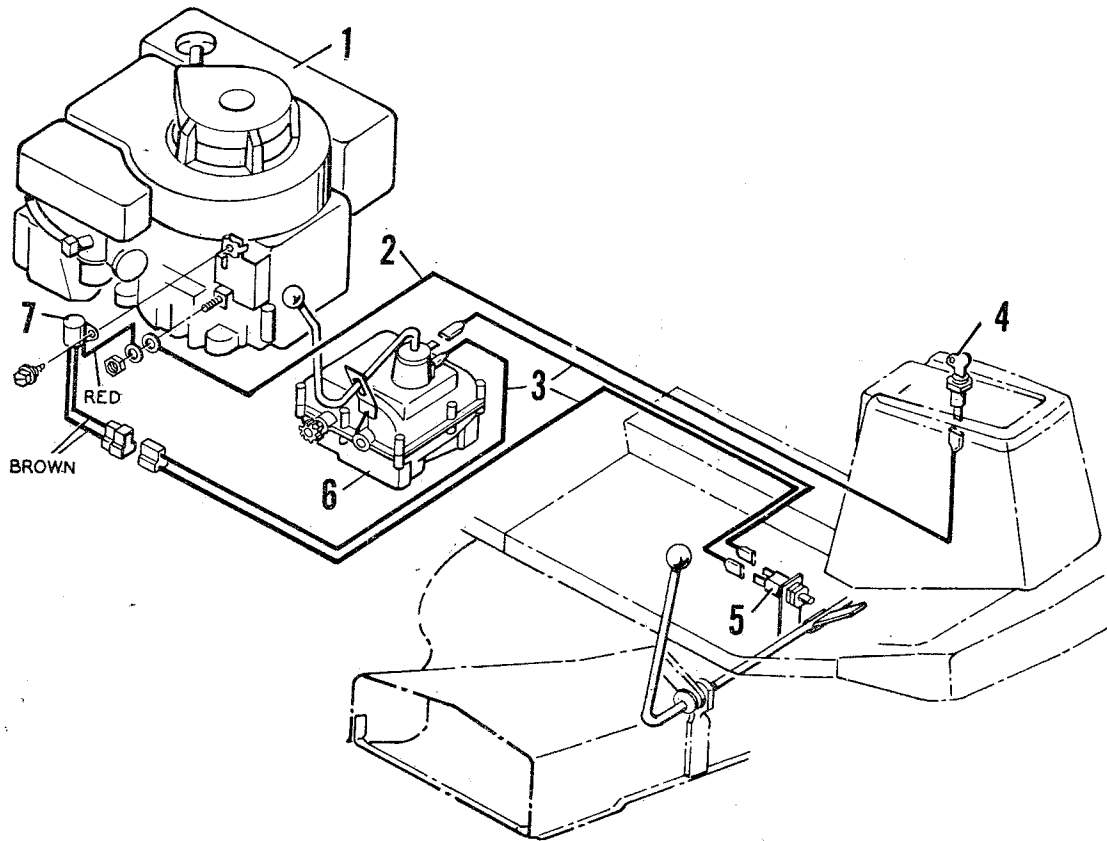
* Note: Complete Illustration of Differential Shown on page 102.

Model 4-3013
Blade Housing



Item No.	Model 4-3013 Part No.	Description
12	17x67Z	Washer
14	15x12	Locknut (3/8-16)
32	15x43Z	Locknut (5/16-18)
56	30x20	Cotter Pin
59	20692	Hair Pin Cotter
63	17x53Z	Washer
64	20613	Idler Pulley
65	20662	Shoulder Bolt
71	10851 Z	Washer
101	20062	Woodruff Key
301	20555	Cross Drive Belt
303	20616'	Jack Shaft - Short
304	21024	Jack Shaft - Long
305	21022	Pulley
308	20643	Inner Arm - L. H.
309	20644	Outer Arm
310	21020	Scissors Brkt. Assy.
311	20994	Hanger Brkt. Assy.
312	20936	Hanger Brkt.
313	20661	Shoulder Bolt
314	20642	Inner Arm - P. H.
315	20739	Knob
316	21031	Ball Joint
317	20509 Z	Link Rod
318	21138C	Lever & Link Assy.
319	21019	Housing Brkt.
320	20556	Primary Blade Belt
321	20682	Idler Spring
322	21139Z	Idler Brkt. Assy.
323	20684	Drive Spring
324	20653	Blade Idler Brkt. Assy.
325	21216	Safe Switch Retainer
326	21219	Housing & Brkt. Assy.
327	2x53	Carriage Bolt
328	20551	Jack Shaft Housing Assy.
329	1x73	Hex Bolt (5/16-18x7/8)
330	20619	Guide Bolt
331	20617	Blade Adapter
332	21199Z	Blade Washer 21673
333	20928	Blade
334	20663Z	Washer
335	18x27	Shake Proof Washer
336	15x72	Hex Nut (1/2x20)
337	20086	Axle Bolt
338	21027	Gauge Wheel
339	28x23	Push-On-Cap
340	21197Z	Deflector Rod
341	21189	Torsion Spring
342	21152	Chute Deflector

Electric System
 Model 4-2513
 And Model 4-3013



Item No.	Model 4-2513 4-3013 Part No.	Description
1	-----	Engine
2	21212	Jumper Wire
3	21363	Wiring Harness
4	21211PA	Stop Switch & Key
5	20608PA	Limit Switch
6	21370PA	Transmission
7	21361	Control Module
	20756	Key Only