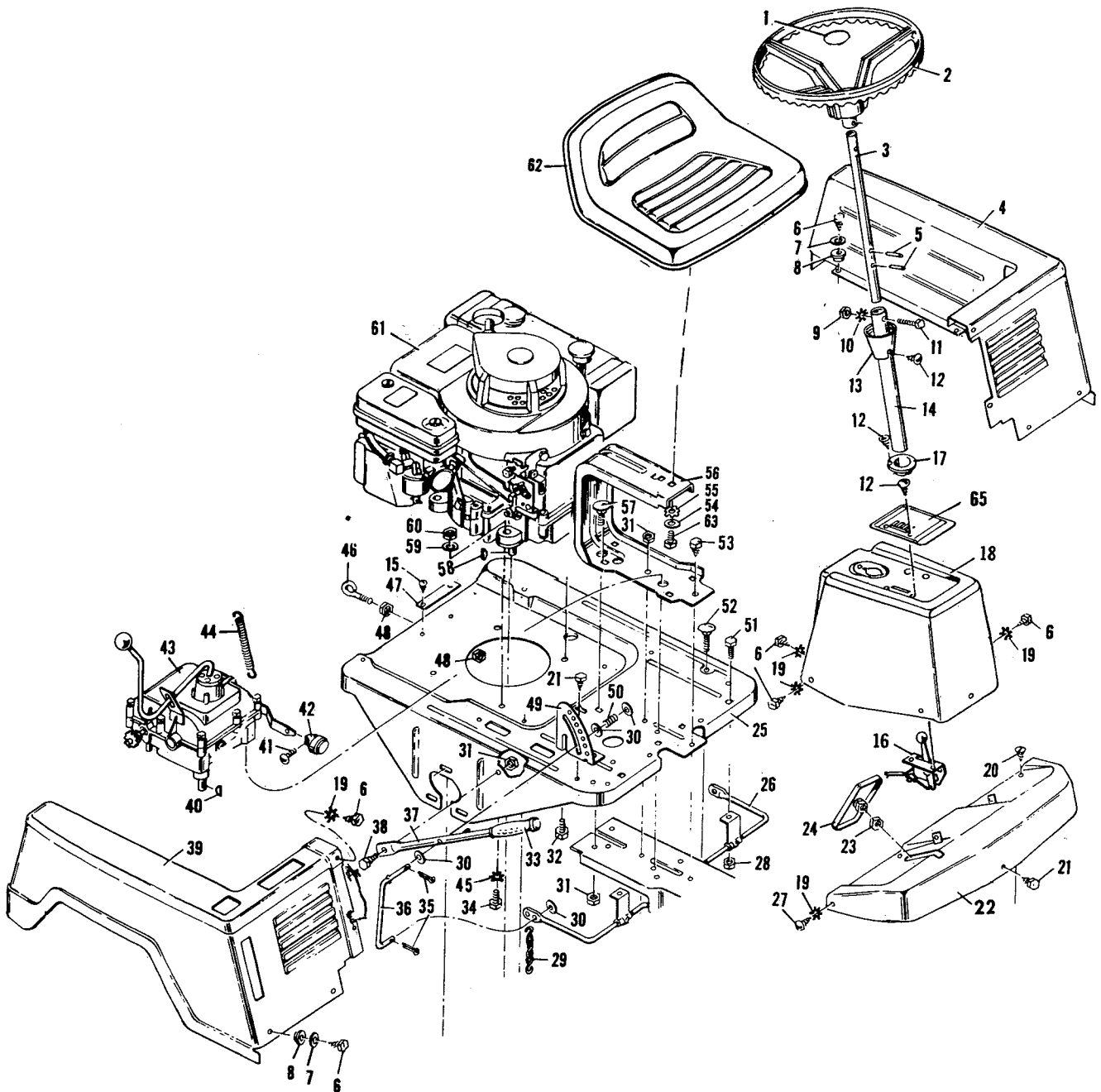


Model 4-2513
Riding Mower
Body Section



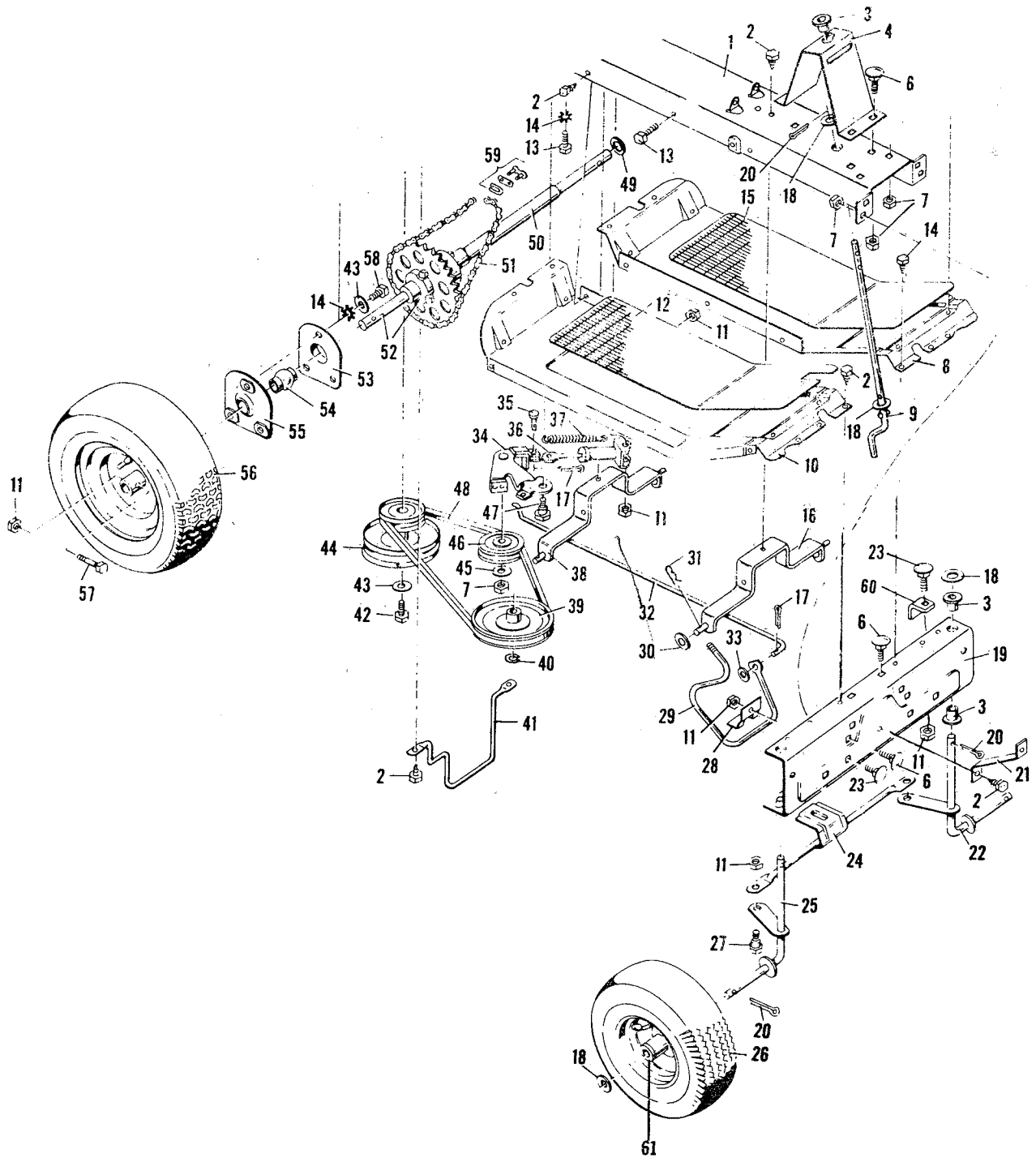
Model 4-2513

Item No.	Model 4-2513 Part No.	Description
1	21303	Steering Wheel Cap
2	21302	Steering Wheel
3	20865	Steering Post
4	20599	Shroud Assy. L.H.
5	32x70	Spring Pins
6	26x184	Hex Tapping Screw #10x5/8
7	17x106	Plain Washer
8	20720	Grommet
9	15x1	Hex Nut 1/4-20
10	19x4	Shake-Proof Washer
11	6x58	Hex Cap Screw 1/4-20-1/2
12	26x159	Self Tapping Screw #8x3/8
13	21171	Steering Wheel Collar
14	21172C	Sleeve
15	26x66	Screw
16	21222PA	Remote Control Unit
17	21034	Nylon Bearing
18	20497	Console Assy.
19	19x1	Shakeproof Washer
20	26x179	Tapping Screw
21	26x50	Hex Tapping Screw 5/16x5/8
22	20473	Apron Assy.
23	15x63	Hex Nut 7/16-14
24	20575E	Pedal Assy.
25	20530	Engine Base
26	20635	Lifting Rod & Hinge Assy.
27	26x186	Truss Head Tap Screw #10x1/2
28	15x79	Hex Nut
29	20699	Chain, Lifter
30	17x46Z	Washer
31	15x12	Locknut 3/8-16
32	20103	Hex Bolt 3/8"-16x1"

Item No.	Model 4-2513 Part No.	Description
33	20718	Grip
34	1x74	Bolt 5/16-18x5/8
35	30x20	Cotter Pin
36	20672Z	Connector Rod
37	20658Z	Lever & Pin Assy.
38	20662	Shoulder Bolt
39	20792	Shroud Assy. R.H.
40	20697	Woodruff Key #9
41	26x200	Self Tapping Screw #8x1/4
42	20841	Brake Lever Knob
43	21370PA	Transmission*
44	21021	Brake Spring
45	19x6	Shakeproof Washer
46	20696	Eye Bolt
47	22130	Nameplate
48	15x33	Hex Nut
49	20636	Index Bracket
50	20680	Spring Lifter
51	1x45	Hex Bolt
52	2x58	Carriage Bolt 5/16-18x2 1/2
53	26x51	Hex Tapping Screw 5/16x3/4
54	17x67Z	Washer
55	19x36	Shakeproof Washer
56	20630	Seat Bracket
57	2x56	Carriage Bolt 3/8-16x1/4
58	20062	Woodruff Key #6
59	17x47Z	Washer
60	15x42	Hex Nut 5/16-24
61	-----	Engine
62	21811	Seat Pan
63	1x88	Hex Bolt 1/2"-13
65	21241	Control Plate

* Note: Complete Illustration of Transmission Shown on page 98.

Model 4-2513
Riding Mower
Drive Section

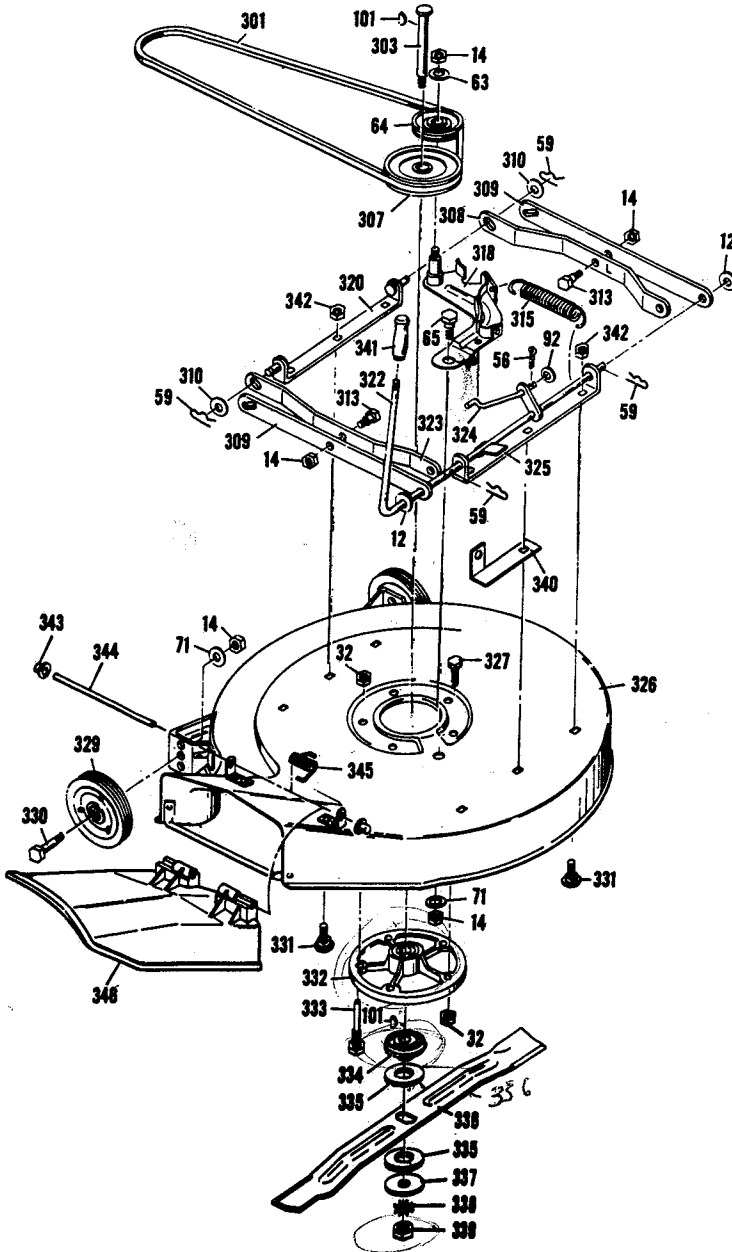


Model 4-2513

Item No.	Model 4-2513 Part No.	Description	Item No.	Model 4-2513 Part No.	Description
1	20493	Frame Channel	31	20692	Hair Pin Cotter
2	26x50	Hex Tapping Screw 5/16x5/8	32	20669	Brake Rod
3	20587	Nylon Bearing	33	17x32	Plain Washer
4	21071	Steering Support	34	20670	Driver Idler Assy.
6	2x56	Carriage Bolt 3/8-16x3/4	35	29x94	Clevis Pin
7	15x68	Locknut 3/8-16	36	20891	Air Cylinder & Brkt.
8	20541	Running Board - L. Hand	37	20682	Spring - Drive Idler
9	20864	Lower Steering Post	38	20665	Rear Hanger Brkt. Assy.
10	20540	Running Board - R. Hand	39	20614	Transmission Pulley
11	15x43Z	Locknut 5/16-18	40	20698	Retainer Ring
12	20690	Mat R. Hand	41	20677	Belt Guide
13	1x45	Hex Bolt 5/16-18x5/8	42	1x20	Hex Bolt 3/8-24x1
14	19x6	Shakeproof Washer	43	10851Z	Washer
15	20691	Mat L. Hand	44	20626Z	Stack Pulley Assy.
16	20664	Front Hanger Brkt. Assy.	45	17x53Z	Washer
17	30x20	Cotter Pin	46	20613	Idler Pulley
18	17x100Z	Plain Washer	47	20662	Shoulder Bolt
19	20545	Front Axle Beam	48	20716	Drive Belt
20	30x49	Cotter Pin	49	61961Z	Washer
21	20639	Apron Support	50	20847Z	Rear Axle Sleeve
22	21309	Spindle & Arm Assy. -L. H.	51	20732	Chain & Link 34 1/2-#41
23	2x53	Carriage Bolt 5/16-18x5/8	52	20685	Differential & Axle*
24	21304	Tie Bar Assy.	53	20570Z	Retainer - Inner
25	21308	Spindle & Arm Assy. - R. H.	54	20568	Rear Axle Bearing
26	20743	Frt. Wheel & Tire Assy.	55	21009Z	Outer Brg. Ref. Assy.
	133x2	Tire	56	20752	Rear Wheel & Tire Assy.
	134x2	Tube		133x3	Tire - Only
	135x2	Wheel		135x3	Wheel
	20745	Front Wheel Bearing (Not Shown)		400162	Valve Stem & Cap - Tubless
27	20660	Shoulder Bolt	57	1x81	Hex Bolt 5/16-18x1-5/8
28	20572	Clamp	58	1x77	Hex Bolt 3/8-24x5/8
29	20645	Clutch & Brake Lever	59	20730	Connecting Link - #41 Chain
30	17x67Z	Washer	60	20709	Stop Brace
			61	20745	Front Wheel Bearing

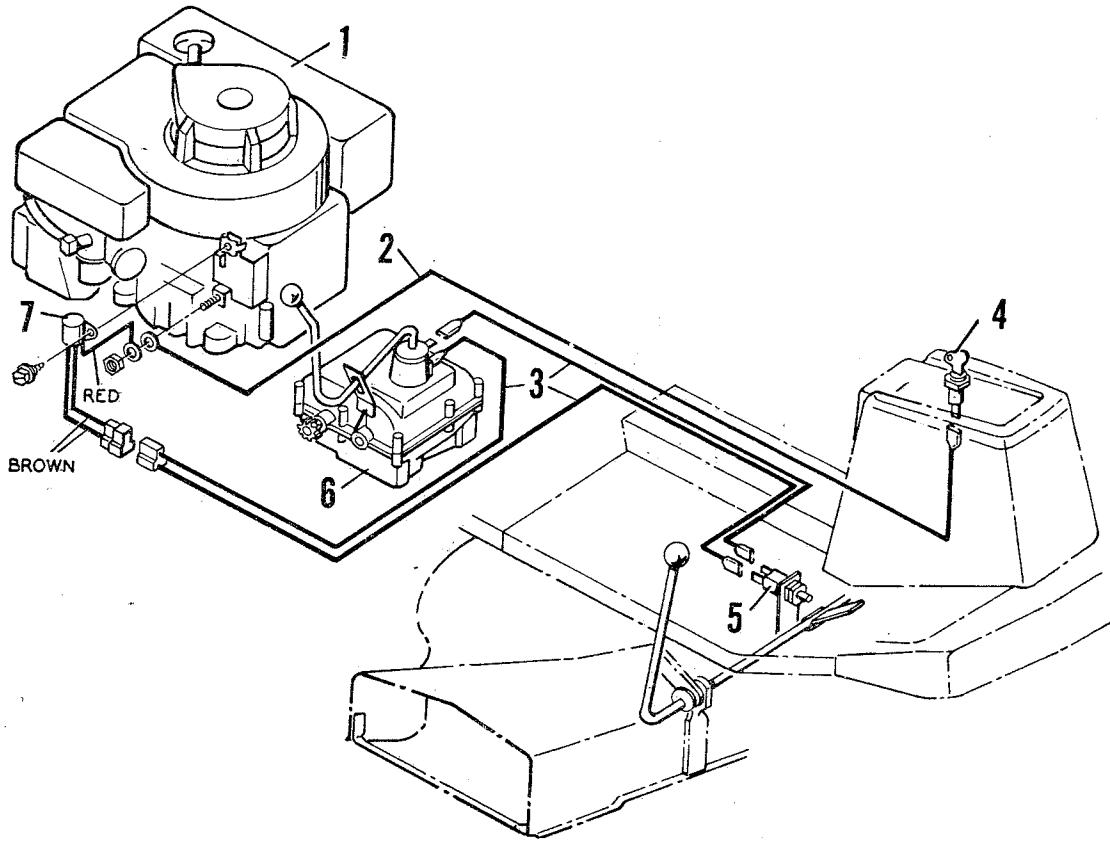
* Note: Complete Illustration of Differential Shown on page 102.

Model 4-2503 And
Model 4-2513
Blade Housing



Item No.	Model 4-2513 Part No.	Description
12	17x67Z	Washer
14	15x12	Locknut 3/8-16
32	15x43Z	Locknut 5/16-18
56	30x20	Cotter Pin
59	20692	Hair Pin Cotter
63	17x53Z	Washer
64	20613	Idler Pulley
65	20662	Shoulder Bolt
71	10851 Z	Washer
92	17x46Z	Washer
101	20062	Woodruff Key #6
301	20717	Blade Belt
303	20616	Jack Shaft - Short
307	20615	Jack Shaft Pulley
308	20643	Inner Arm L. H.
309	20644	Outer Arm
313	20661	Shoulder Bolt
315	20681	Spring
318	20671	Idler Brk't. & Brace Assy.
320	20668	RR. Scissor Brk't. & Brace Assy.
322	21213Z	Lever And Link Assy.
323	20642	Inner Arm R. H.
324	20673Z	Rod-Blade Brake
325	20666	Frt. Scissor Brk't.
326	21218	Housing & Brk'ts. Assy.
327	1x73	Hex Bolt 5/16-18x7/8
329	20629	Gauge Wheel
330	20086	Axle Bolt
331	2x54	Step Bolt 5/16-18x5/8
332	20551	Jackshaft Hsng. Assy.
333	20619	Guide Bolt
334	20617	Blade Adapter
335	21673Z	Blade Washer
336	20083	Blade
337	20663Z	Washer
338	18x27	Sh. Pr. Washer
339	15x72	Hex Nut 1/2-20
340	21216	Switch Retainer
341	20719	Grip
342	15x79	Flange Nut 5/16-18
343	28x23	Push-On-Cap
344	21197Z	Deflector Rod
345	21189	Torsion Spring
346	21151	Chute Deflector

Electric System
 Model 4-2513
 And Model 4-3013



Item No.	Model 4-2513 4-3013 Part No.	Description
1	-----	Engine
2	21212	Jumper Wire
3	21363	Wiring Harness
4	21211PA	Stop Switch & Key
5	20608PA	Limit Switch
6	21370PA	Transmission
7	21361	Control Module
	20756	Key Only