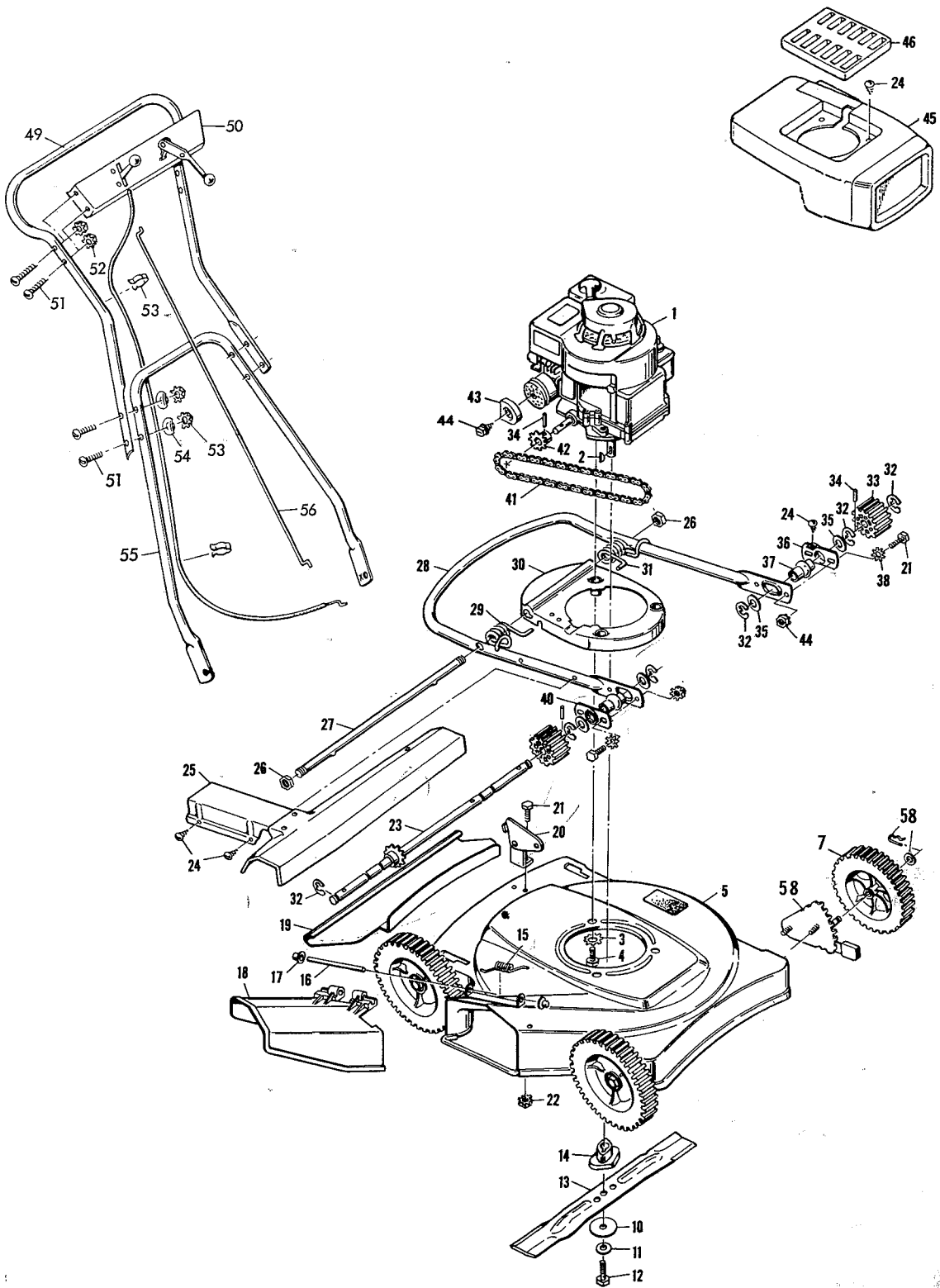


4-2252 22" Equipped  
Rotary Mower



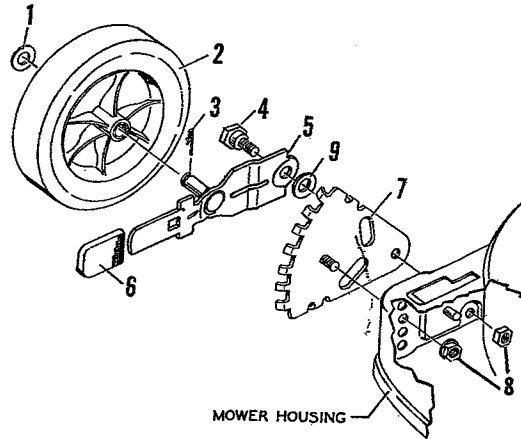
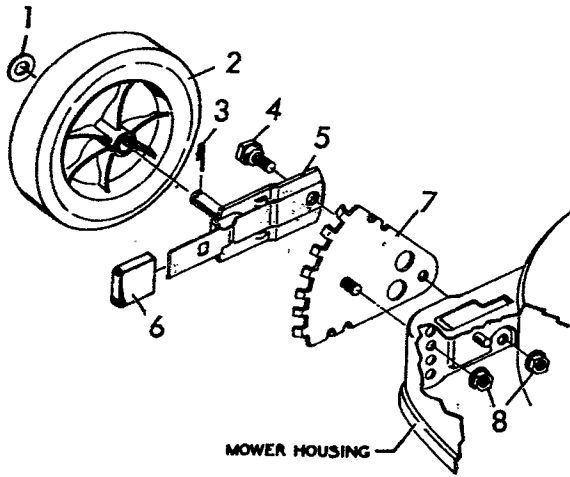
Model 4-2252

Item No.	Model 4-2252 Part No.	Description
1	-----	Engine*
2	20062	Woodruff Key
3	19x8	Shakeproof Washer
4	20102	Engine Bolt
5	22072	Housing Assy.
7	20105	Wheel & Tire Assy.
10	20094Z	Washer
11	17x101	Cup Washer
12	1x69	Blade Adapter Bolt
13	20046	Blade
14	20051	Blade Adapter
15	22052	Torsion Spring
16	22050Z	Pivot Pin
17	28x42	Push-On-Cap
18	20455	Chute Deflector
19	20452	Rear Guard Panel
20	20442Z	Brkt. & Pivot Arm Assy.
21	1x38	Hex Bolt
22	15x67	Hex Nut
23	22150Z	Drive Shaft & Sprocket Assy.
24	26x159	Self-Tapping Screw
25	400153	Pinion & Chain Guard Assy.
26	15x64	Hex Nut
27	20085Z	Pivot Shaft
28	20012C	Drive Arm
29	20067Z	Torsion Spring R-H

Item No.	Model 4-2252 Part No.	Description
30	20054E	Base & Spacer Assy.
31	20068Z	Torsion Spring L-H
32	20100	Retainer Ring
33	20066	Drive Pinion
34	32x64	Spring Pin
35	17x100Z	Washer
36	20375Z	Bearing Retainer
37	20048	Bearing
38	19x4	Shakeproof Washer
40	20094Z	Bearing Retainer
41	20108	Chain & Link
42	20411	Engine Sprocket
43	20459	Exhaust Deflector
44	20460	Screw
45	20445	Engine Shroud
46	20449E	Grill
48	20107	Hub Cap (Not Shown)
49	20190C	Upper Handle Assy.
50	400168	Control Panel & Cable Assy.
51	3x136	Bolt
52	15x66	Keys Nut
53	20089	Cable Clips
54	20087	Formed Washer
55	20058C	Lower Handle Assy.
56	20419C	Actuating Rod
58	400152	Wheel Adjuster Assy.

*Try 20047*

**Wheel Adjuster Assembly  
Model 400152 And 400148**



Item No.	Assembly 400152 Part No.	Model 400148 Part No.	Description
1	17x102	17x102	Washer
*2	-----	-----	Wheel & Tire
3	20101	20101	Hair Pin Cotter
4	20064	22193	Shoulder Bolt

\* Not Included In Assembly. >

Item No.	Assembly 400152 Part No.	Model 400148 Part No.	Description
5	20109Z	22191	Arm & Axle Assembly
6	20065	22196	Lever Spring Knob
7	20113Z	20113Z	Index Plate Assembly
8	15x68	15x68	Flange Locknut
9	-----	22192	Spring Washer

For Push And Self-Propelled Mowers