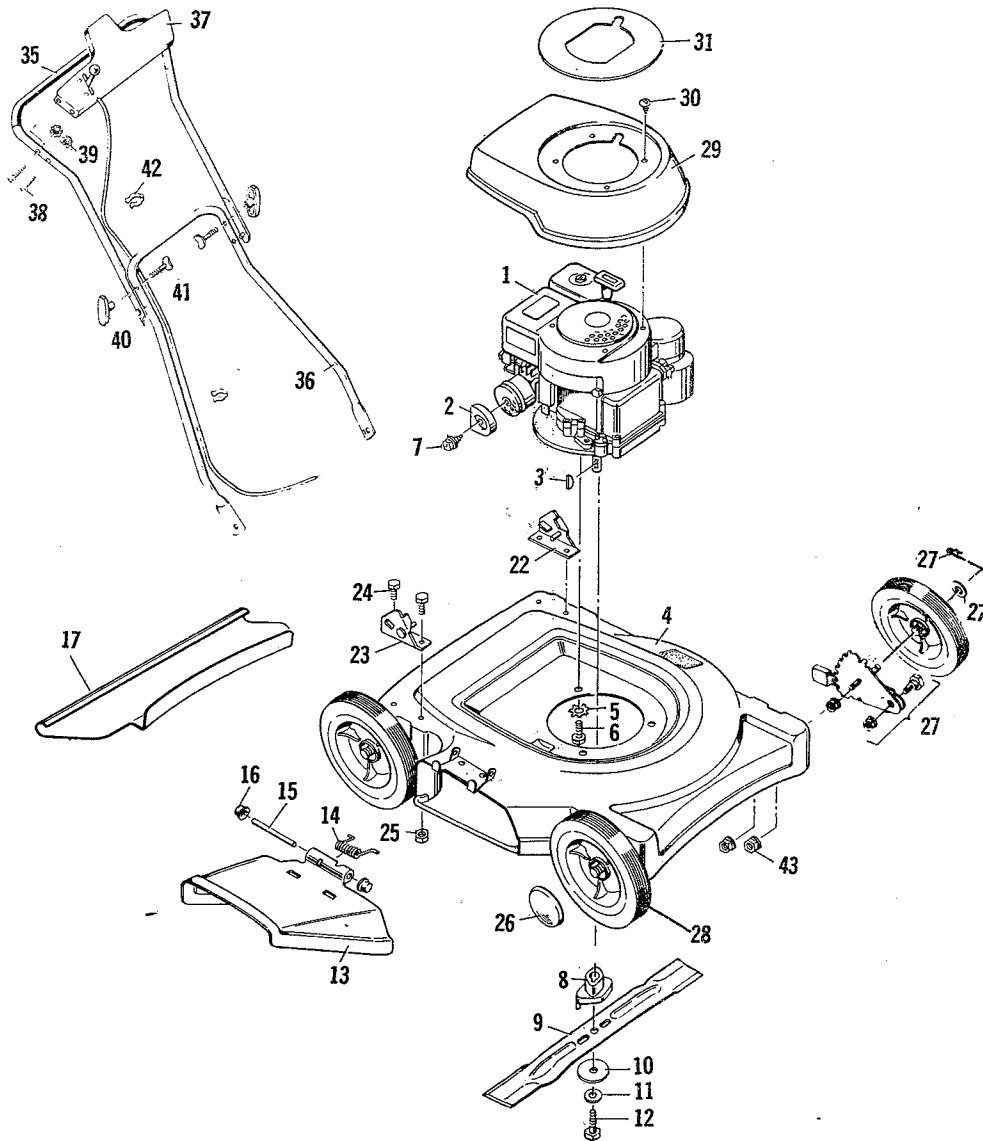


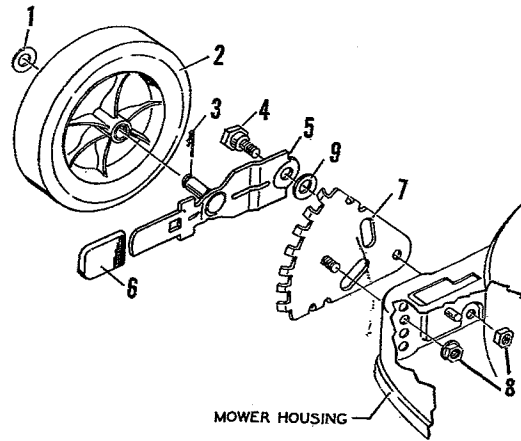
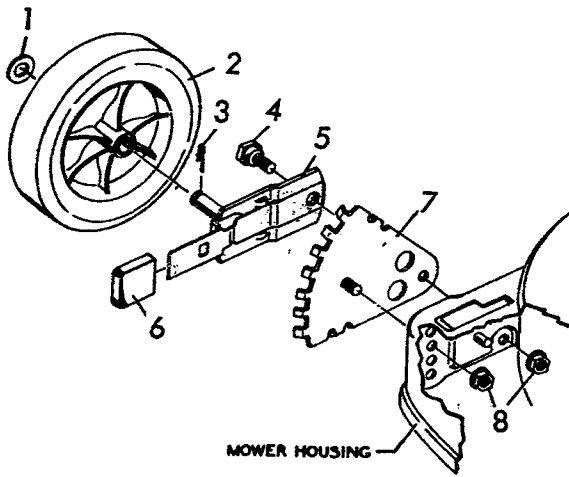
4-2213 22" Super Deluxe
Rotary Mower



Item No.	Model 4-2213 Part No.	Description
1	-----	Engine
2	20459	Exhaust Deflector
3	20062	Woodruff Key
4	22317	Housing
5	19x8	Shakeproof Washer
6	20103	Engine Bolt
7	20460	Exhaust Deflector Screw
8	20050	Blade Adapter
9	20046	Blade
10	20094Z	Washer
11	17x101	Cup Washer
12	1x68	Blade Adapter Bolt
13	22325	Chute Deflector
14	22052	Torsion Spring
15	22326Z	Pivot Pin
16	28x42	Push-On-Cap
17	22359	Rear Guard
22	20199Z	L.H. Bracket & Weld Pin Assy.

Item No.	Model 4-2213 Part No.	Description
23	20198Z	R.H. Bracket & Weld Pin Assy.
24	1x38	Hex Bolt
25	15x82	Hex Nut
26	20090	Hub Cap
27	400148	Wheel Adjustor
28	20104	Wheel & Tire
29	22339	Engine Shroud
30	26x159	Screw
31	22335	Shroud Insert
35	20194C	Upper Handle Assy.
36	20191C	Lower Handle Assy.
37	400167	Control & Cable
38	3x97	Bolt
39	15x66	Keys Nuts
40	20266	Handle Knob
41	20129	Contour Bolt
42	20089	Cable Clips
43	15x68	Nut

**Wheel Adjuster Assembly
Model 400152 And 400148**



Item No.	Assembly 400152 Part No.	Model 400148 Part No.	Description
1	17x102	17x102	Washer
*2	-----	-----	Wheel & Tire
3	20101	20101	Hair Pin Cotter
4	20064	22193	Shoulder Bolt

* Not Included In Assembly. >

Item No.	Assembly 400152 Part No.	Model 400148 Part No.	Description
5	20109Z	22191	Arm & Axle Assembly
6	20065	22196	Lever Spring Knob
7	20113Z	20113Z	Index Plate Assembly
8	15x68	15x68	Flange Locknut
9	-----	22192	Spring Washer

For Push And Self-Propelled Mowers