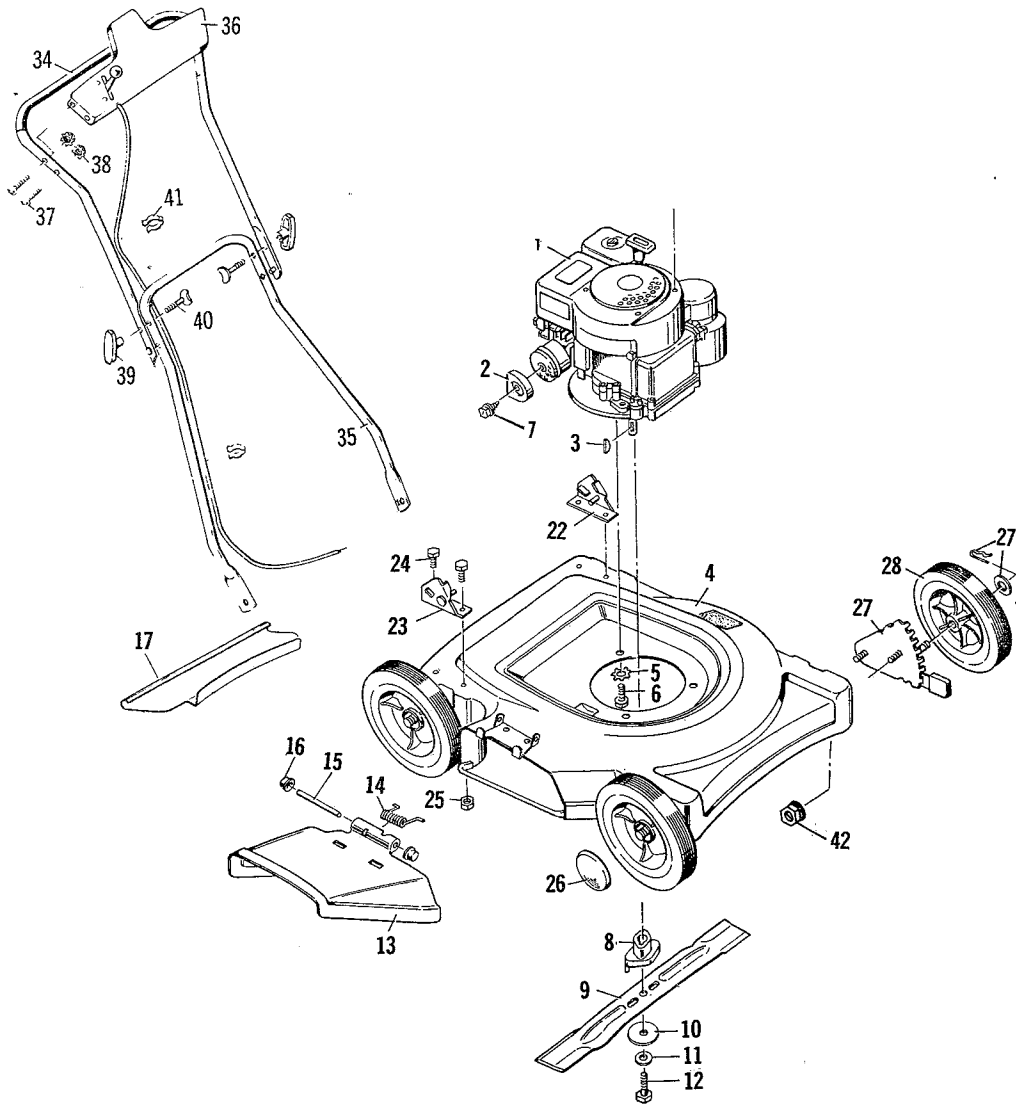


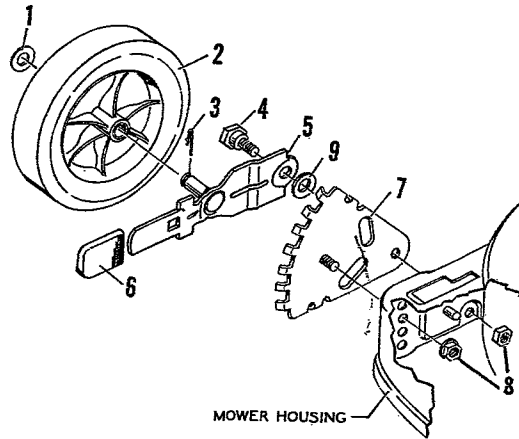
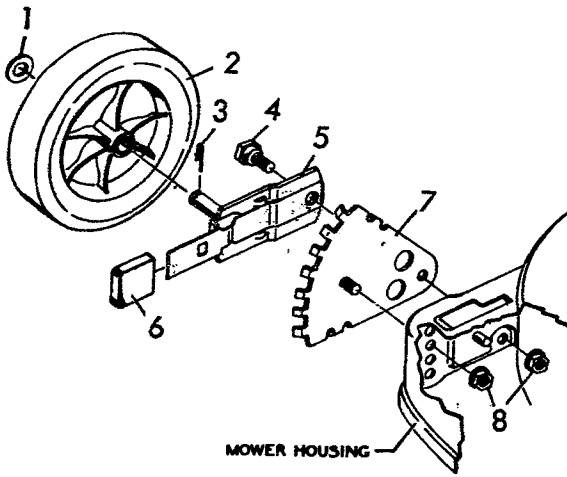
4-2013 20" Equipped
Rotary Mower



Item No.	Model 4-2013 Part No.	Description
1	-----	Engine*
2	20459	Exhaust Deflector
3	20062	Woodruff Key
4	22303	Housing
5	19x8	Shakeproof Washer
6	20103	Engine Bolt
7	20460	Exhaust Deflector Screw
8	20050	Blade Adapter
9	20045	Blade
10	20094 Z	Washer
11	17x101	Cup Washer
12	1x68	Blade Adapter Bolt
13	22352	Chute Deflector
14	22052	Torsion Spring
15	22326 Z	Pivot Pin
16	28x42	Push-On-Cap
17	22358	Rear Guard

Item No.	Model 4-2013 Part No.	Description
22	20199Z	L. H. Bracket & Weld Pin Assy.
23	20198Z	R. H. Bracket & Weld Pin Assy.
24	1x38	Hex Bolt
25	15x82	Hex Nut
26	20090	Hub Cap
27	400148	Wheel Adjustor
28	20106	Wheel & Tire
34	20194C	Upper Handle Assy.
35	20191C	Lower Handle Assy.
36	400167	Control & Cable
37	3x97	Bolt
38	15x66	Keys Nuts
39	20266	Handle Knob
40	20129	Contour Bolt
41	22089	Cable Clips
42	15x68	Stover Locknut

**Wheel Adjuster Assembly
Model 400152 And 400148**



Item No.	Assembly 400152 Part No.	Model 400148 Part No.	Description
1	17x102	17x102	Washer
*2	-----	-----	Wheel & Tire
3	20101	20101	Hair Pin Cotter
4	20064	22193	Shoulder Bolt

* Not Included In Assembly. >

Item No.	Assembly 400152 Part No.	Model 400148 Part No.	Description
5	20109Z	22191	Arm & Axle Assembly
6	20065	22196	Lever Spring Knob
7	20113Z	20113Z	Index Plate Assembly
8	15x68	15x68	Flange Locknut
9	-----	22192	Spring Washer

For Push And Self-Propelled Mowers