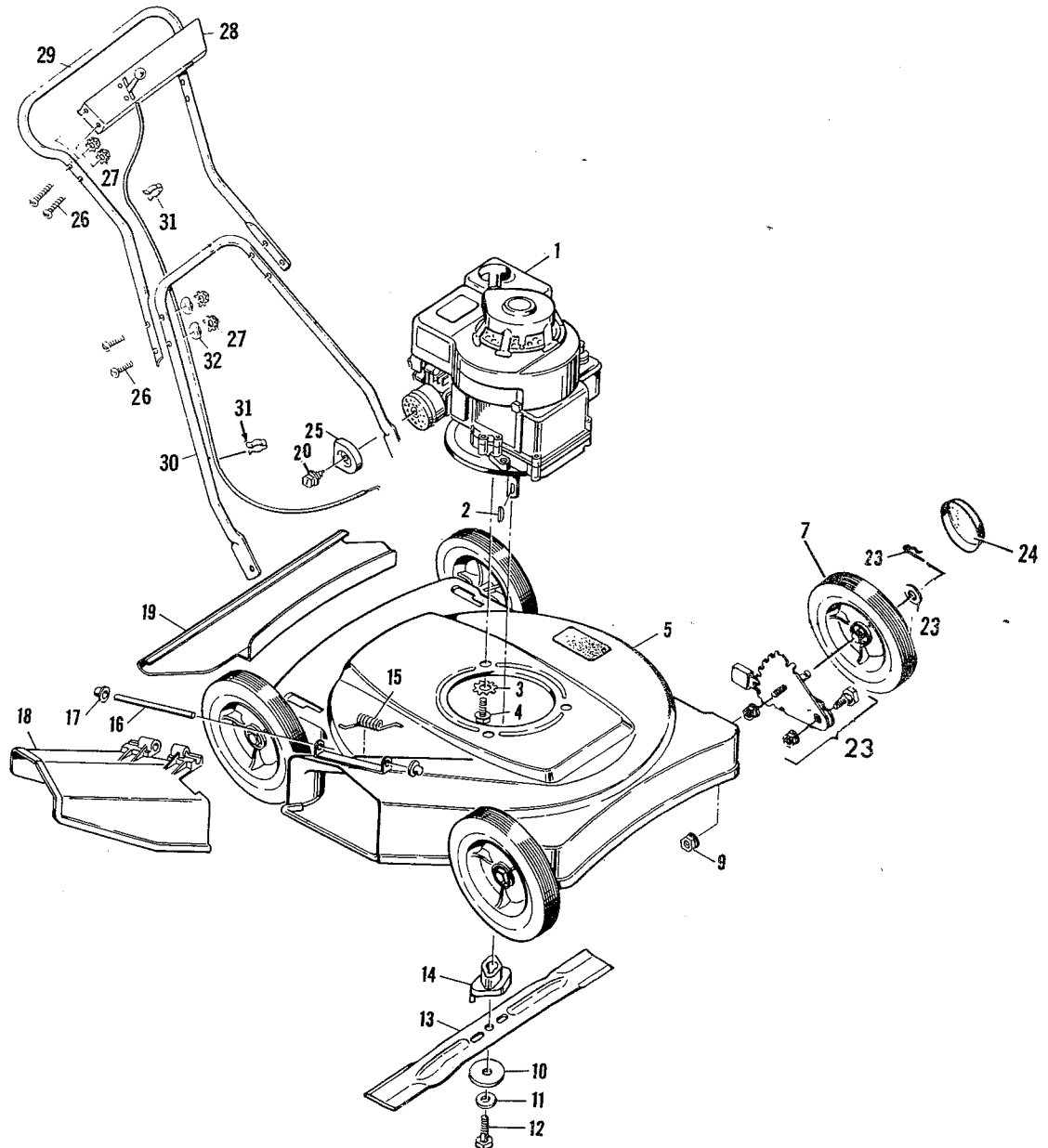


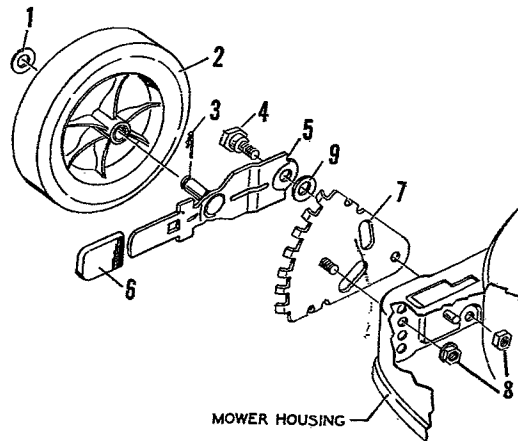
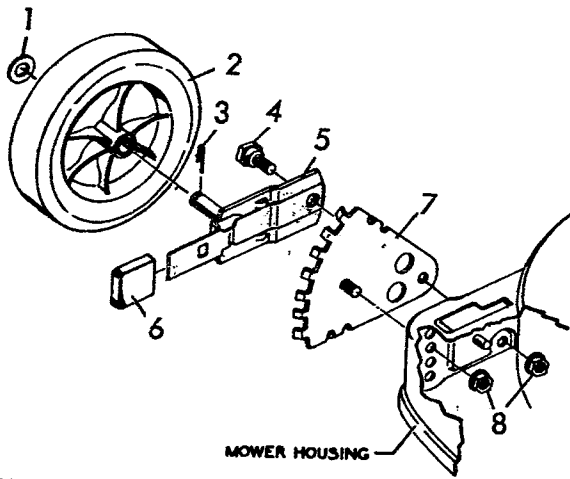
4-2002 20" Deluxe
Rotary Mower



Item No.	Model 4-2002 Part No.	Description
1	-----	Engine
2	20062	Woodruff Key
3	19x8	Shakeproof Washer
4	20103	Engine Bolt
5	22074	Housing Assy.
7	20106	Wheel & Tire
9	15x68	Stover Locknut
10	20094Z	Washer
11	17x101	Cup Washer
12	1x68	Blade Adapter Bolt
13	20045	Blade
14	20050	Blade Adapter
15	22052	Torsion Spring
16	22050Z	Pivot Pin

Item No.	Model 4-2002 Part No.	Description
17	28x42	Push-On-Cap
18	20454	Chute Deflector
19	20451	Rear Guard Panel
20	20460	Exhaust Deflector Screw
23	400148	Wheel Adjuster Assy.
24	20107	Hub Cap
25	20459	Exhaust Deflector
26	3x136	Bolt
27	15x66	Keps Nut
28	400176	Control Assy.
29	20190C	Upper Handle Assy.
30	20058C	Lower Handle Assy.
31	20089	Cable Clip
32	20087	Formed Washer

**Wheel Adjuster Assembly
Model 400152 And 400148**



Item No.	Assembly 400152 Part No.	Model 400148 Part No.	Description
1	17x102	17x102	Washer
*2	-----	-----	Wheel & Tire
3	20101	20101	Hair Pin Cotter
4	20064	22193	Shoulder Bolt

* Not Included In Assembly. >

Item No.	Assembly 400152 Part No.	Model 400148 Part No.	Description
5	20109Z	22191	Arm & Axle Assembly
6	20065	22196	Lever Spring Knob
7	20113Z	20113Z	Index Plate Assembly
8	15x68	15x68	Flange Locknut
9	-----	22192	Spring Washer

For Push And Self-Propelled Mowers