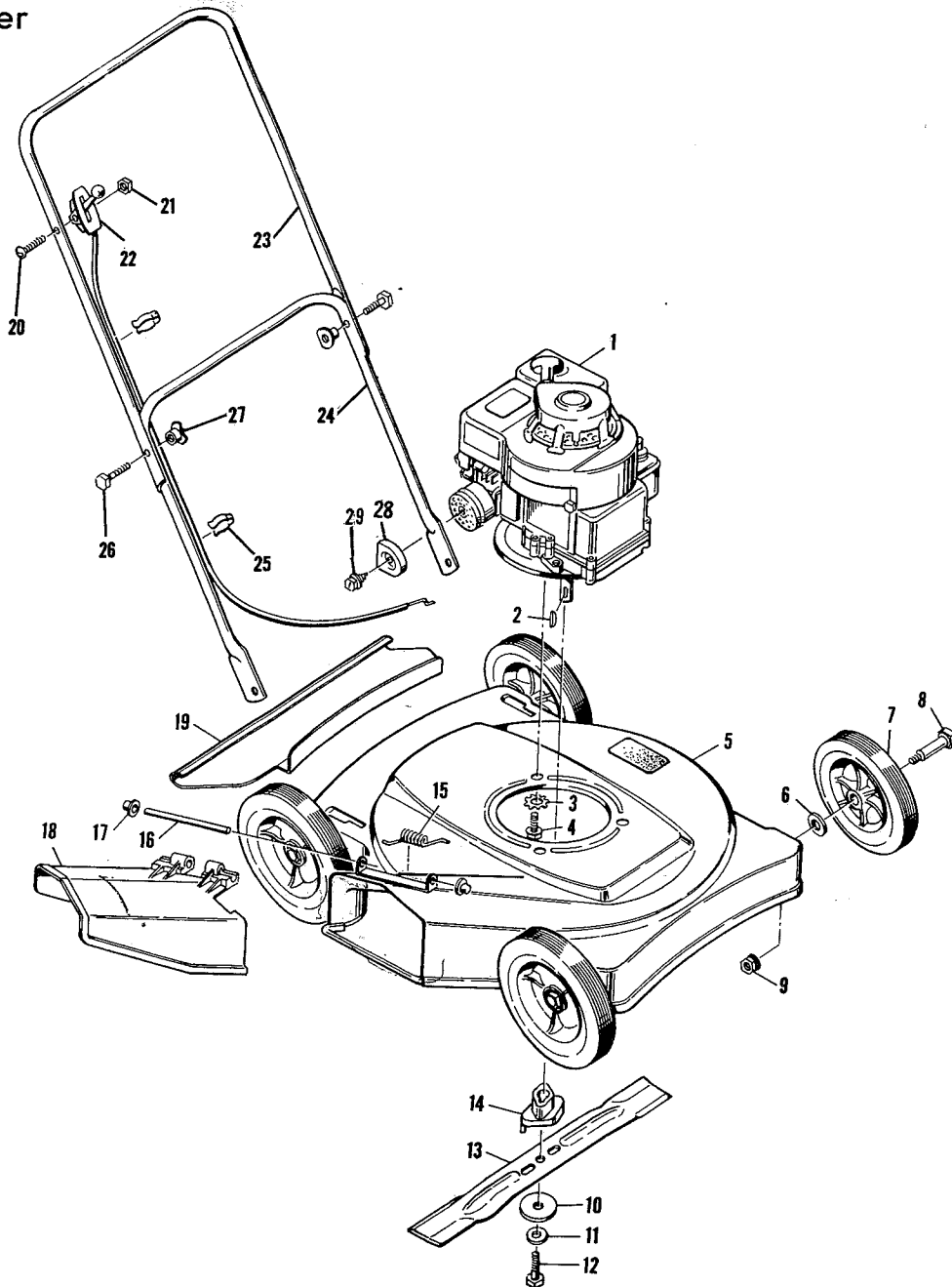


4-2001 20" Equipped
Rotary Mower



Item No.	Model 4-2001 Part No.	Description
1	-----	Engine*
2	20062	Woodruff Key
3	19x8	Shakeproof Washer
4	20103	Engine Bolt
5	22074	Housing Assy.
6	10851 Z	Washer
7	20270	Wheel & Tire
8	20086	Axle Bolt
9	15x68	Flange Locknut
10	20094 Z	Washer
11	17x101	Cup Washer
12	1x68	Blade Adapter Bolt
13	20045	Blade
14	20050	Blade Adapter
15	22052	Torsion Spring

Item No.	Model 4-2001 Part No.	Description
16	22050 Z	Pivot Pin
17	28x42	Push-On-Cap
18	20454	Chute Deflector
19	20451	Rear Guard Panel
20	3x99	Bolt
21	15x66	Keys Nut
22	22058	Control Assy.
23	20437 C	Upper Handle Assy.
24	20438 C	Lower Handle Assy.
25	20089	Cable Clip
26	20412	Bolt
27	20410	T-Nut
28	20459	Exhaust Deflector
29	20460	Exhaust Deflector Screw