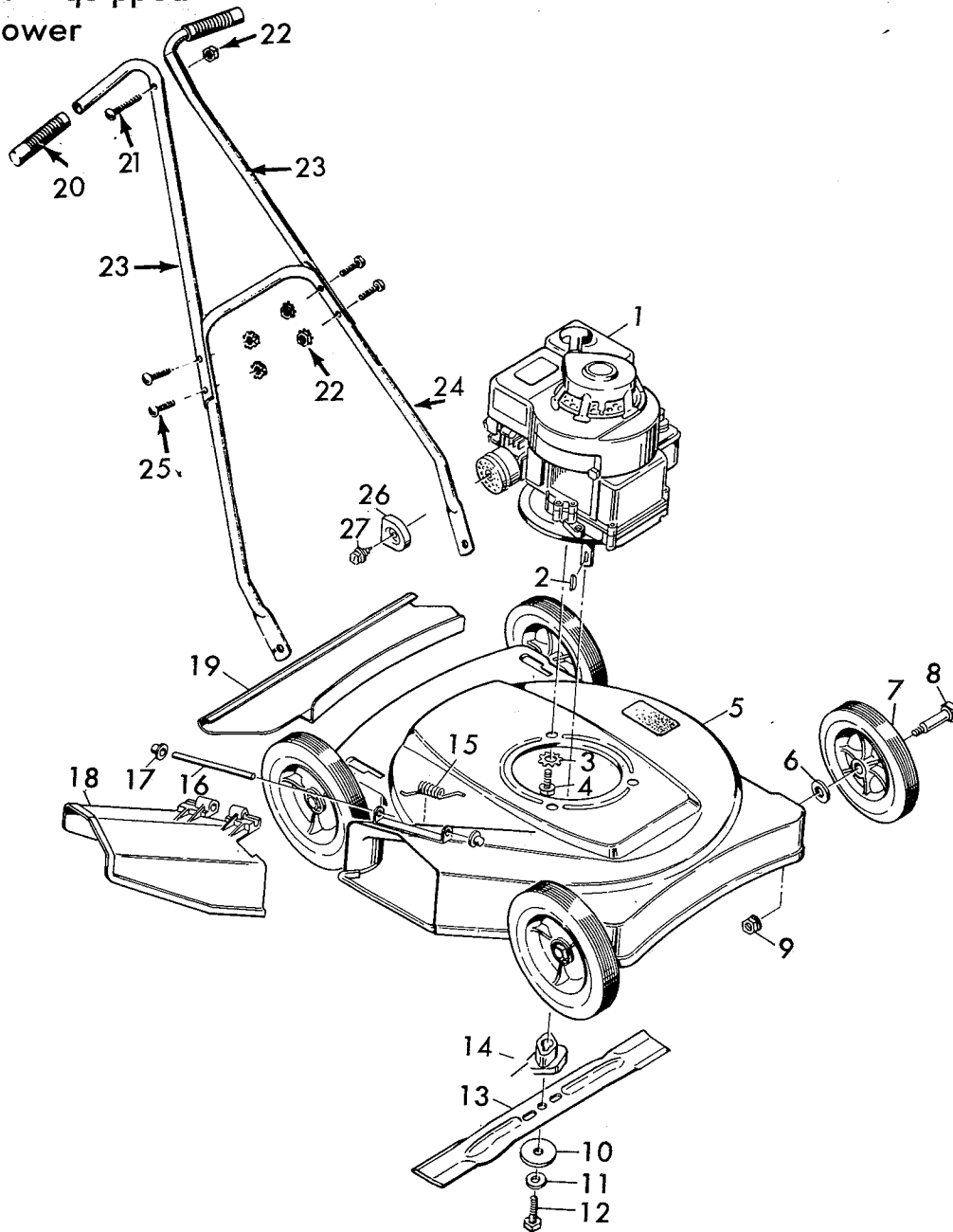


4-1801 18" Equipped
Rotary Mower



Item No.	Model 4-1801 Part No.	Description
1	-----	Engine
2	20062	Woodruff Key
3	19x8	Shakeproof Washer
4	20103	Engine Bolt
5	22070	Housing Assy.
6	10851 Z	Washer
7	22127	Wheel & Tire
8	20086	Axle Bolt
9	15x68	Flange Locknut
10	20094 Z	Washer
11	17x101	Cup Washer
12	1x68	Blade Adapter Bolt
13	20059	Blade
14	20050	Blade Adapter

Item No.	Model 4-1801 Part No.	Description
15	22052	Torsion Spring
16	22050 Z	Pivot Pin
17	28x42	Push-On-Cap
18	20453	Chute Deflector
19	20450	Rear Guard Panel
20	20718	Grip
21	3x105	Bolt
22	15x66	Keps Nut
23	20307 C	Upper Handle R. H. & L. H.
24	20308 C	Lower Handle Assy.
25	3x97	Bolt
26	20459	Exhaust Deflector
27	20460	Exhaust Deflector Screw