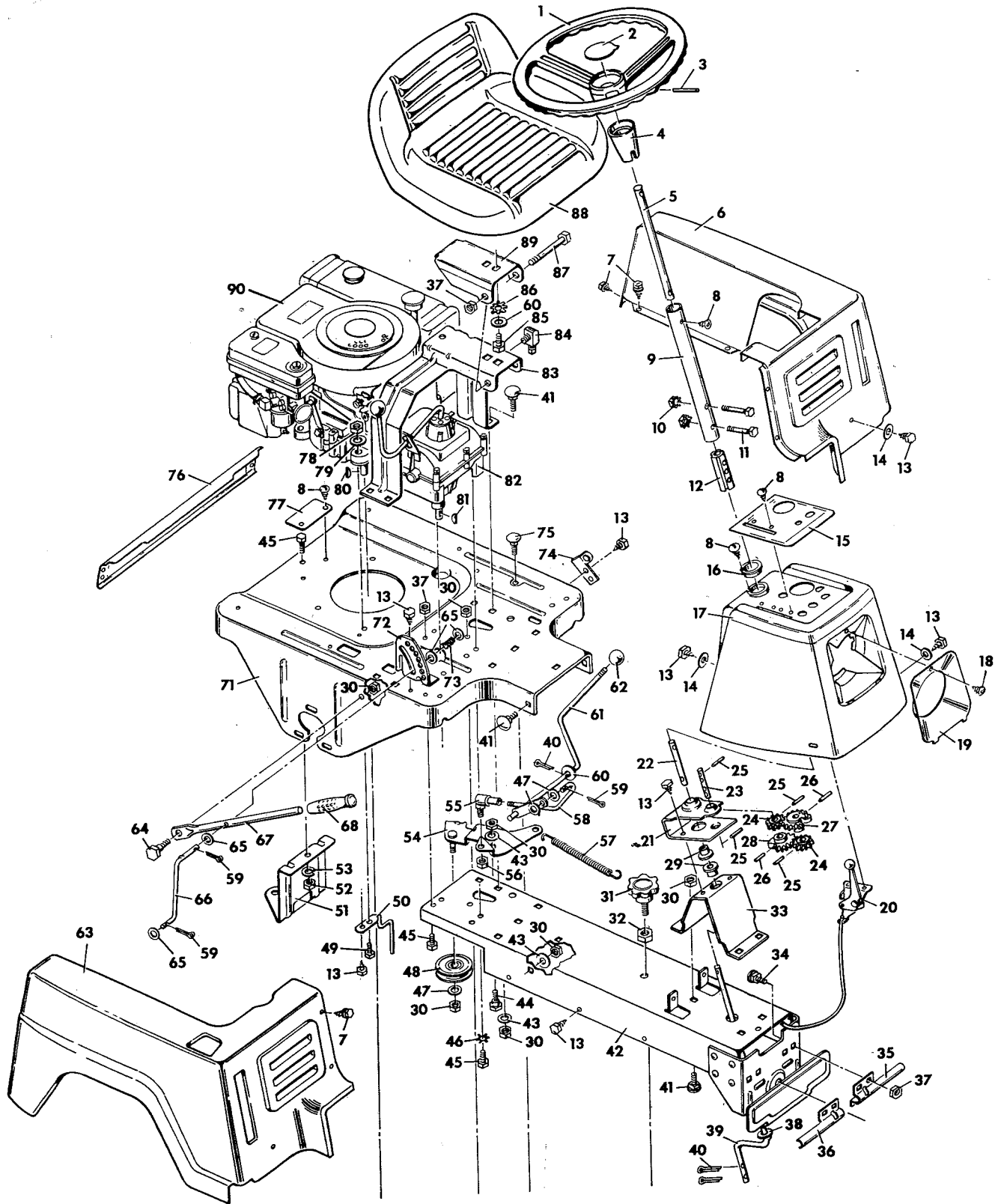
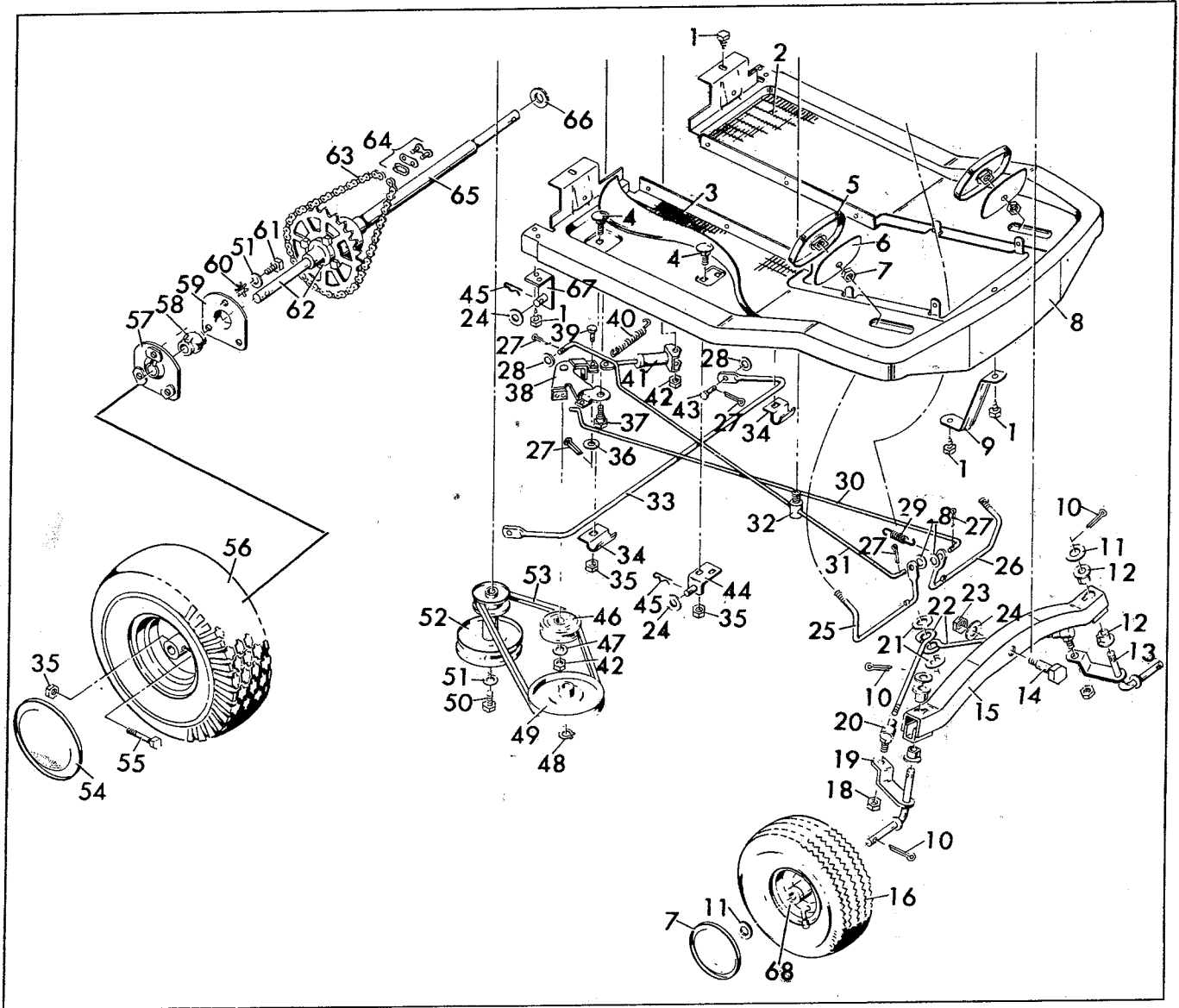


**Riding Mower 36"**  
**Model 3-3633**  
**Top Half**



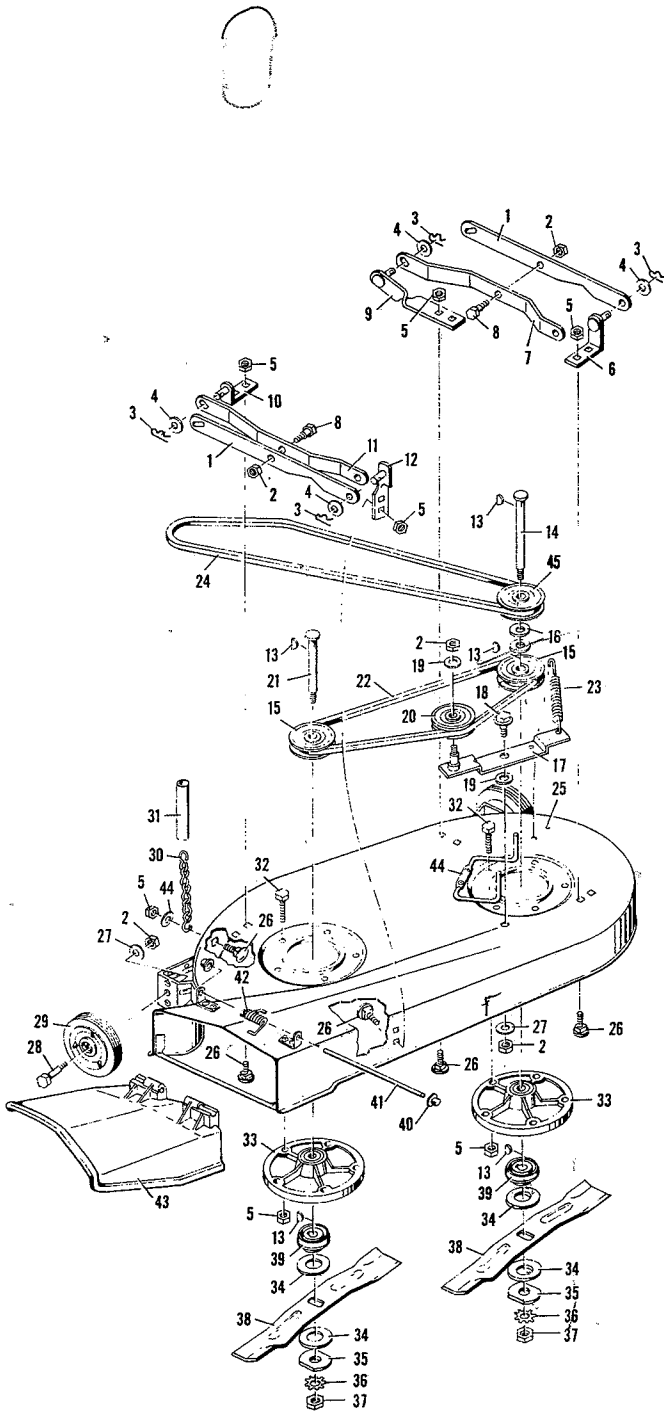
Item No.	Model 3-3633 Part No.	Description	List Price Each	Item No.	Model 3-3633 Part No.	Description	List Price Each
1	21323	Steering Wheel	9.56	45	1x45	Bolt 5/16-18x5/8	.20
2	21303	Steering Wheel Cap	.20	46	19x6	Shakeproof Washer	.20
3	32x68	Spring Pin	.20	47	17x53	Washer	.20
4	21333	Collar	.45	48	20613	Idler Pulley	3.96
5	20866	Upper Steering Post	1.02	49	1x66	Hex Bolt 5/16-24x1-3/8	.20
6	20975	Shroud L. H.	10.36	50	21054	Belt Guide	.40
7	26x184	Screw	.23	51	21047Z	Hitch	2.00
8	26x159	Screw	.20	52	15x2	Hex Nut 5/16-18	.20
9	21174C	Steering Sleeve	1.00	53	18x15	Lockwasher	.20
10	15x76	Hex Nut - Keps 5/16-18	.20	54	20943Z	Blade Drive Idler Assy.	2.28
11	6x59	Hex Bolt 5/16-18x2	.20	55	21031	Ball Joint	1.58
12	21175	Coupling	2.04	56	15x77	Hex Nut	.20
13	26x50	Screw	.20	57	20683	Blade Drive Idler Spring	.84
14	17x45Z	Washer	.20	58	21004Z	Link Rod	1.20
15	21242	Control Plate	2.02	59	30x20	Cotter Pin	.20
16	21035	Nylon Bearing	.62	60	17x67	Plain Washer	.20
17	20985	Console Assy.	6.50	61	21002Z	Blade Drive Lever Assy.	2.80
18	26x172	Screw	.20	62	20739	Lever Knob	.96
19	21045C	Bezel Reflector	1.84	63	20972	Shroud R. H.	10.20
20	21223	Remote Control	2.19	64	20662	Shoulder Bolt	.36
21	21331	Gear Support	.80	65	17x46	Plain Washer	.20
22	21328	Steering Post Extension	.68	66	21005Z	Connector Rod	1.48
23	21327	Idler Gear Shaft	.90	67	20658C	Lifting Lever	1.62
24	21326	Pinion Gear	.51	68	20718	Lifting Lever Grip	.30
25	32x71	Spiral Gear Pin	.20	71	20901	Engine Base	17.59
26	32x72	Spiral Gear Pin	.20	72	20636	Lifter Index Brkt.	.79
27	21329	Stop Gear Sector	1.71	73	20680	Lifter Spring	.20
28	21330	Steering Gear Sector	1.56	74	21220	Switch Retainer	.20
29	20587	Nylon Bearing	.20	75	2x58	Carriage Bolt	.20
30	15x12	Lock Nut 3/8-16	.20	76	20971	Shroud Panel	1.04
31	21017	Parking Brake Knob	2.14	77	20881	Model No. Plate	.20
32	15x74	Hex Jam Nut	.20	78	15x42	Locknut 5/16-24	.20
33	21334	Steering Support	1.66	79	17x47Z	Plain Washer	.20
34	2x53	Carriage Bolt 5/16-18x5/8	.20	80	20062	Woodruff Key #6	.30
35	20917	Clutch Clamp L. H.	.46	81	20697	Woodruff Key #9	.28
36	20916	Brake Clamp R. H.	.46	82	21368	Transmission	76.52
37	15x79	Flangenut 5/16-18	.20	83	20926	Seat Bracket	3.78
38	17x87	Plain Washer	.20	84	20735	Oil Drain Fitting	1.58
39	21332	Lower Steering Post	1.50	85	1x88	Hex Bolt 1/2-13	.29
40	30x49	Cotter Pin	.20	86	19x36	Shakeproof Washer	.20
41	2x57	Carriage Bolt	.20	87	1x78	Hex Bolt 5/16-18 x 4-1/4	.23
42	400178	Frame Channel	11.94	88	21324	Seat	24.66
43	10851Z	Washer	.20	89	21048Z	Seat Hinge	2.04
44	20661	Shoulder Bolt	.36	90	-----	Engine*	----

**Riding Mower 36"**  
**Model 3-3633**  
**Lower Half**



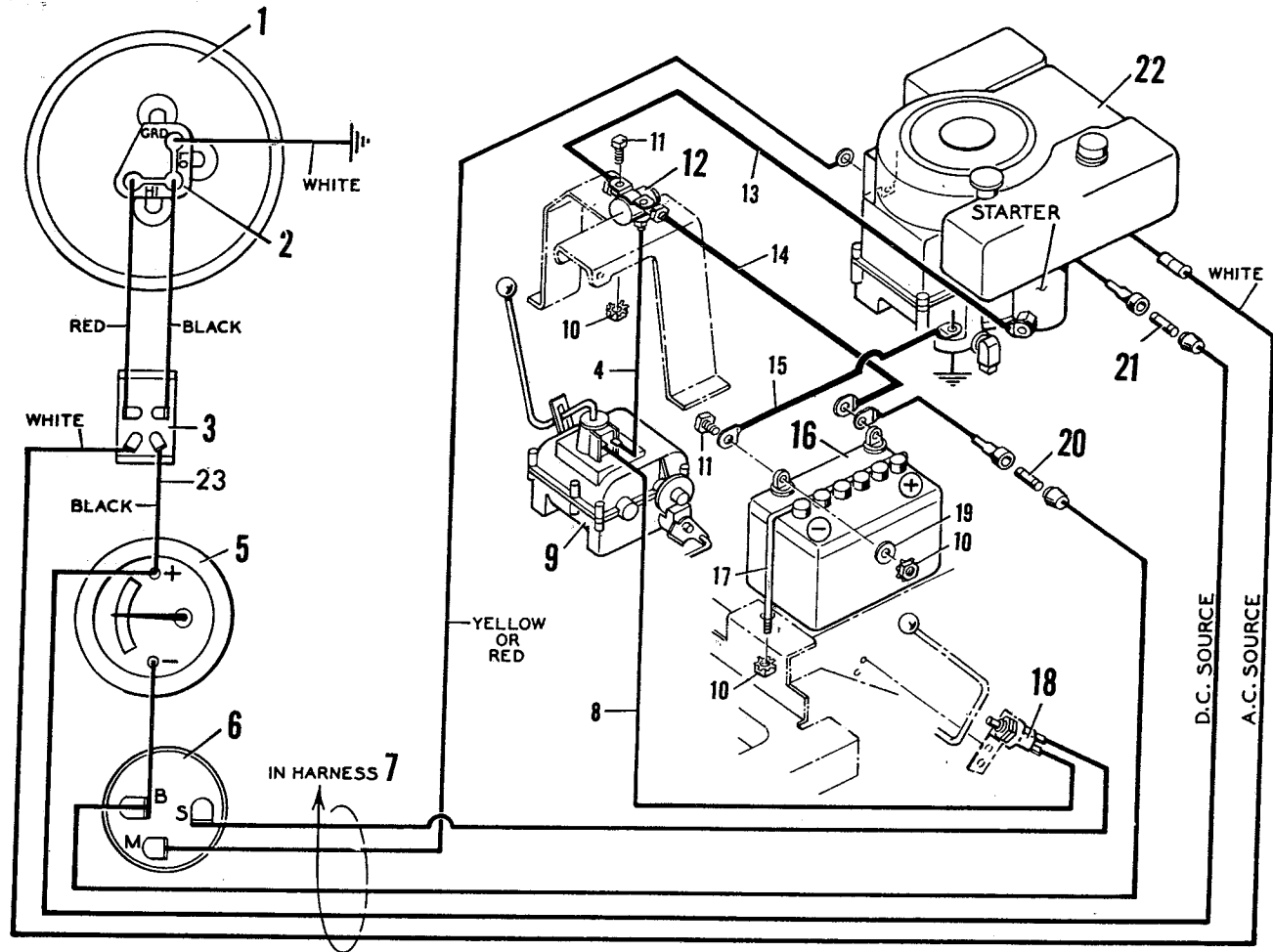
Item No.	Model 3-3633 Part No.	Description	List Price Each	Item No.	Model 3-3633 Part No.	Description	List Price Each
1	26x50	Screw	.20	36	17x46Z	Plain Washer	.20
2	21007	Rubber Mat L. H.	3.49	37	20662	Shoulder Bolt	.36
3	21006	Rubber Mat R. H.	3.49	38	20670	Drive Idler Assy.	2.70
4	2x53	Carriage Bolt	.20	39	29x94	Clevis Pin	.20
5	20999E	Clutch and Brake Pedal	1.47	40	20682	Drive Idler Spring	.46
6	21051E	Pedal Back Up Plate	.30	41	20891	Air Cylinder	2.98
7	15x64	Hex Nut 1/2-13	.21	42	15x12	Locknut 3/8-16	.20
8	20923	Running Board	20.67	43	29x93	Clevis Pin	.20
9	20949	Support Brkt.	.52	44	20996	Hanger Bracket	1.16
10	30x49	Cotter Pin	.20	45	20692	Hair Pin Cotter	.20
11	17x100	Plain Washer	.20	46	20613	Idler Pulley	3.96
12	20939	Spindle Bearing	.40	47	17x53	Plain Washer	.20
13	20953	Spindle Assy. L. H.	3.04	48	20698	Retainer Ring	.20
14	20908	Shoulder Bolt	2.34	49	20614	Transmission Pulley	3.83
15	20914	Front Axle Assy.	4.99	50	1x20	Hex Bolt 3/8-24x1	.20
16	20744	Front Wheel and Tire	22.96	51	10851 Z	Washer	.20
	133x4	Tire Only	16.34	52	21014Z	Stack Pulley Assy.	4.31
	135x4	Wheel Only	9.13	53	20716	Drive Belt	2.44
17	21081	Hub Cap	2.68	54	20797	Hub Cap	2.84
18	15x77	Hex Nut 3/8-24	.20	55	1x81	Hex Bolt 5/16-18x1-5/8	.20
19	20952	Spindle Assy. R. H.	3.04	56	20754	Rear Wheel and Tire	31.08
20	21031	Ball Joint	1.58		133x6	Tire Only	25.58
21	17x87	Plain Washer	.20		135x6	Wheel Only	10.58
22	20948	Tie Rod	.80		400162	Valve Stem and Cap	.89
23	15x41	Locknut	.20	57	21009Z	Outer Bearing Retainer Assy.	1.08
24	17x67	Plain Washer	.20	58	20568	Rear Axle Bearing	3.07
25	20919	Brake Lever R. H.	1.26	59	20570Z	Bearing Retainer	.54
26	20919	Clutch Lever L. H.	1.26	60	19x7	Shakeproof Washer	.20
27	30x20	Cotter Pin	.20	61	1x77	Hex Bolt 3/8-24x3/4	.20
28	17x47	Plain Washer	.20	62	21000	Differential and Axle	28.25
29	21041	Pedal Snubber Spring	.34	63	20733	Chain and Link #41	3.40
30	21129	Clutch Rod	.43	64	20730	Connecting Link #41 Chain	.34
31	21128	Brake Rod	.90	65	20848Z	Rear Axle Sleeve	.72
32	21016	Parking Brake Base	2.28	66	61961 Z	Washer	.20
33	20942	Lifter Rod	2.74	67	21090	Hanger Brkt. Assy.	.59
34	20993	Lifter Clamp	.22	68	20745	Frnt. Wheel Bearing	.36
35	15x43Z	Hex Nut	.23				

**Blade Housing  
Riding Mower  
Model 3-3633**



Item No.	Model 3-3633 Part No.	Description	List Price Each
1	20644	Outer Scissor Arm	1.64
2	15x12	Locknut	.20
3	20692	Hair Pin Cotter	.20
4	17x67Z	Plain Washer	.20
5	15x79	Locknut	.20
6	20995	Scissor Brkt. Assy. L. H. Front	1.18
7	20643	Inner Scissor Arm L. H.	1.80
8	20661	Shoulder Bolt	.31
9	21020	Scissor Brkt. Assy. L. H. Rear	1.54
10	20994	Scissor Brkt. Assy. R. H. Rear	1.14
11	20642	Inner Scissor Arm R. H.	1.80
12	21018	Scissor Brkt. Assy. R. H. Front	1.28
13	20062	Woodruff Key #6	.30
14	21024	Jackshaft Long	3.09
15	21022	Jackshaft Pulley	2.79
16	17x87Z	Plain Washer	.20
17	21139Z	Idler Brkt. Assy.	.76
18	20662	Shoulder Bolt	.36
19	17x53Z	Plain Washer	.20
20	20613	Idler Pulley	3.96
21	20616	Jackshaft	2.75
22	20557	Cross Drive Belt	3.26
23	20684	Drive Idler Spring	.84
24	20558	Blade Drive Belt	3.80
25	400183	Blade Housing Assy.	15.02
26	2x53	Carriage Bolt	.20
27	10851 Z	Washer	.20
28	20086	Axle Bolt	.28
29	21027	Gauge Wheel	2.14
30	21028	Lifter Chain	.52
31	20989	Chain Cover	.33
32	1x73	Hex Bolt	.20
33	20551	Jackshaft Housing	7.90
34	20618	Blade Cushion	.40
35	20663Z	Blade Washer	.30
36	19x36	Shakeproof Washer	.20
37	15x72	Hex Nut	.20
38	20930	Blade	2.98
39	20617	Blade Adapter	1.46
40	28x23	Push-On-Cap	.20
41	21198Z	Pivot Rod	.20
42	21189	Torsion Spring	.52
43	21154	Chute Deflector	1.62
44	21160Z	Belt Guide	.52
45	21096	Jackshaft Pulley	2.85

**Electric System**  
**Models 3-3233 and 3-3633**



Item No.	Model 3-3233 3-3633 Part No.	Description	List Price Each
1	20837	Seal Beam Light	5.09
2	21074	Socket	2.38
3	20776	Light Switch	4.78
4	21265	Jumper Wire	.26
5	21057	Ammeter	3.54
6	21267	Switch and Key	3.78
7	21262	Wiring Harness Assy.	4.58
8	20609	Jumper Wire	.31
9	21368	Transmission	76.52
10	15x66	Keps Nut	.25
11	1x38	Hex Bolt	.20
12	21261	Solenoid Switch	6.70
13	21264	Battery Wire (Long)	1.92
14	21263	Battery Wire (Short)	1.47
15	21038	Battery Cable	2.82
16	21075	Battery	38.79
17	21053Z	Battery Hold Down	.56
18	20608	Limit Switch	1.01
19	17x36Z	Washer	.20
20	21023	Fuse - 15 Amp.	.20
21	21080	Fuse - 7.5 Amp.	.20
22	----	Engine (See Mower Parts List)	----
23	21298	Jumper Wire	.22
	20729	Switch Key	.76