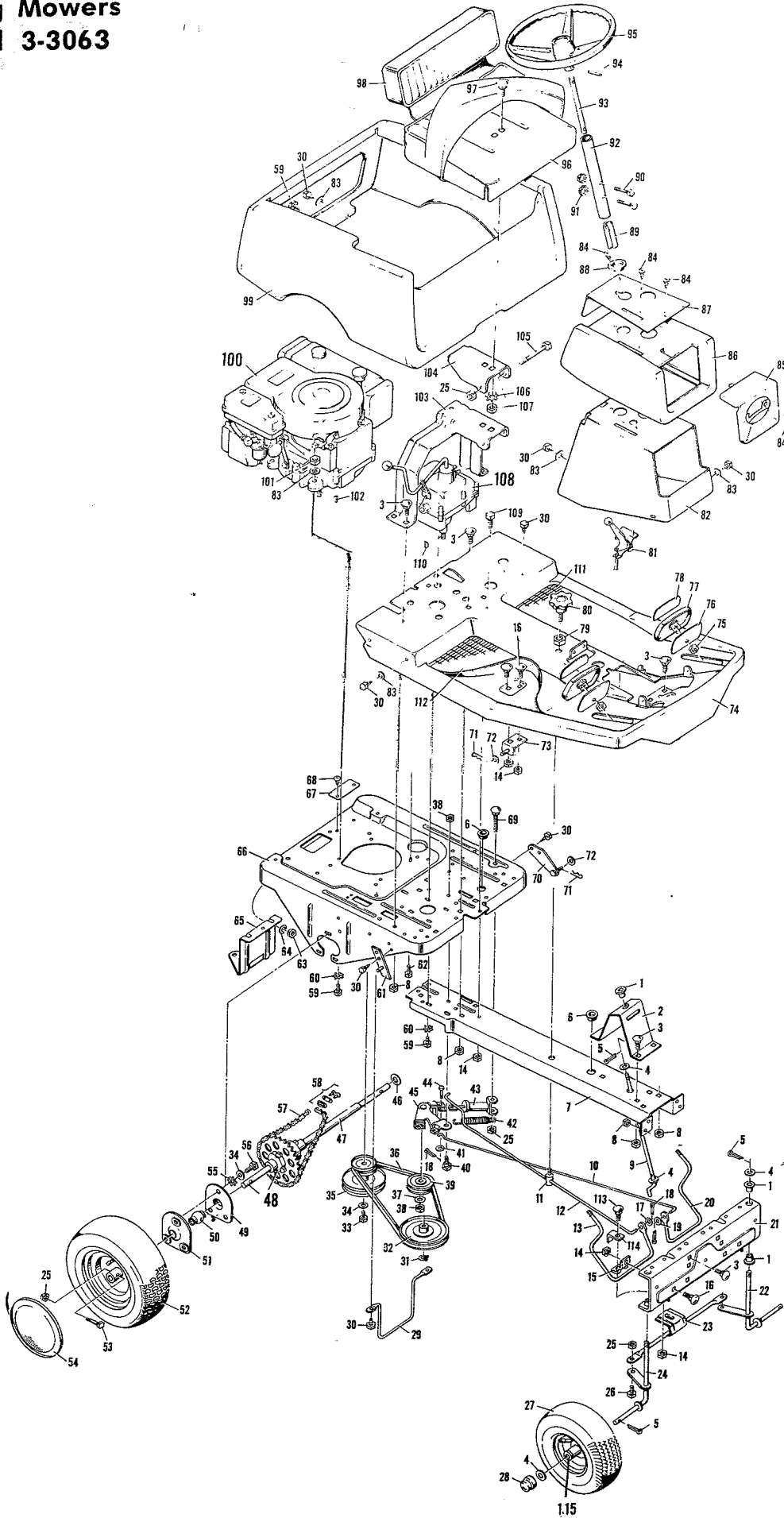
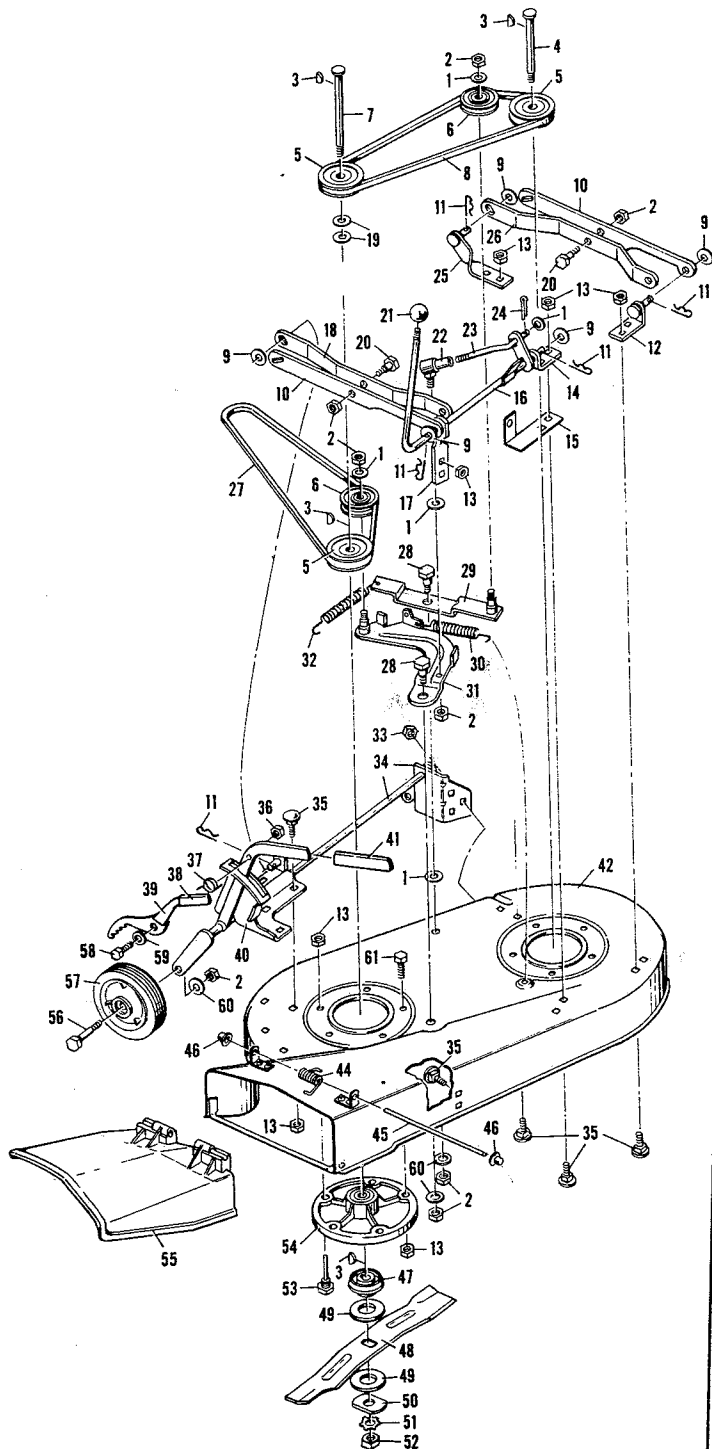


Riding Mowers
Model 3-3063



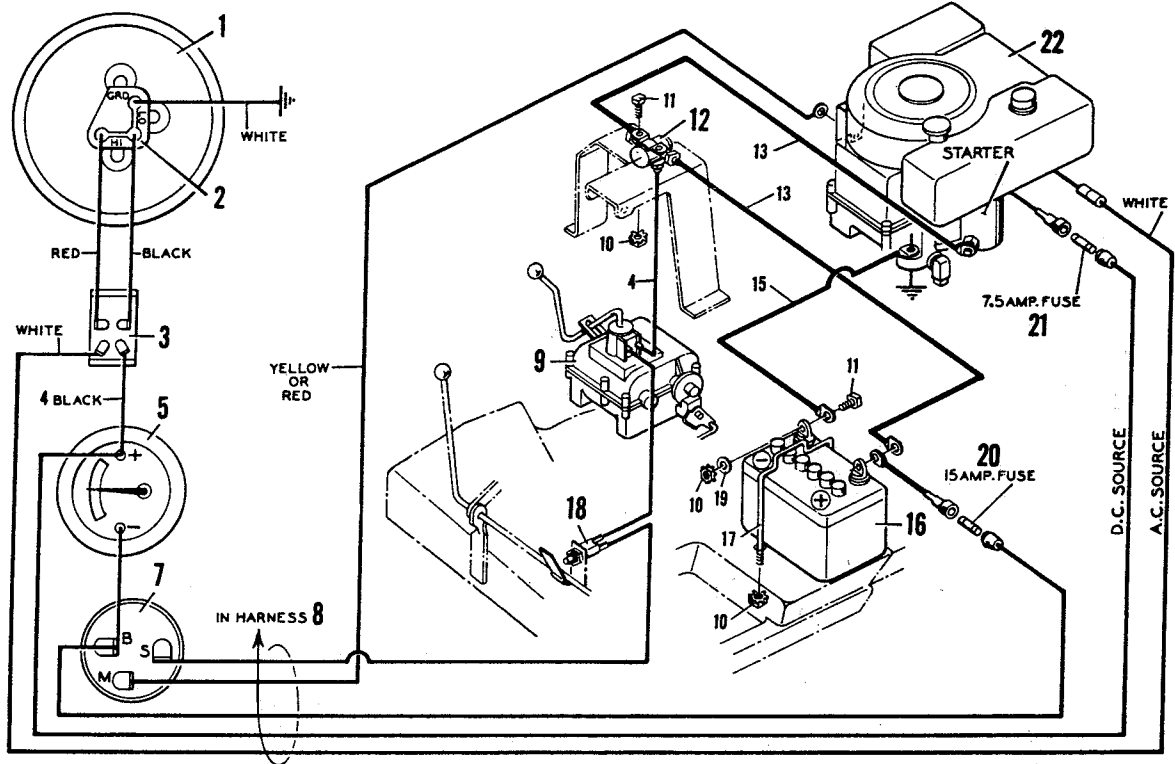
Item No.	Model 3-3063 Part No.	Description	List Price Each	Item No.	Model 3-3063 Part No.	Description	List Price Each
1	20587	Nylon Bearing	.20	55	19x7	Shakeproof Washer	.20
2	21071	Steering Support	1.66	56	1x77	Hex Bolt 3/8 - 24 x 5/8	.20
3	2x56	Carriage Bolt 3/8 - 16 x 3/4	.20	57	20732	Chain & Link 33-1/2 #41	3.06
4	17x100Z	Plain Washer	.20	58	20730	Connecting Link - #41 Chain	.34
5	30x49	Cotter Pin	.20	59	1x45	Hex Bolt 5/16 - 18 x 5/8	.20
6	21268	Grommet	.20	60	19x6	Shakeproof Washer	.20
7	21108	Frame Channel	4.69	61	21292	Hanger & Pin Assy. R. H.	.58
8	15x68	Flange Nut 3/8 - 16	.20	62	1x74	Hex Bolt 5/16 - 24 x 1-1/4	.20
9	21134	Lower Steering Post	1.37	63	15x2	Hex Nut 5/16 - 18	.20
10	21110	Clutch Rod	.41	64	18x15	Lockwasher	.20
11	21016	Parking Brake Base	2.28	65	21047Z	Hitch	2.00
12	21126	Brake Rod	.89	66	21119	Engine Base	12.92
13	21106	Brake Lever	.87	67	20881	Name Plate	.20
14	15x79	Flange Nut 5/16 - 18	.20	68	26x159	Self Tapping Screw #8 x 3/8	.20
15	20572	Clamp	.20	69	2x58	Carriage Bolt 5/16 - 18 x 2-1/2	.20
16	2x53	Carriage Bolt 5/16 - 18 x 5/8	.20	70	20510	Hanger & Pin Assy. L.H.	1.14
17	17x46	Plain Washer	.20	71	20692	Hair Pin Cotter	.20
18	30x20	Cotter Pin	.20	72	17x67Z	Plain Washer	.20
19	17x32	Plain Washer	.20	73	20996	Hanger Brkt. Assy.	1.16
20	21107	Clutch Lever	3.49	74	21101	Running Board	21.35
21	20545	Front Axle Beam	2.94	75	15x63	Hex Nut 7/16 - 14	.27
22	21309	Spindle & Arm Assy. - L.H.	1.58	76	21051E	Pedal Back-Up Plate	.30
23	21304	Tie Bar Assy.	1.49	77	21127	Clutch & Brake Pedal Assy.	.54
24	21308	Spindle & Arm Assy. - R.H.	1.58	79	15x74	Hex Jam Nut 5/8 - 18	.20
25	15x43Z	Locknut 5/16 - 18	.23	80	21017	Parking Brake Knob	2.14
26	20660	Shoulder Bolt	.26	81	21223	Remote Control Unit	2.19
27	20743	Front Wheel & Tire Assy.	19.75	82	21143	Console & Cap Assy.	6.91
	133x2	Tire Only	12.88	83	17x47Z	Plain Washer	.20
	134x2	Tube Only	5.15	84	26x160	Self Tapping Screw #8 x 5/8	.20
	135x2	Wheel Only	7.72	85	21269C	Bezel & Seal Beam Retainer Assy.	1.40
28	20796	Hub Cap - Front	.70	86	21155	Console Pod	3.20
29	20677	Belt Guide	.64	87	21145	Control Plate	4.25
30	26x50	Hex Tapping Screw 5/16 x 5/8	.20	88	21136	Nylon Bearing	.20
31	20698	Retainer Ring	.20	89	21175	Coupling	2.04
32	20614	Transmission Pulley	3.83	90	6x59	Hex Cap Screw 5/16 - 18 x 2	.20
33	1x20	Hex Bolt 3/8 - 24 x 1	.20	91	15x76	Hex Nut 5/16 - 18	.20
34	10851Z	Plain Washer	.20	92	21133C	Steering Post Sleeve	.91
35	20626Z	Stack Pulley Assy.	4.46	93	21132	Upper Steering Post	1.04
36	20716	Drive Belt	2.44	94	32x68	Spring Pin	.20
37	17x53Z	Plain Washer	.20	95	21311	Steering Wheel	7.63
38	15x12	Locknut 3/8 - 16	.20		21303	Steering Wheel Cap	.20
39	20613	Idler Pulley	3.96	96	21105	Seat Pan	6.80
40	20662	Shoulder Bolt	.36	97	2x55	Carriage Bolt 1/2 - 13 x 1	.44
41	17x37	Plain Washer	.20	98	21248	Seat Pad w/Back Rest	13.79
42	20682	Spring - Drive Idler	.46	99	21116	Shroud Assy.	18.57
43	20891	Air Cylinder & Bracket	2.98	100	-----	Engine	-----
44	29x94	Clevis Pin	.20	101	15x42	Hex Locknut 5/16 - 24	.20
45	20670	Drive Idler Assy.	2.70	102	20062	Woodruff Key #6	.30
46	61961Z	Plain Washer	.20	103	20926	Seat Bracket	3.78
47	20847Z	Rear Axle Sleeve	.66	106	19x36	Shakeproof Washer	.20
48	21179	Differential & Axle	27.14	107	15x64	Hex Nut 1/2 - 13	.21
49	20570Z	Retainer - Inner	.54	108	21369	Transmission	76.90
50	21131	Rear Axle Bearing	2.41	109	1x73	Hex Bolt 5/16 - 18 x 7/8	.20
51	21009Z	Outer Bearing & Retainer Assy.	1.08	110	20697	Woodruff Key #9	.28
52	20752	Rear Wheel & Tire	24.85	111	21177	Rubber Mat L.H.	2.12
	133x3	Tire Only	19.95	112	21176	Rubber Mat R.H.	2.12
	135x3	Wheel Only	11.11	113	2x16	Carriage Bolt	.20
	400162	Valve Stem & Cap	.89	114	20709	Brace	.20
53	1x81	Hex Bolt 5/16 - 18 x 1-5/8	.20	115	20745	FRT Wheel Bearing	.36
54	20797	Hub Cap - Rear	2.84				

**Blade Housing
Riding Mowers
Model 3-3063**



Item No.	Model 3-3063 Part No.	Description	List Price Each
1	17x53	Washer	.20
2	15x12	Hex Nut	.20
3	20062	Woodruff Key #6	.30
4	20616	Jackshaft Short	2.75
5	21022	Jackshaft Pulley	2.79
6	20613	Idler Pulley	2.96
7	21024	Jackshaft Long	3.09
8	20555	Cross Drive Belt	3.06
9	17x67	Washer	.20
10	20644	Outer Scissor Arm	1.64
11	20692	Hair Pin Cotter	.20
12	20994	Scissor Brkt. Assy. L. H. Front	1.14
13	15x43	Hex Nut	.23
14	20936	Hanger Brkt.	.40
15	21216	Switch Retainer	.20
16	21138C	Lever & Link Assy.	1.96
17	21019	Housing Brkt.	.40
18	20642	Inner Scissor Arm R. H.	1.80
19	17x87Z	Washer	.20
20	20661	Shoulder Bolt	.36
21	20739	Knob	.96
22	21031	Ball Joint	1.58
23	20509	Link Rod	1.14
24	30x20	Cotter Pin	.20
25	21020	Scissor Brkt. Assy. L. H. Rear	1.54
26	20643	Inner Scissor Arm L. H.	1.80
27	20556	Primary Blade Belt	3.31
28	20662	Shoulder Bolt	.36
29	20944	Idler Brkt. Assy.	.64
30	20684	Drive Spring	.66
31	20653	Blade Idler Brkt. Assy.	1.02
32	20682	Idler Spring	.46
33	15x79	Hex Nut	.20
34	20759	Lifter Mechanism Assy.	5.94
35	2x53	Carriage Bolt	.20
36	15x67	Hex Nut	.20
37	20477	Spring	.38
38	20476	Grip	.20
39	20475	Latch	.68
40	21161	Lifter Brkt. Assy.	2.12
41	21249	Grip	.20
42	400181	Blade Housing Assy.	14.35
44	21189	Torsion Spring	.52
45	21197Z	Deflector Rod	.20
46	28x23	Push-On-Cap	.20
47	20617	Blade Adapter	1.46
48	20928	Blade	2.56
49	20618	Blade Cushion	.40
50	20663Z	Washer	.30
51	19x36	Shakeproof Washer	.20
52	15x72	Hex Nut	.20
53	20619	Guide Bolt	.38
54	20551	Jack Shaft Housing Assy.	7.90
55	21152	Chute Deflector	1.62
56	20086	Axle Bolt	.28
57	21027	Gauge Wheel	2.14
58	1x76	Bolt	.20
59	17x36	Washer	.20
60	10851 Z	Washer	.20
61	1x73	Washer	.20

**Electric System
Model 3-3063**



Item No.	Model 3-3063 Part No.	Description	List Price Each
1	20837	Seal Beam Light	5.09
2	21290	Socket	1.37
3	20776	Light Switch	4.18
4	21265	Jumper Wire 8"	.22
5	21057	Ammeter	3.54
7	21267	Switch and Key	3.78
8	20970	Wiring Harness	7.56
9	21369	Transmission	76.90
10	15x66	Keps Nut	.25
11	1x38	Hex Bolt	.20
12	21261	Solenoid Switch	6.70
13	21264	Battery Wire - Long	1.92
15	20762	Battery Cable	2.36
16	21075	Battery	38.79
17	21060Z	Battery Hold Down	.60
18	20608	Limit Switch	1.01
19	17x36Z	Washer	.20
20	21023	Fuse - 15 Amp.	.20
21	21080	Fuse - 7.5 Amp.	.20
22	-----	Engine	-----
	20729	Switch Key	.76