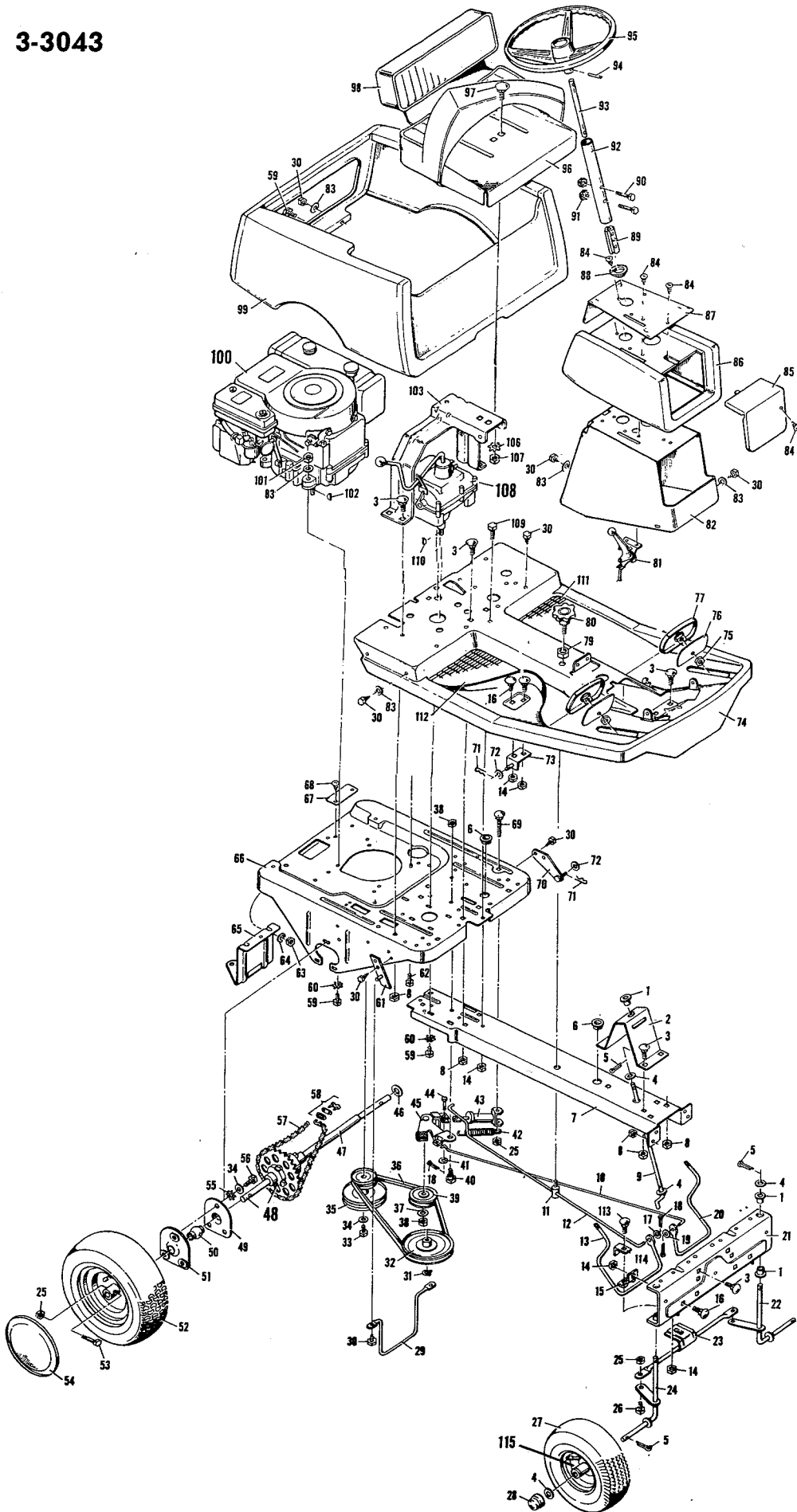


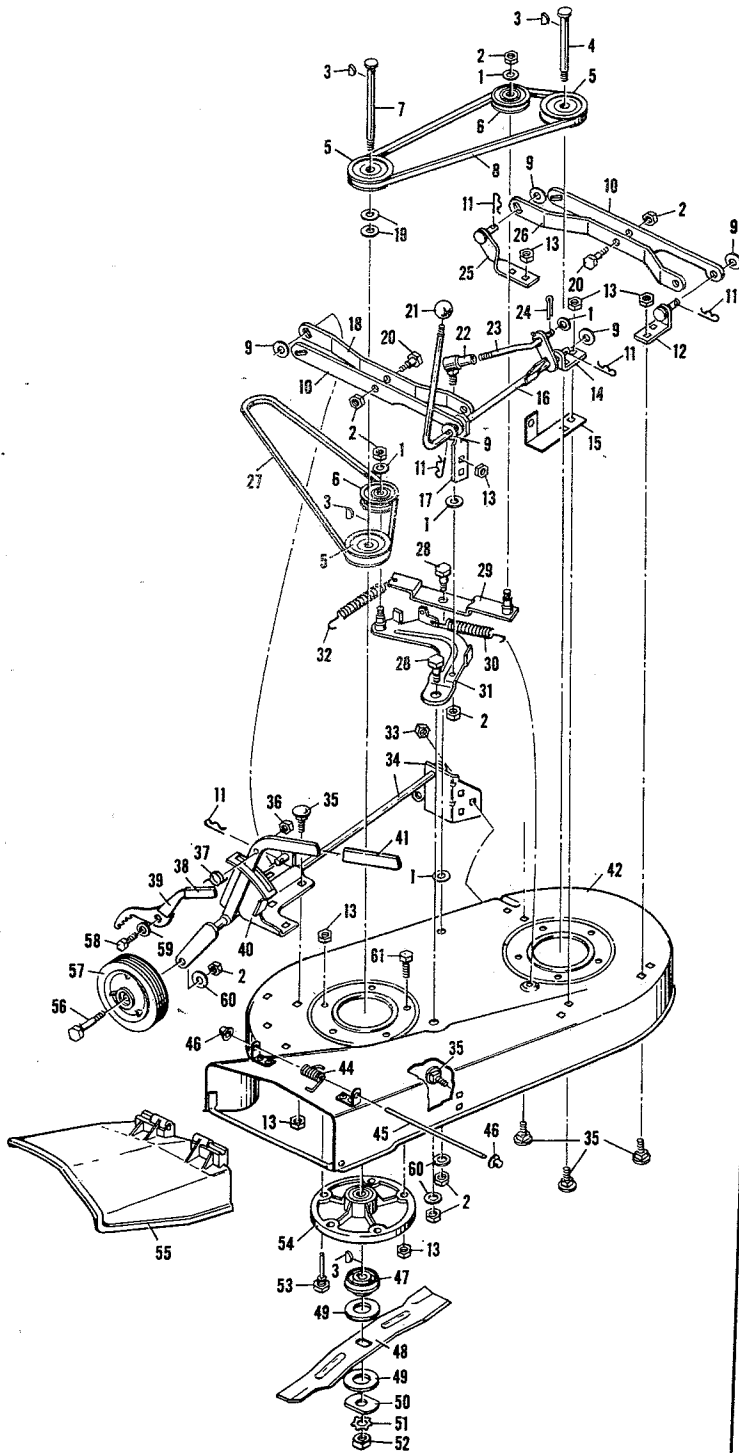
**Riding
Model 3-3043**



Item No.	Model 3-3043 Part No.	Description	List Price Each
1	20587	Nylon Bearing	.20
2	21071	Steering Support	1.66
3	2x56	Carriage Bolt 3/8-16x3/4	.20
4	17x100Z	Plain Washer	.20
5	20x49	Cotter Pin	.20
6	21268	Grommet	.20
7	21108	Frame Channel	4.69
8	15x68	Flange Nut 3/8 - 16	.20
9	21134	Lower Steering Post	1.37
10	21110	Clutch Rod	.41
11	21016	Parking Brake Base	2.28
12	21126	Brake Rod	.89
13	21106	Brake Lever	.87
14	15x79	Flange Nut 5/16 - 18	.20
15	20572	Clamp	.20
16	2x53	Carriage Bolt 5/16 - 18 x 5/8	.20
17	17x46	Plain Washer	.20
18	30x20	Cotter Pin	.20
19	17x32	Plain Washer	.20
20	21107	Clutch Lever	3.49
21	20545	Front Axle Beam	2.94
22	21309	Spindle & Arm Assy. - L. H.	1.58
23	21304	Tie Bar Assy.	1.49
24	21308	Spindle & Arm Assy. - R. H.	1.58
25	15x43Z	Locknut 5/16 - 18	.23
26	20660	Shoulder Bolt	.26
27	20743	Front Wheel & Tire Assy.	19.75
	133x2	Tire Only	12.88
	134x2	Tube Only	5.15
	135x2	Wheel Only	7.72
28	20796C	Hub Cap - Front	.70
29	20677	Belt Guide	.64
30	26x50	Hex Tapping Screw 5/16 x 5/8	.20
31	20698	Retainer Ring	.20
32	20614	Transmission Pulley	3.83
33	1x20	Hex Bolt 3/8 - 24 x 1	.20
34	10851Z	Plain Washer	.20
35	20626Z	Stack Pulley Assy.	4.46
36	20716	Drive Belt	2.44
37	17x53Z	Plain Washer	.20
38	15x12	Locknut 3/8 - 16	.20
39	20613	Idler Pulley	3.96
40	20662	Shoulder Bolt	.36
41	17x37	Plain Washer	.20
42	20682	Spring - Drive Idler	.46
43	20891	Air Cylinder & Bracket	2.98
44	29x94	Clevis Pin	.20
45	20670	Drive Idler Assy.	2.70
46	61961Z	Plain Washer	.20
47	20847Z	Rear Axle Sleeve	.66
48	21179	Differential & Axle	27.14
49	20570Z	Retainer - Inner	.54
50	21131	Rear Axle Bearing	2.41
51	21009Z	Outer Bearing & Retainer Assy.	1.08
52	20752	Rear Wheel & Tire	24.85
	133x3	Tire Only	19.95
	135x3	Wheel Only	11.11
	400162	Valve Stem & Cap	.89
53	1x81	Hex Bolt 5/16 - 18 x 1-5/8	.20

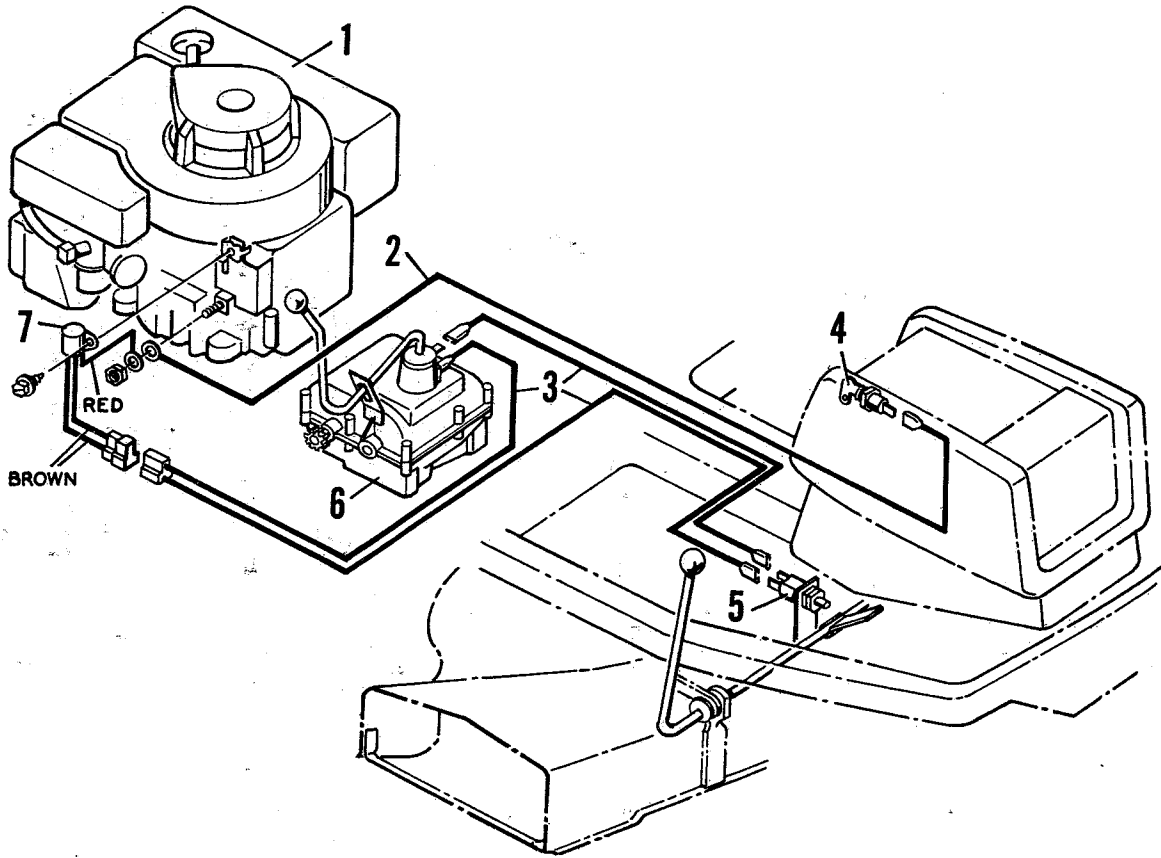
Item No.	Model 3-3043 Part No.	Description	List Price Each
54	20797	Hub Cap - Rear	2.84
55	19x7	Shakeproof Washer	.20
56	1x77	Hex Bolt 3/8 - 24 x 5/8	.20
57	20732	Chain & Link 33-1/2 #41	3.06
58	20730	Connecting Link - #41 Chain	.34
59	1x45	Hex Bolt 5/16 - 18 x 5/8	.20
60	19x6	Shakeproof Washer	.20
61	21292	Hanger & Pin Assy. R. H.	.58
62	1x74	Hex Bolt 5/16 - 24 x 1-1/4	.20
63	15x2	Hex Nut 5/16 - 18	.20
64	18x15	Lockwasher	.20
65	21047Z	Hitch	2.00
66	21119	Engine Base	12.92
67	20881	Name Plate	.20
68	26x159	Self Tapping Screw #8 x 3/8	.20
69	2x58	Carriage Bolt 5/16 - 18 x 2-1/2	.20
70	20510	Hanger & Pin Assy. L. H.	1.14
71	20692	Hair Pin Cotter	.20
72	17x67Z	Plain Washer	.20
73	20996	Hanger Brkt. Assy.	1.16
74	21101	Running Board	21.35
75	15x63	Hex Nut 7/16 - 14	.27
76	21051E	Pedal Back-Up Plate	.30
77	21127	Clutch & Brake Pedal Assy.	.54
79	15x74	Hex Jam Nut 5/8 - 18	.20
80	21017	Parking Brake Knob	2.14
81	21222	Remote Control Unit	1.97
82	21143	Console & Cap Assy.	6.91
83	17x47Z	Plain Washer	.20
84	26x160	Self Tapping Screw #8 x 5/8	.20
85	21147C	Bezel	.99
86	21155	Console Pod	3.20
87	21145	Control Plate	4.25
88	21136	Nylon Bearing	.20
89	21175	Coupling	2.04
90	6x59	Hex Cap Screw 5/16 - 18 x 2	.20
91	15x76	Hex Nut 5/16 - 18	.20
92	21133C	Steering Post Sleeve	.91
93	21132	Upper Steering Post	1.04
94	32x67	Spring Pin	.20
95	21311	Steering Wheel	7.63
96	21105	Seat Pan	6.80
97	2x55	Carriage Bolt 1/2 - 13 x 1	.44
98	21248	Seat Pad w/Back Rest	13.79
99	21116	Shroud Assy.	18.57
100	----	Engine	----
101	15x42	Hex Locknut 5/16 - 24	.20
102	20062	Woodruff Key #6	.30
103	20926	Seat Bracket	3.78
106	19x36	Shakeproof Washer	.20
107	15x64	Hex Nut 1/2 - 13	.21
108	21369	Transmission	76.90
109	1x73	Hex Bolt 5/16 - 18 x 7/8	.20
110	20697	Woodruff Key #9	.28
111	21177	Rubber Mat L. H.	2.12
112	21176	Rubber Mat R. H.	2.12
113	2x16	Carriage Bolt	.20
114	20709	Stop Brace	.20
115	20745	Frnt. Wheel Bearing	.36

**Blade Housing
Riding Mower
Model 3-3043**



Item No.	Model 3-3043 Part No.	Description	List Price Each
1	17x53	Washer	.20
2	15x12	Hex Nut	.20
3	20062	Woodruff Key #6	.30
4	20616	Jackshaft Short	2.75
5	21022	Jackshaft Pulley	2.79
6	20613	Idler Pulley	3.96
7	21024	Jackshaft Long	3.09
8	20555	Cross Drive Belt	3.06
9	17x67	Washer	.20
10	20644	Outer Scissor Arm	1.64
11	20692	Hair Pin Cotter	.20
12	20994	Scissor Brkt. Assy. L.H. Front	1.14
13	15x43	Hex Nut	.23
14	20936	Hanger Brkt.	.40
15	21216	Switch Retainer	.20
16	21138C	Lever & Link Assy.	1.96
17	21019	Housing Brkt.	.40
18	20642	Inner Scissor Arm R.H.	1.80
19	17x87Z	Washer	.20
20	20661	Shoulder Bolt	.36
21	20739	Knob	.96
22	21031	Ball Joint	1.58
23	20509Z	Link Rod	1.14
24	30x20	Cotter Pin	.20
25	21020	Scissor Brkt. Assy. L.H. Rear	1.54
26	20643	Inner Scissor Arm L.H.	1.80
27	20556	Primary Blade Belt	3.31
28	20662	Shoulder Bolt	.36
29	20944	Idler Brkt. Assy.	.64
30	20684	Drive Spring	.66
31	20653	Blade Idler Brkt. Assy.	1.02
32	20682	Idler Spring	.46
33	15x79	Hex Nut	.20
34	20759	Lifter Mechanism Assy.	5.94
35	2x53	Carriage Bolt	.20
36	15x67	Hex Nut	.20
37	20477	Spring	.38
38	20476	Grip	.20
39	20475	Latch	.68
40	21161	Lifter Brkt. Assy.	2.12
41	21249	Grip	.20
42	400181	Blade Housing Assy.	14.35
44	21189	Torsion Spring	.52
45	21197Z	Deflector Rod	.20
46	28x23	Push-On-Cap	.20
47	20617	Blade Adapter	1.46
48	20928	Blade	2.56
49	20618	Blade Cushion	.40
50	20663Z	Washer	.30
51	19x36	Shakeproof Washer	.20
52	15x72	Hex Nut	.20
53	20619	Guide Bolt	.38
54	20551	Jack Shaft Housing Assy.	7.90
55	21152	Chute Deflector	1.62
56	20086	Axle Bolt	.28
57	21027	Gauge Wheel	2.14
58	1x76	Bolt	.20
59	17x36	Washer	.20
60	10851Z	Washer	.20
61	1x73	Hex Bolt	.20

**Electric System
Model 3-3043**



Item No.	Model 3-3043 Part No.	Description	List Price Each
1	-----	Engine	----
2	20610	Jumper Wire	.35
3	21363	Wiring Harness	1.54
4	21211	Stop Switch & Key	1.76
5	20608	Limit Switch	1.01
6	21369	Transmission	76.90
7	21361	Control Module	9.14
	20756	Stop Switch Key	.20