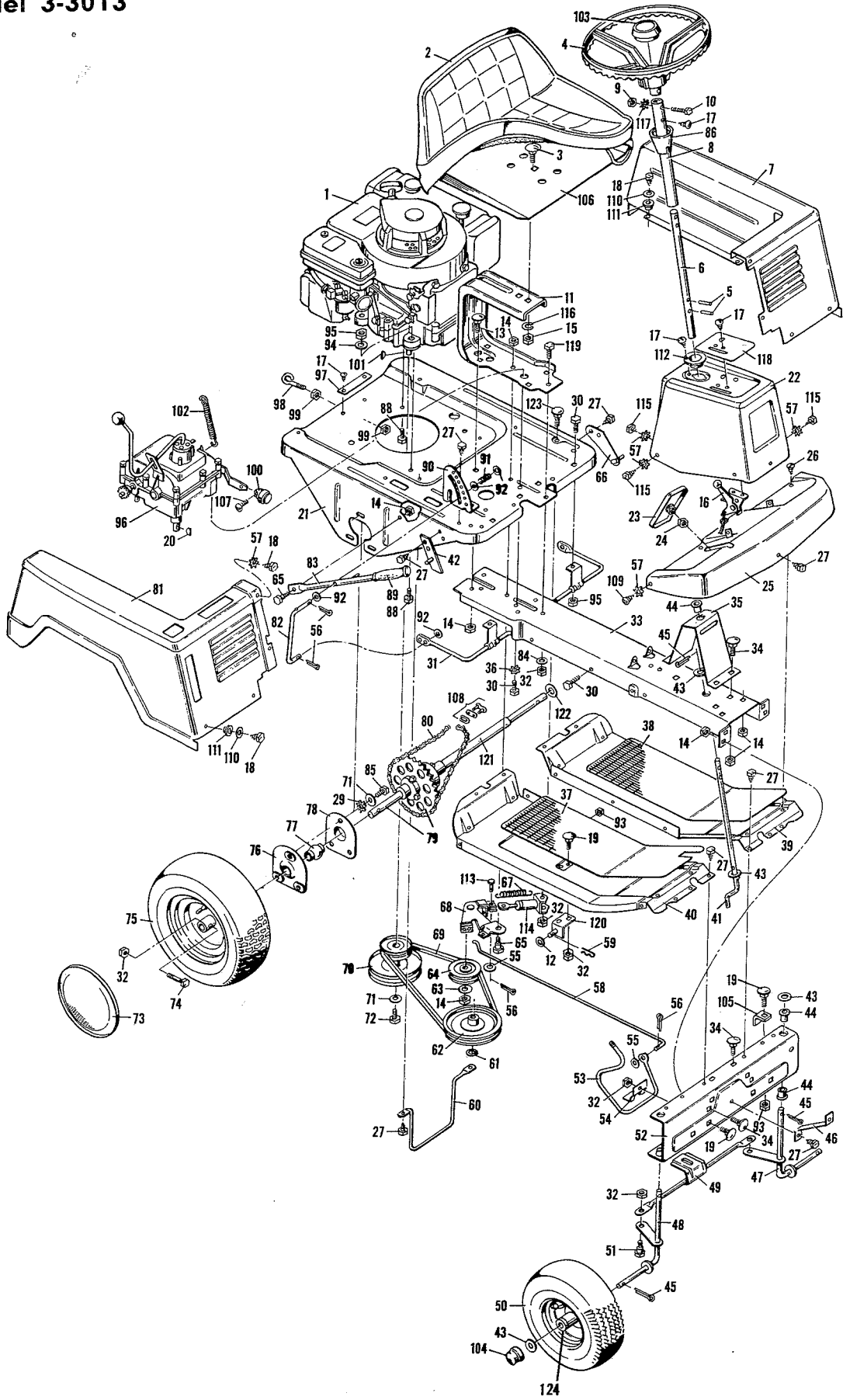


**Riding Mower 30"**  
**Model 3-3013**



**Riding Mower  
Model 3-3013**

Item No.	Model 3-3013 Part No.	Description	List Price Each
1	-----	Engine - See Note *	----
2	20728	Seat Pad	12.37
3	2x55	Carriage Bolt 1/2-13x1	.44
4	21302	Steering Wheel	7.18
5	32x70	Spring Pin	.20
6	20865	Steering Post	.83
7	20599	Shroud Assy. - L. Half	5.88
8	21172C	Sleeve	.58
9	15x1	Hex Nut 1/4-20	.20
10	6x58	Hex Cap Screw 1/4-20x1-1/2	.20
11	20630	Seat Bracket	3.07
12	17x67	Washer	.20
13	2x56	Carriage Bolt 3/8-16x7/8	.20
14	15x68	Locknut 3/8-16	.20
15	15x64	Hex Nut 1/2-13	.21
16	21222	Remote Control Unit	1.97
17	26x159	Self Tapping Screw #8x3/8	.20
18	26x184	Hex Tapping Screw #10x5/8	.23
19	2x53	Carriage Bolt 5/16-18x5/8	.20
20	20697	Woodruff Key #9	.28
21	20530	Engine Base	14.09
22	20497	Console Assy.	4.58
23	20575E	Pedal Assy.	.76
24	15x63	Hex Nut 7/16-14	.27
25	20473	Apron Assy.	3.11
26	26x179	Tapping Scr. - Flat Hd. #10x1/2	.23
27	26x50	Hex Tapping Screw 5/16x5/8	.20
28	26x51	Hex Tapping Screw 5/16x3/4	.23
29	19x7	Sh. Pr. Washer	.20
30	1x45	Hex Bolt 5/16-18x5/8	.20
31	20635	Lifting Rod & Hinge Assy.	1.64
32	15x43	Locknut 5/16-18	.23
33	20493	Frame Channel	4.89
34	2x56	Carriage Bolt 3/8-16x3/4	.20
35	21071	Steering Supt.	1.66
36	19x6	Sh. Pr. Washer	.20
37	20690	Mat. R. H.	2.62
38	20691	Mat. L. H.	2.62
39	20541	Running Brd. - L. H.	3.47
40	20540	Running Brd. - R. H.	3.47
41	20864	Lower Str'g. Post	1.56
42	21300	Hanger & Pin Assy. R. H.	.60
43	17x100	Plain Washer	.20
44	20587	Nylon Bearing	.20
45	30x49	Cotter Pin	.20
46	20639	Apron Support	.24
47	21309	Spindle & Arm Assy. - L. H.	1.58
48	21308	Spindle & Arm Assy. - R. H.	1.58
49	21304	Tie Bar Assy.	1.49
50	20743	Frnt. Wheel & Tire	19.75
	133x2	Tire Only	12.88
	134x2	Tube Only	5.15
	135x2	Wheel Only	7.72
51	20660	Shoulder Bolt	.26
52	20545	Frnt. Axle Beam	2.94
53	20645	Clutch & Brake Lever	1.40
54	20572	Clamp	.20
55	17x37	Plain Washer	.20
56	30x20	Cotter Pin	.20
57	19x1	Shake Pr. Washer	.20
58	20669	Brake Rod	.70
59	20692	Hair Pin Cotter	.20
60	20515	Belt Guide	.68
61	20698	Retainer Ring	.20
62	20614	Trans. Pulley	3.83

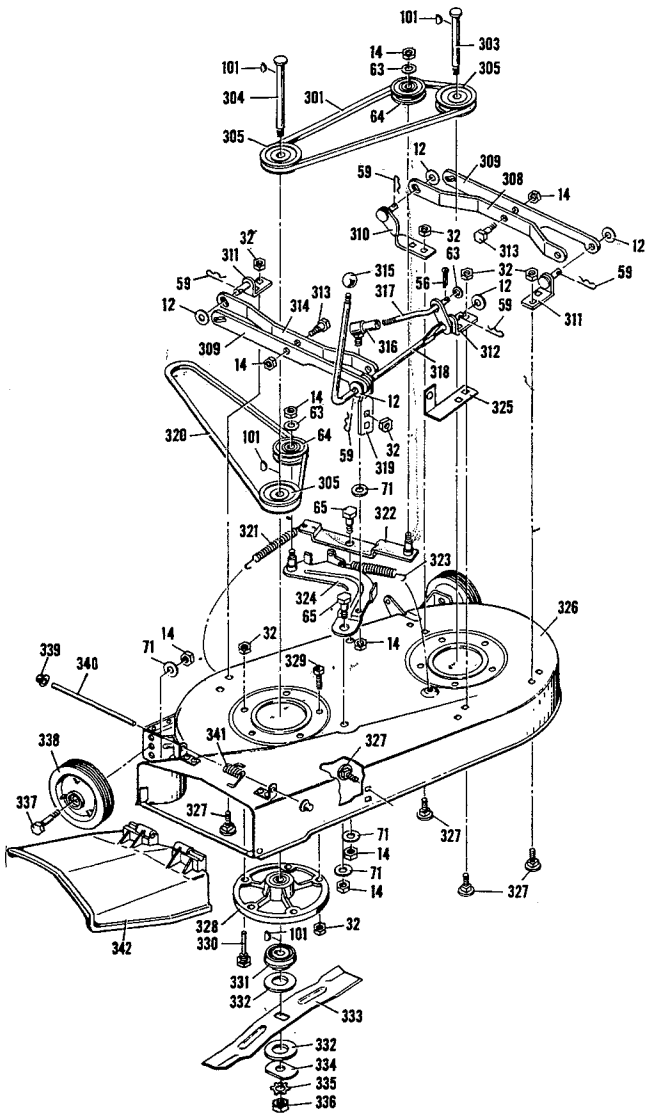
Item No.	Model 3-3013 Part No.	Description	List Price Each
63	17x53	Plain Washer	.20
64	20613	Idler Pulley	3.96
65	20662	Shoulder Bolt	.36
66	20510	Hanger & Pin Assy. L. H.	1.14
67	20682	Spring - Drive Idler	.46
68	20670	Drive Idler Assy.	2.70
69	20716+	Drive Belt	2.44
70	20626Z	Stack Pulley Assy.	4.46
71	10851Z	Plain Washer	.20
72	1x20	Hex Bolt 3/8-24x1	.20
73	20797	Hub Cap - R.R.	2.24
74	1x81	Hex Bolt 5/16-18x1-5/8	.20
75	20752	R.R. Wheel & Tire	24.85
	133x3	Tire Only	19.95
	135x3	Wheel Only	12.08
	40016Z	Valve Stem & Cap - Tubeless	.89
76	21009Z	Outer Brg. Ret. Assy.	1.08
77	20568	Bronze Bearing	3.07
78	20570Z	Retainer - Inner	.54
79	20685	Differential & Axle	28.49
80	20732	Roller Chain & Link #41	3.06
81	20792	Shroud Assy. - R. Half	5.80
82	20672Z	Connector Rod	.45
83	20658Z	Lever & Pin Assy.	1.58
84	17x45	Plain Washer	.20
85	1x77	Hex Bolt 3/8-24x5/8	.20
86	21171	Collar	.28
88	1x66	Hex Bolt 5/16-24x1-1/4	.20
89	20718	Grip	.30
90	20636	Index Brk't.	.76
91	20680	Spring Lifter	.20
92	17x46Z	Plain Washer	.20
93	15x79	Hex Nut 5/16-18	.20
94	17x47	Plain Washer	.20
95	15x42	Locknut 5/16-24	.20
96	21370	Transmission	79.17
97	20881	Model No. Plate	.20
98	20696	Eye Bolt	.64
99	15x33	Hex Nut 3/8-24	.20
100	20841	Brake Lever Knob	1.40
101	20062	Woodruff Key #6	.30
102	21021	Brake Spring	.36
103	21303	Steering Wheel Cap	.20
104	20796C	Hub Cap - Frnt.	.70
105	20709	Stop Brace	.20
106	20728	Seat Pan Assy.	12.37
107	26x188	Self Tapping Screw #8x1/4	.20
108	20730	Connecting Link - #41 Chain	.34
109	26x186	Truss Hd. Tap Screw #10x1/2	.20
110	17x106	Plain Washer	.20
111	20720	Grommet	.20
112	21034	Nylon Bearing	.66
113	29x94	Clevis Pin	.20
114	20891	Air Cylinder	2.98
115	26x184	Hex Tapping Screw #10x5/8	.23
116	19x36	Lock Washer	.20
117	19x4	Shake-Proof Washer	.20
118	21241	Control Plate	.89
119	1x73	Hex Bolt 5/16-18x7/8	.20
120	20996	Hanger Brkt. Assy.	1.16
121	20847Z	Rear Axle Sleeve	.66
122	61961Z	Plain Washer	.20
123	2x58	Carriage Bolt 5/16-18x2-1/2	.20
124	20745	Frnt. Wheel Bearing	.36

\*NOTE: Your Engine Model, Type and Code Number is Stamped on Blower Housing.

\*\*NOTE: Order Parts By Mower Model Number and Part Description.

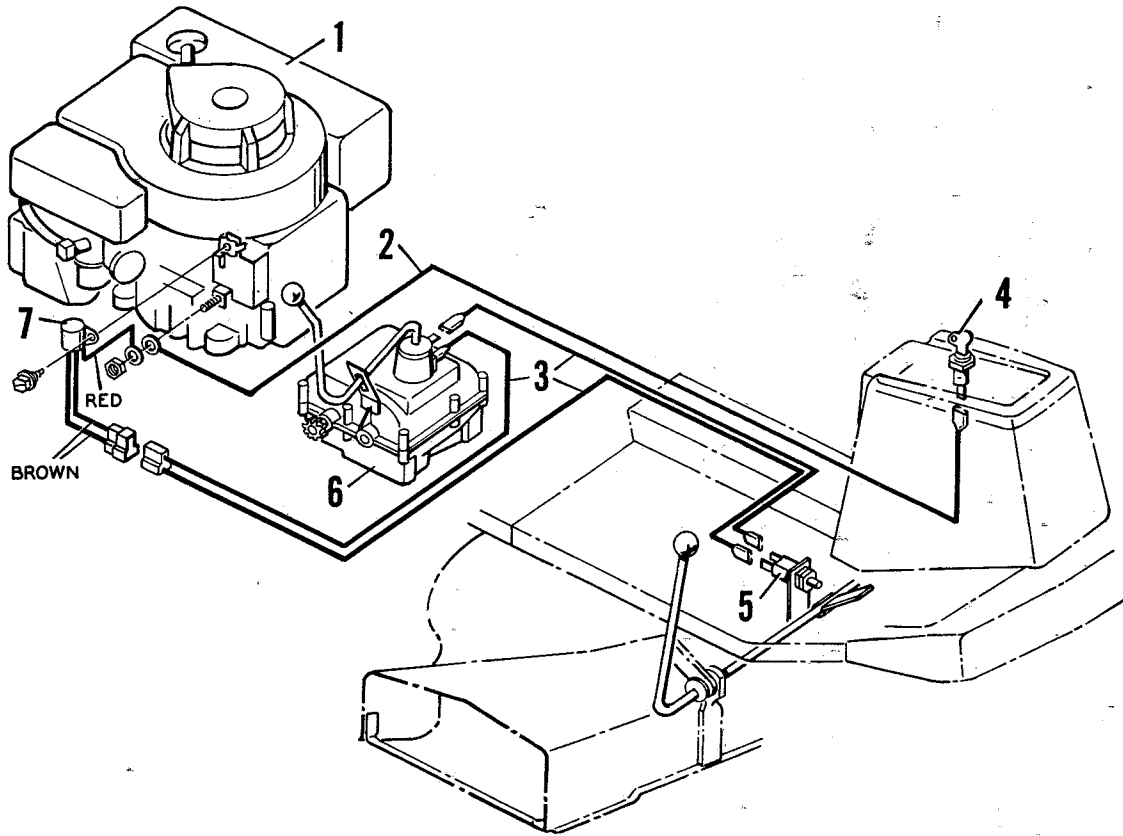
+When the manufacturer's belt is not available, Gates' Belt No. 2370 may be substituted for such manufacturer's belt.

**Blade Housing  
Riding Mower  
Model 3-3013**



Item No.	Model 3-3013 Part No.	Description	List Price Each
12	17x67Z	Plain Washer	.20
14	15x12	Locknut (3/8-16)	.20
32	15x43Z	Locknut (5/16-18)	.23
56	30x20	Cotter Pin	.20
59	20692	Hair Pin Cotter	.20
63	17x53Z	Plain Washer	.20
64	20613	Idler Pulley	3.96
65	20662	Shoulder Bolt	.36
71	10851Z	Plain Washer	.20
101	20062	Woodruff Key #6	.30
301	20555	Cross Drive Belt	3.06
303	20616	Jack Shaft - Short	2.75
304	21024	Jack Shaft - Long	3.09
305	21022	Pulley	2.79
308	20643	Innr Arm - L.H.	1.80
309	20644	Outter Arm	1.64
310	21020	Scissors Brkt. Assy.	1.54
311	20994	Hanger Brkt. Assy.	1.14
312	20936	Hanger Brkt.	.40
313	20661	Shoulder Bolt	.36
314	20642	Inner Arm - P.H.	1.80
315	20739	Knob	.96
316	21031	Ball Joint	1.58
317	20509Z	Link Rod	1.14
318	21138C	Lever & Link Assy.	1.96
319	21019	Housing Brkt.	.40
320	20556	Primary Blade Belt	3.31
321	20682	Idler Spring	.46
322	21139Z	Idler Brkt. Assy.	.76
323	20684	Drive Spring	.66
324	20653	Blade Idler Brkt. Assy.	1.02
325	21216	Safe Switch Retainer	.20
326	21219	Housing & Brkt. Assy.	21.38
327	2x53	Carriage Bolt	.20
328	20551	Jack Shaft Housing Assy.	7.90
329	1x73	Hex Bolt (5/16-18x7/8)	.20
330	20619	Guide Bolt	.38
331	20617	Blade Adapter	1.46
332	20618	Blade Cushion	.40
333	20928	Blade	2.56
334	20663Z	Washer	.30
335	19x36	Shake Proof Washer	.20
336	15x72	Hex Nut (1/2x20)	.20
337	20086	Axle Bolt	.28
338	21027	Guage Wheel	2.14
339	28x23	Push-On-Cap	.20
340	21197Z	Deflector Rod	.20
341	21189	Torsion Spring	.52
342	21152	Chute Deflector	1.62

**Electric System  
Model 3-3013**



Item No.	Model 3-3013 Part No.	Description	List Price Each
1	-----	Engine	-----
2	20610	Jumper Wire	.24
3	21363	Wiring Harness	1.54
4	21211	Stop Switch & Key	1.76
5	20608	Limit Switch	1.01
6	21370	Transmission	79.17
7	21361	Control Module	9.14
	20756	Stop Switch Key	.20