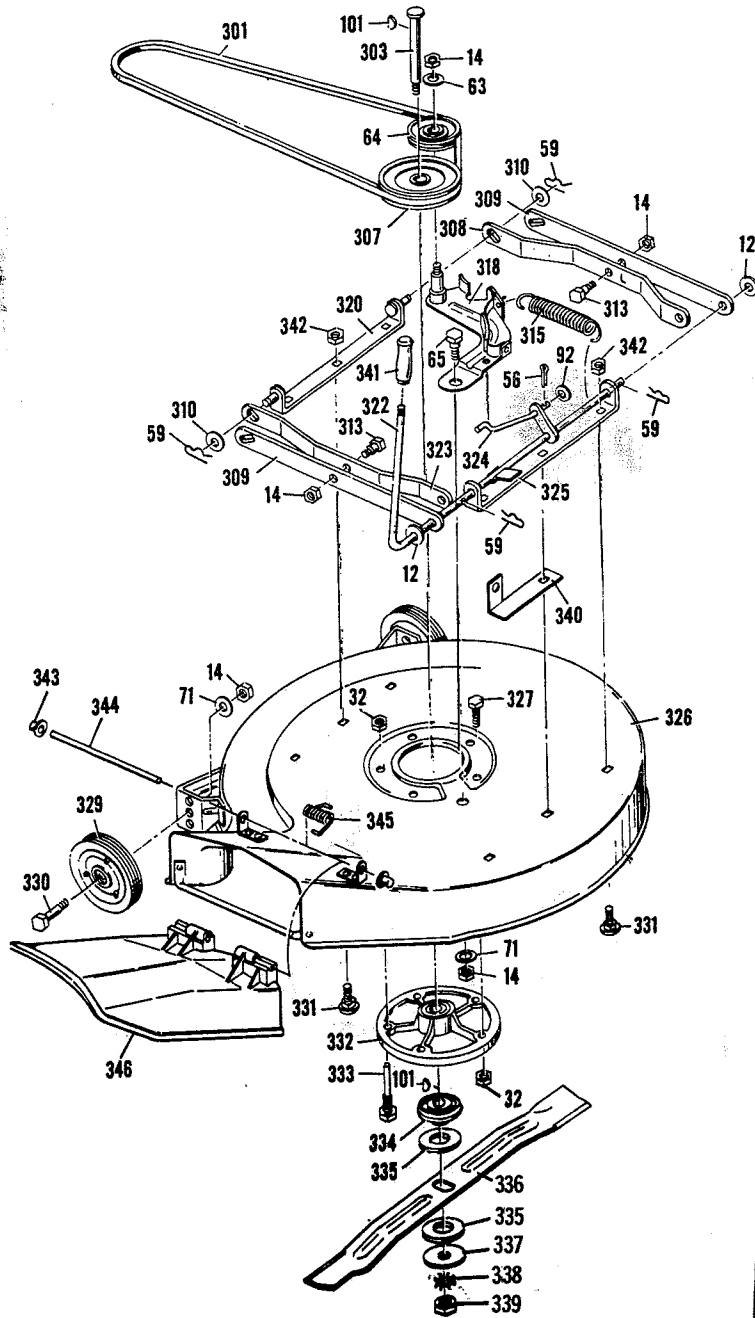


**Riding Mower
Models 3-2503 and 3-2513**

Item No.	Model 3-2503 3-2513 Part No.	Description	List Price Each	Item No.	Model 3-2503 3-2513 Part No.	Description	List Price Each
1	-----	Engine - See Note *	----	61	20698	Retainer Ring	.20
2	20724	Seat Pad - (3-2503)	10.67	62	20614	Trans. Pulley	3.83
2	20728	Seat Pad - (3-2513)		63	17x53	Plain Washer	.20
3	2x55	Carriage Bolt 1/2-13x1	.44	64	20613	Idler Pulley	3.96
4	21302	Steering Wheel	7.18	65	20662	Shoulder Bolt	.36
5	32x70	Spring Pin	.20	66	20665	R.R. Hanger Brk't. Assy.	2.33
6	20865	Steering Post	.83	67	20682	Spring - Drive Idler	.46
7	20599	Shroud Assy. - L. Half	5.88	68	20670	Drive Idler Assy.	2.70
8	21172C	Sleeve	.58	69	20716+	Belt Drive	2.44
9	15x1	Hex Nut 1/4-20	.20	70	20626Z	Stack Pulley Assy.	4.46
10	6x58	Hex Cap Screw 1/4-20x1-1/2	.20	71	10851Z	Plain Washer	.20
11	20630	Seat Bracket	3.07	72	1x20	Hex Bolt 3/8-24x1	.20
12	17x67Z	Washer	.20	74	1x81	Hex Bolt 5/16-18x1-5/8	.20
13	2x56	Carriage Bolt 3/8-16x7/8	.20	75	20751	R.R. Wheel & Tire - (3-2503)	24.28
14	15x68	Flanged Nut 3/8-16	.20		133x1	Tire Only	16.39
15	15x64	Hex Nut 1/2-13	.21		134x1	Tube W/Cap	5.38
16	21221	Remote Control Unit - (3-2503)	2.40		135x1	Wheel Only	11.63
16	21222	Remote Control Unit - (3-2513)	1.97	20752		R. R. Wheel & Tire - Tubeless - (3-2513)	24.85
17	26x159	Self Tapping Screw #8x3/8	.20		133x3	Tire Only	19.95
18	26x184	Hex Tapping Screw #10x5/8	.23		135x3	Wheel Only	12.08
19	2x53	Carriage Bolt 5/16-18x5/8	.20	400162		Valve Stem & Cap	.89
20	20697	Woodruff Key #9	.28	76	21009Z	Outer Brg. Ret. Assy.	1.08
21	20530	Engine Base	14.09	77	20568	Bronze Bearing	3.07
22	20565	Console Assy (Model 3-2503)	4.56	78	20570Z	Retainer - Inner	.54
22	20497	Console Assy. (Model 3-2513)	4.58	79	20685	Differential & Axle	28.49
23	20575E	Pedal Assy.	.76	80	20732	Roller Chain & Link #41	3.06
24	15x63	Hex Nut 7/16-14	.27	81	20792	Shroud Assy. - R. Half - (3-2513)	5.80
25	20474	Apron Assy. (Model 3-2503)	3.10	81	21117	Shroud Assy. - R. Half - (3-2503)	5.64
25	20473	Apron Assy. (Model 3-2513)	3.11	82	20672Z	Connector Rod	.45
26	26x179	Tapping Scr. - Flat Hd. #10x1/2	.23	83	20658Z	Lever & Pin Assy.	1.58
27	26x50	Hex Tapping Screw 5/16x5/8	.20	84	20891	Air Cylinder	2.98
28	26x51	Hex Tapping Screw 5/16x3/4	.23	85	1x77	Hex Bolt 3/8-24x5/8	.20
29	19x6	Sh. Pr. Washer	.20	86	20699	Chain Lifter	.38
30	1x45	Hex Bolt 5/18x5/8	.20	87	17x104	Locknut 3/8-16	.20
31	20635	Lifting Rod & Hinge Assy.	2.92	88	1x74	Hex Bolt 5/16-24x1-1/4	.20
32	15x79	Locknut 5/16-18	.20	89	20718	Grip	.30
33	20544	Frame Channel (Model 3-2503)	4.71	90	20636	Index Brk't.	.76
33	20493	Frame Channel (Model 3-2513)	4.89	91	20680	Spring Lifter	.20
34	21171	Steering Wheel Collar	.28	92	17x46	Plain Washer	.20
35	21071	Steering Supt.	1.66	93	20103	Engine Bolt 3/8-16x1 - 5 H.P. Engine Only	.33
36	17x87	Plain Washer	.20	94	17x47	Plain Washer	.20
37	20690	Mat. R.H.	2.62	95	15x42	Locknut 5/16-24	.20
38	20691	Mat. L.H.	2.62	96	21370	Transmission	79.17
39	20541	Running Brd. - L.H.	3.47	97	20881	Model No. Plate	.20
40	20540	Running Brd. - R.H.	3.47	98	20696	Eye Bolt	.64
41	20864	Lower Str'g. Post	1.56	99	15x33	Hex Nut 3/8-24	.20
42	20664	Ft. Hanger Brk't. Assy.	2.26	100	20841	Brake Lever Knob	1.40
43	17x100	Plain Washer	.20	101	20062	Woodruff Key #6	.30
44	20587	Nylon Bearing	.20	102	21021	Brake Spring	.36
45	30x49	Cotter Pin	.20	103	21303	Steering Wheel Cap	.20
46	20639	Apron Support	.24	104	29x94	Clevis Pin	.20
47	21309	Spindle & Arm Assy. - L.H.	1.58	105	20709	Stop Brace	.20
48	21308	Spindle & Arm Assy. - R.H.	1.58	106	20726	Seat Pan Assy. - (3-2503)	6.90
49	21304	Tie Bar Assy.	1.49	106	20727	Seat Pan Assy. - (3-2513)	7.17
50	20742	Frnt. Wheel & Tire - (3-2503)	10.44	107	26x188	Self Tapping Screw #8x1/4	.20
	20743	Frnt. Wheel & Tire - (3-2513)	19.75	108	20730	Connecting Link - #41 Chain	.34
	133x2	Tire Only	12.88	109	26x186	Truss Hd. Tap Screw #10x1/2	.20
	134x2	Tube Only	5.15	110	17x106	Plain Washer	.20
	135x2	Wheel Only	7.72	111	20720	Grommet	11.31
51	20660	Shoulder Bolt	.26	112	21034	Nylon Bearing	.66
52	20545	Frnt. Axle Beam	2.94	113	2x58	Carriage Bolt 5/16-18x2-1/2	.20
53	20645	Clutch & Brake Lever	1.40	114	15x43	Hex Lock Nut 5/16-18	.23
54	20572	Clamp	.20	115	19x7	Sh. Pr. Washer	.20
55	17x32	Plain Washer	.20	116	19x36	Sh. Pr. Washer	.20
56	30x20	Cotter Pin	.20	117	19x4	Shake-Proof Washer	.20
57	19x1	Shake Pr. Washer	.20	118	21241	Control Plate	.89
58	20669	Brake Rod	.70	119	20847Z	Rear Axle Sleeve	.66
59	20692	Hair Pin Cotter	.20	120	61961Z	Plain Washer	.20
60	20677	Belt Guide	.64	121	20745	Front Wheel Bearing	.36

* NOTE: Your Engine Model, Type and Code Number is stamped on Blower Housing.
 ** NOTE: Order Parts By Mower Model Number shown on mower nameplate and Part Description.
 + When the manufacturer's belt is not available, Gates' belt No. 2370 may be substituted for such manufacturer's belt.

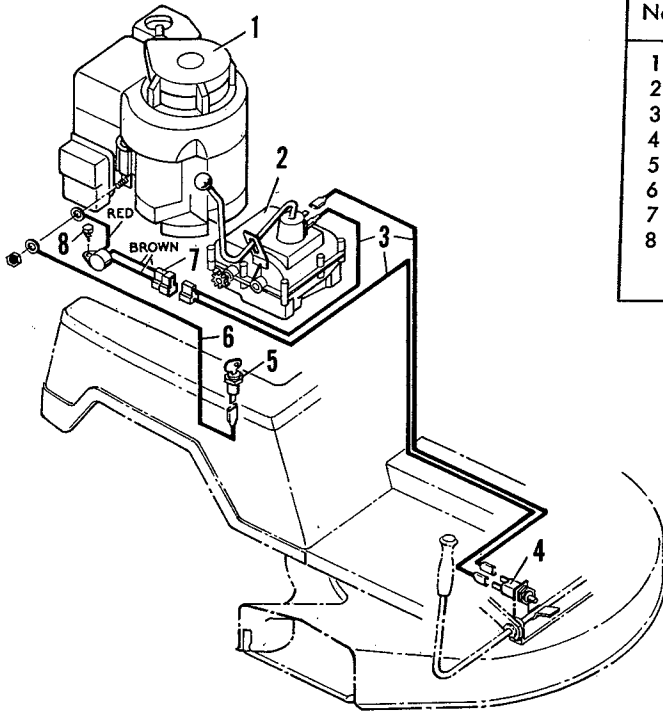
**Blade Housing
Riding Mowers
Models 3-2503 and 3-2513**



Item No.	Models 3-2503 3-2513 Part No.	Description	List Price Each
12	17x67Z	Plain Washer	.20
14	15x12	Locknut 3/8-16	.20
32	15x43Z	Locknut 5/16-18	.23
56	30x20	Cotter Pin	.20
59	20692	Hair Pin Cotter	.20
63	17x53	Plain Washer	.20
64	20613	Idler Pulley	3.96
65	20662	Shoulder Bolt	.36
71	10851Z	Plain Washer	.20
92	17x46	Plain Washer	.20
101	20062	Woodruff Key #6	.30
301	20717	Blade Belt	3.54
303	20616	Jack Shaft	2.75
307	20615	Jack Shaft Pulley	3.12
308	20643	Inner Arm L.H.	1.80
309	20644	Outer Arm	1.64
313	20661	Shoulder Bolt	.36
315	20681	Spring	.58
318	20671	Idler Brkt. & Brace Assy.	3.03
320	20668	RR. Scissor Brk't. Assy.	2.28
322	21213Z	Lever and Link Assy.	2.02
323	20642	Inner Arm R.H.	1.80
324	20673Z	Rod-Blade Brake	.82
325	20666	Frnt. Scissor Brk't.	.94
326	21218	Housing & Brk'ts. Assy.	21.29
327	1x73	Hex Bolt 5/16-18x7/8	.20
329	20629	Gauge Wheel	1.90
330	20086	Axle Bolt	.28
331	2x54	Step Bolt 5/16-18x5/8	.41
332	20551	Jackshaft Hsng. Assy.	7.90
333	20619	Guide Bolt	.38
334	20617	Blade Adapter	1.46
335	20618	Blade Cushion	.40
336	20083	Blade	4.49
337	20663Z	Washer	.30
338	19x36	Sh. Pr. Washer	.20
339	15x72	Hex Nut 1/2-20	.20
340	21216	Switch Retainer	.20
341	20719	Grip	.44
342	15x79	Flange Nut 5/16-18	.20
343	28x23	Push-On-Cap	.20
344	21197Z	Deflector Rod	.20
345	21189	Torsion Spring	.52
346	21151	Chute Deflector	1.64

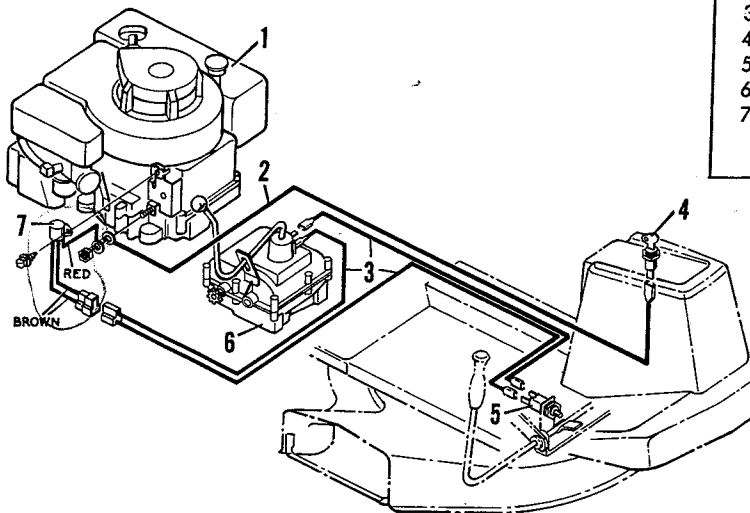
Electric System
Models 3-2503, 3-2513

3-2503



Item No.	Model 3-2503 Part No.	Description	List Price Each
1	-----	Engine	----
2	21370	Transmission	79.17
3	21364	Wiring Harness	1.56
4	20608	Limit Switch	1.01
5	21211	Stop Switch & Key	1.76
6	21212	Jumper Wire	.24
7	21361	Control Module	9.14
8	26x185 20756	Screw Stop Switch Key	.23 .20

3-2513



Item No.	Model 3-2513 Part No.	Description	List Price Each
1	-----	Engine	----
2	20610	Jumper Wire	.24
3	21363	Wiring Harness	1.54
4	21211	Stop Switch & Key	1.76
5	20608	Limit Switch	1.01
6	21370	Transmission	79.17
7	21361 20756	Control Module Stop Switch Key	9.14 .20