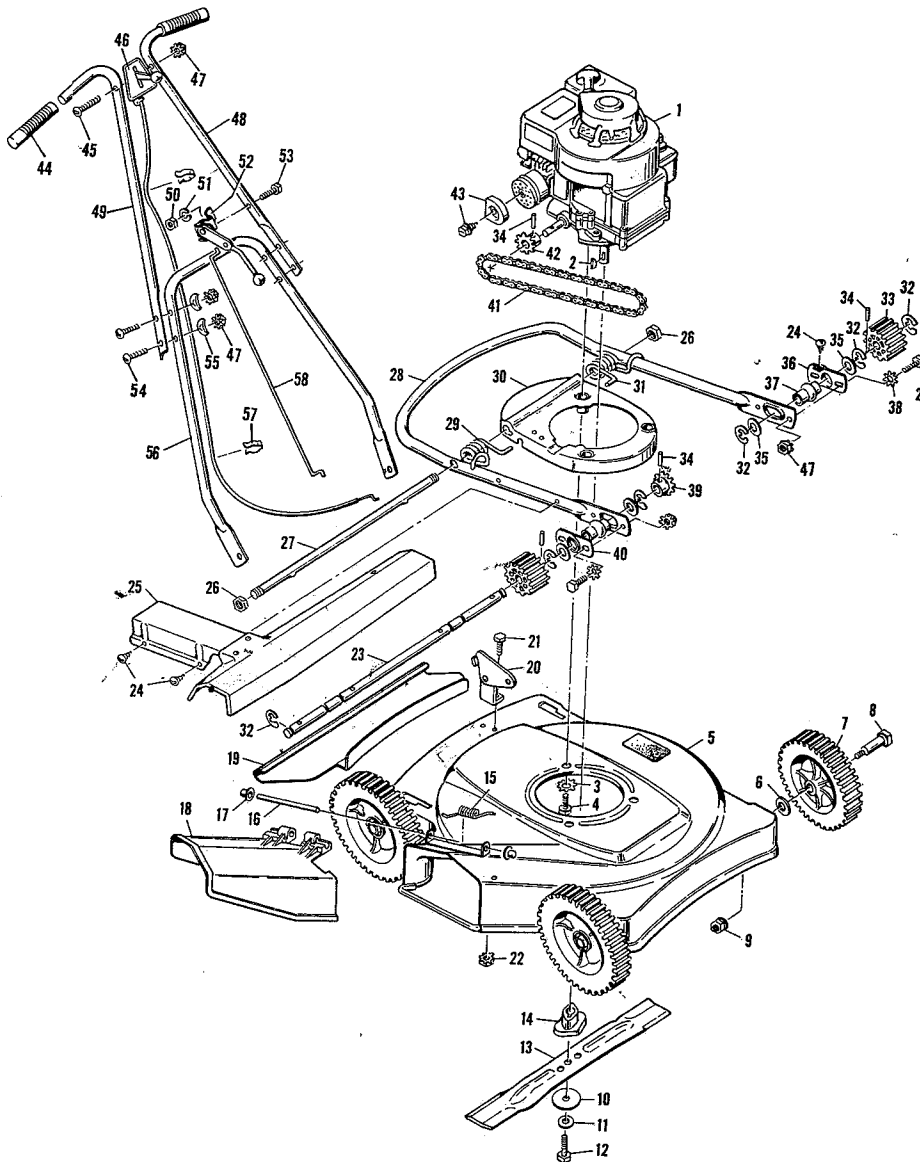


3-2251 22" Equipped Rotary Mower



Item No.	Model 3-2251 Part No.	Description	List Price Each	Item No.	Model 3-2251 Part No.	Description	List Price Each	Item No.	Model 3-2251 Part No.	Description	List Price Each
1	-----	Engine	----	20	20442Z	Brkt. & Pivot Arm Assy.	.59	40	20049Z	Bearing Retainer	.30
2	20062	Woodruff Key	.30	21	1x38	Hex Nut	.20	41	20108	Chain & Link	1.95
3	19x8	Shakeproof Washer	.20	22	15x67	Hex Nut	.20	42	20411	Engine Sprocket	.76
4	20102	Engine Bolt	.33	23	20091	Drive Shaft	4.25	43	20459	Exhaust Deflector	.20
5	22072	Housing Assy.	15.96	24	26x159	Self-Tapping Screw	.20	44	20460	Exhaust Deflector Screw	.20
6	10851 Z	Washer	.20	25	400153	Pinion & Chain Guard Assy.	3.52	45	20187	Grip	.42
7	20105	Wheel & Tire Assy.	3.08	26	15x64	Hex Nut	.21	46	22057	Control & Cable	2.19
8	20086	Axle Bolt	.28	27	20085Z	Pivot Shaft	1.16	47	15x66	Keys Nut	.25
9	15x68	Flanged Locknut	.20	28	20012C	Drive Arm	2.94	48	20393C	Upper Handle L-H	1.16
10	20094Z	Washer	.25	29	20067Z	Torsion Spring R-H	2.28	49	20060C	Upper Handle R-H	1.90
11	17x101	Cup Washer	.41	30	20054E	Base & Spacer Assy.	2.83	50	15x12	Hex Nut	.20
12	1x69	Blade Adapter Bolt	.24	31	20068Z	Torsion Spring L-H	2.28	51	18x16	Lock Washer	.20
13	20046	Blade	4.13	32	20100	Retainer Ring	.20	52	20444	Drive Control Assy.	1.56
14	20051	Blade Adapter	2.56	33	20066	Drive Pinion	1.25	53	6x61	Hex Bolt	.20
15	22052	Torsion Spring	.22	34	32x64	Spring Pin	.20	54	3x136	Bolt	.20
16	22050Z	Pivot Pin	.20	35	17x100Z	Washer	.20	55	20087	Formed Washer	.20
17	28x42	Push-On-Cap	.20	36	20375Z	Bearing Retainer	.20	56	20392C	Lower Handle Assy.	2.09
18	20455	Chute Deflector	1.20	37	20048	Bearing	1.05	57	20089	Cable Clip	.26
19	20452	Rear Guard Panel	1.50	38	19x4	Shakeproof Washer	.20	58	20388Z	Actuating Rod	.35
				39	20080	Drive Shaft Sprocket	1.47				