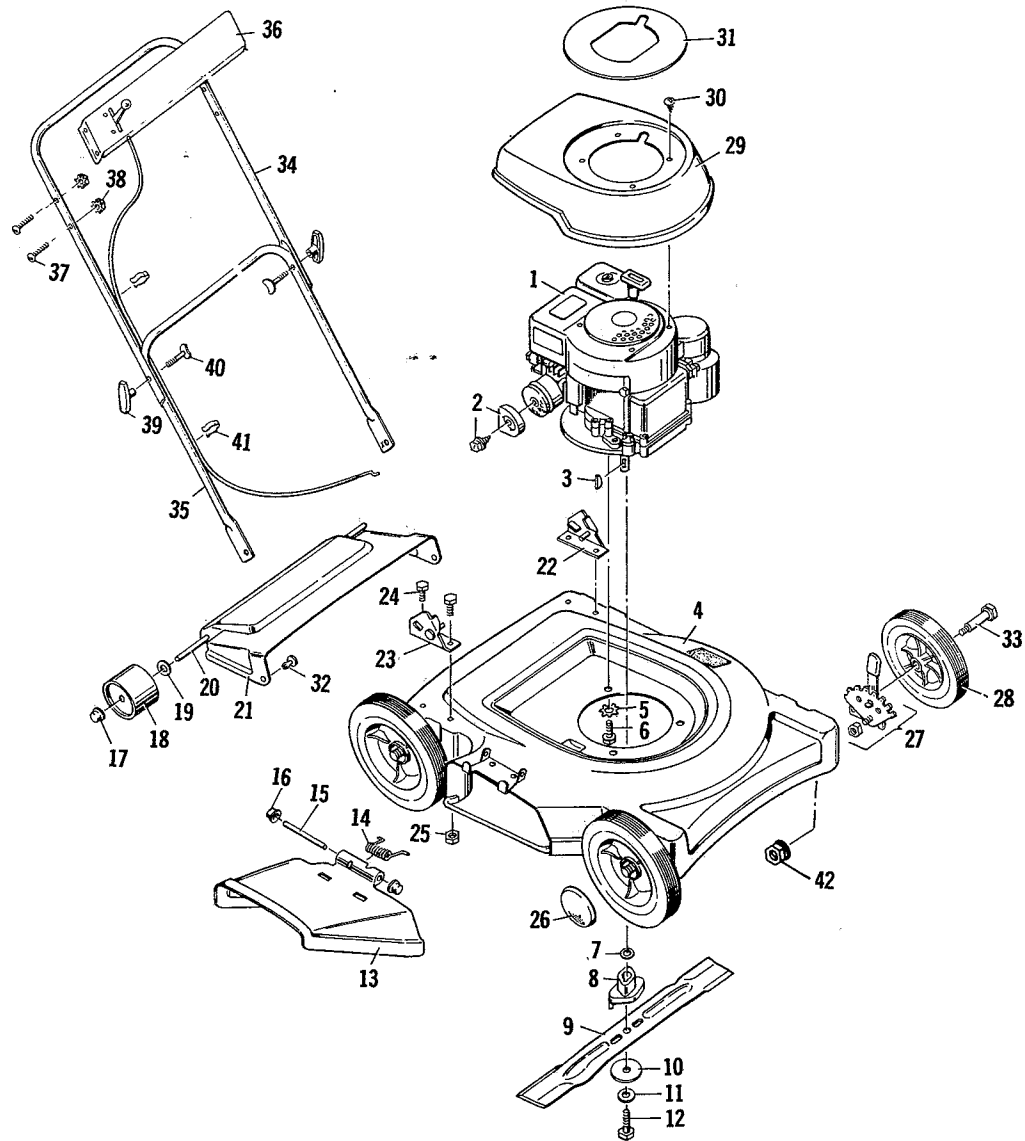


3-2013 20" Equipped Rotary Mower



Item No.	Model 3-2013 Part No.	Description	List Price Each	Item No.	Model 3-2013 Part No.	Description	List Price Each
1	-----	Engine *	-----	21	22290	Rear Guard	2.25
2	20459	Exhaust Deflector	.20	22	20199Z	L. H. Bracket & Weld Pin Assy.	1.00
3	20460	Exhaust Deflector Screw	.20	23	20198Z	R. H. Bracket & Weld Pin Assy.	1.00
4	20062	Woodruff Key	.30	24	1x38	Hex Bolt	.20
5	22300	Housing	17.77	25	15x82	Hex Nut	.20
6	19x8	Shakeproof Washer	.20	26	20090	Hub Cap	.62
7	20103	Engine Bolt	.33	27	22345	Wheel Adjustor	1.62
8	17x51Z	Washer	.20	28	20106	Wheel & Tire	2.62
9	20050	Blade Adapter	2.33	29	22339	Engine Shroud	2.51
10	20045	Blade	4.08	30	26x159	Screw	.20
11	20094Z	Washer	.25	31	22335E	Shroud Insert	.96
12	17x101	Cup Washer	.41	32	22053	Tri-Mount	.20
13	1x68	Blade Adapter Bolt	.20	33	22351	Axle Bolt	.20
14	22352	Chute Deflector	1.04	34	20309C	Upper Handle Assy.	3.71
15	22052	Torsion Spring	.22	35	20438C	Lower Handle Assy.	1.98
16	22326Z	Pivot Pin	.20	36	400177	Control & Cable	3.06
17	28x42	Push-On-Cap	.20	37	3x97	Bolt	.20
18	28x23	Push-On-Cap	.20	38	15x66	Keys Nuts	.25
19	22324	Wheel	.51	39	20266	Handle Knob	.88
20	17x52Z	Washer	.20	40	20129	Contour Bolt	.20
	22275Z	Axle	.45	41	20089	Cable Clips	.26
				42	15x12	Stover Locknut	.20