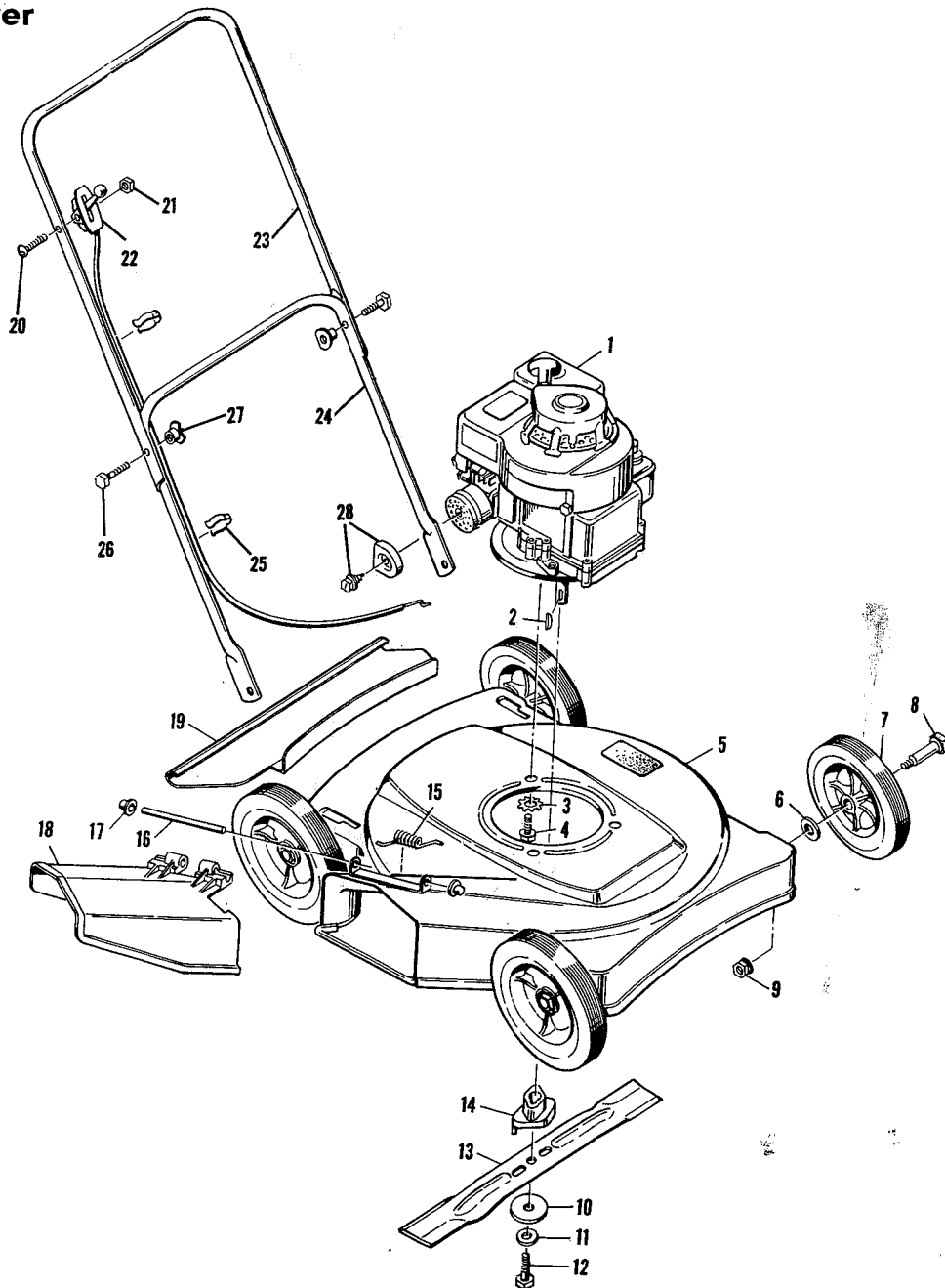


**3-2001 20" Equipped
Rotary Mower**



Item No.	Model 3-2001 Part No.	Description	List Price Each
1	----	Engine*	----
2	20062	Woodruff Key	.30
3	19x8	Shakeproof Washer	.20
4	20103	Engine Bolt	.33
5	22074	Housing Assy.	14.67
6	10851 Z	Washer	.20
7	20270	Wheel & Tire	2.62
8	20086	Axle Bolt	.28
9	15x68	Flange Locknut	.20
10	20094 Z	Washer	.25
11	17x101	Cup Washer	.41
12	1x68	Blade Adapter Bolt	.20
13	20045	Blade	4.08
14	20050	Blade Adapter	2.33
15	22052	Torsion Spring	.22

Item No.	Model 3-2001 Part No.	Description	List Price Each
16	22050 Z	Pivot Pin	.22
17	28x42	Push-On-Cap	.20
18	20454	Chute Deflector	1.16
19	20451	Rear Guard Panel	1.50
20	3x99	Bolt	.20
21	15x66	Keys Nut	.25
22	22056	Control Assy.	2.11
23	20437 C	Upper Handle Assy.	2.47
24	20438 C	Lower Handle Assy.	1.98
25	20089	Cable Clip	.26
26	20412	Bolt	.20
27	20410	T-Nut	.20
28	20459	Exhaust Deflector	.20
	20460	Exhaust Deflector Screw	.20