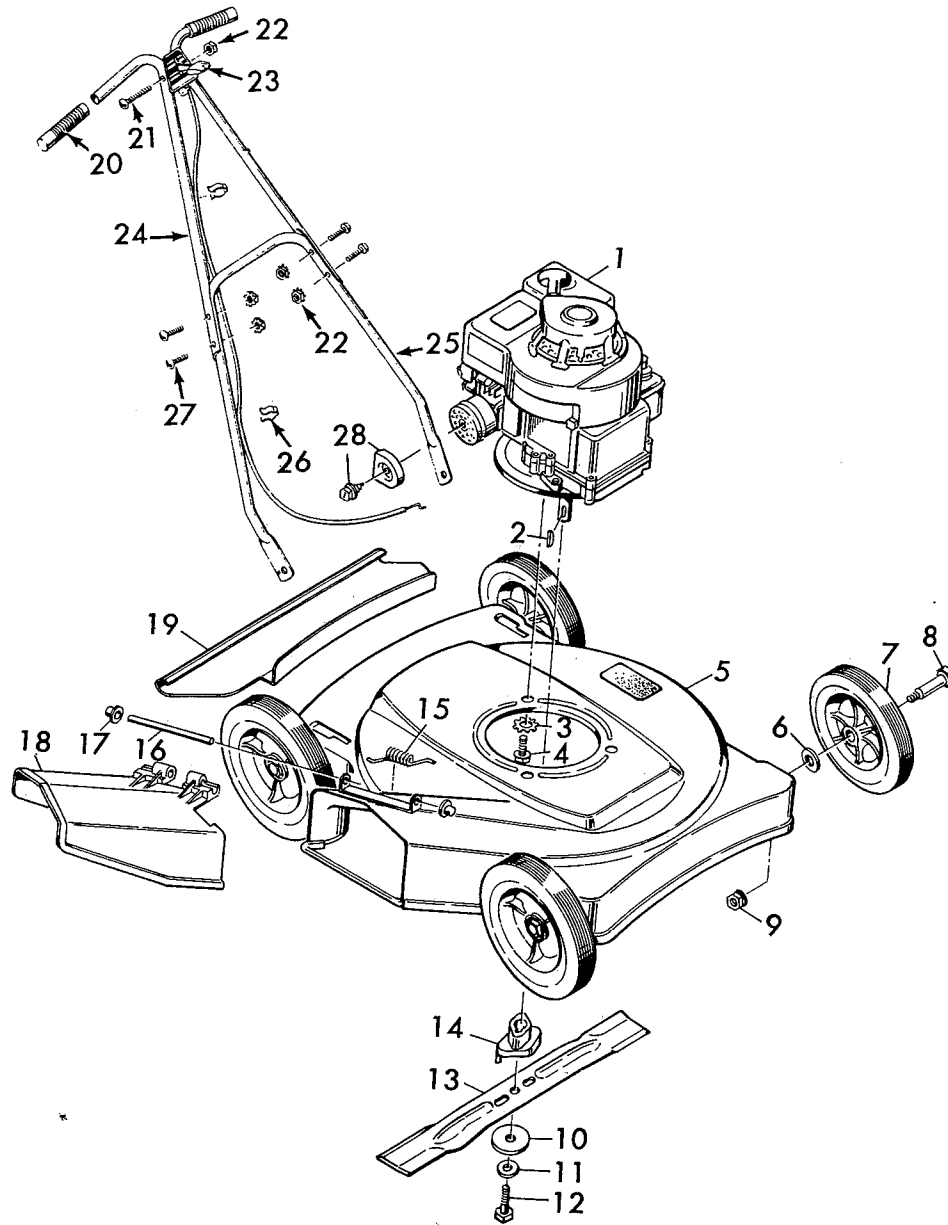


**3-1801 18" Equipped
Rotary Mower**



| Item No. | Model 3-1801 Part No. | Description | List Price Each | Item No. | Model 3-1801 Part No. | Description | List Price Each |
|----------|-----------------------|--------------------|-----------------|----------|-----------------------|-------------------------|-----------------|
| 1 | ----- | Engine | ---- | 16 | 22050Z | Pivot Pin | .20 |
| 2 | 20062 | Woodruff Key | .30 | 17 | 28x42 | Push-On-Cap | .20 |
| 3 | 19x8 | Shakeproof Washer | .20 | 18 | 20453 | Chute Deflector | 1.10 |
| 4 | 20103 | Engine Bolt | .33 | 19 | 20450 | Rear Guard Panel | 1.31 |
| 5 | 22070 | Housing Assy. | 13.06 | 20 | 20718 | Grip | .30 |
| 6 | 10851 Z | Washer | .20 | 21 | 3x142 | Bolt | .20 |
| 7 | 20270 | Wheel & Tire | 2.62 | 22 | 15x66 | Keys Nut | .25 |
| 8 | 20086 | Axle Bolt | .28 | 23 | 22057 | Control Assy. | 2.19 |
| 9 | 15x68 | Flange Locknut | .20 | 24 | 20307C | Upper Handle R.H. | 1.85 |
| 10 | 20094 Z | Washer | .25 | 25 | 20308C | Lower Handle Assy. | 2.72 |
| 11 | 17x101 | Cup Washer | .41 | 26 | 20260 | Cable Clip | .25 |
| 12 | 1x68 | Blade Adapter Bolt | .20 | 27 | 3x97 | Bolt | .20 |
| 13 | 20059 | Blade | 4.03 | 28 | 20459 | Exhaust Deflector | .20 |
| 14 | 20050 | Blade Adapter | 2.33 | | 20460 | Exhaust Deflector Screw | .20 |
| 15 | 22052 | Torsion Spring | .22 | | | | |