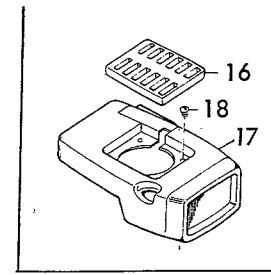
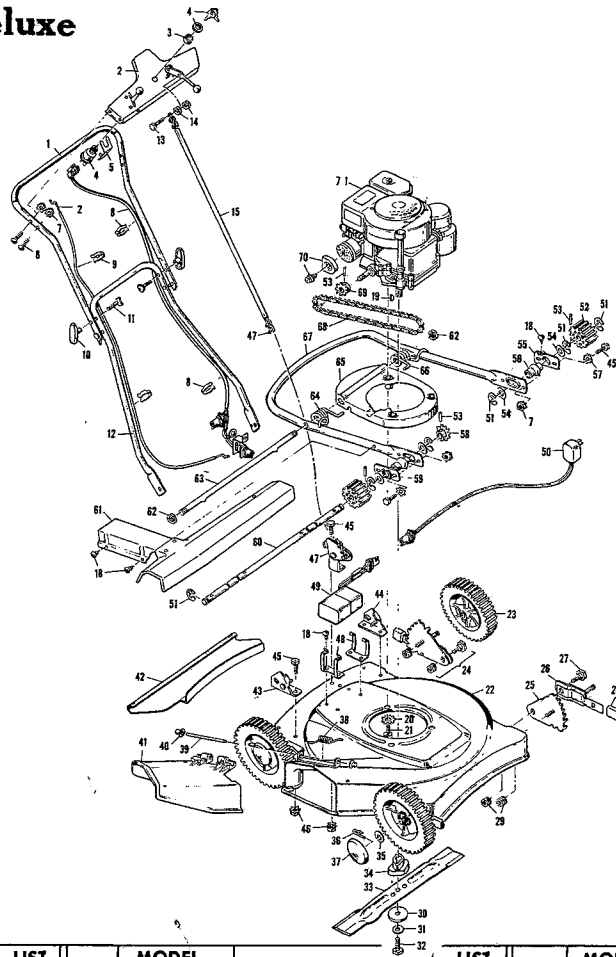


2-2254 22" Super Deluxe Rotary Mower



| ITEM NO. | MODEL 2-2254 PART NO. | DESCRIPTION | LIST PRICE EACH | ITEM NO. | MODEL 2-2254 PART NO. | DESCRIPTION | LIST PRICE EACH | ITEM NO. | MODEL 2-2254 PART NO. | DESCRIPTION | LIST PRICE EACH |
|----------|-----------------------|-----------------------------|-----------------|----------|-----------------------|-----------------------------|-----------------|----------|-----------------------|----------------------------|-----------------|
| 1 | 20247C | Upper Handle Assy. | 4.62 | 25 | 20113Z | Index Plate Assy. | 1.26 | 48 | 20337 | Battery Clips | .90 |
| 2 | 400174 | Control Panel & Cable Assy. | 4.32 | 26 | 20109Z | Arm, Axle & Spring Assy. | 1.62 | 49 | 20335 | Battery | 37.06 |
| 3 | 20167C | Spacer | .52 | 27 | 20064 | Shoulder Bolt | .35 | 50 | 20336 | Battery Charger | 7.25 |
| 4 | 20244 | Switch Assy. W/Key | 5.95 | 28 | 20065 | Lever Spring Knob | .32 | 51 | 20100 | Retainer Ring | .20 |
| 5 | 20245Z | Retainer Clamp | .20 | 29 | 15x68 | Flanged Locknut | .20 | 52 | 20066 | Drive Pinion | 1.25 |
| 6 | 3x97 | Bolt | .20 | 30 | 20094Z | Washer | .25 | 53 | 32x64 | Spring Pin | .20 |
| 7 | 15x66 | Keys Nut | .25 | 31 | 17x101 | Cup Washer | .41 | 54 | 17x100Z | Washer | .20 |
| 8 | 20242 | Electric Harness & Clips | 4.21 | 32 | 1x69 | Blade Adapter Bolt | .32 | 55 | 20375Z | Bearing Retainer L.H. | .20 |
| 9 | 20089 | Cable Clips | .26 | 33 | 20046 | Blade | 4.13 | 56 | 20048 | Bearing | 1.05 |
| 10 | 20266 | Handle Knob | .88 | 34 | 20051 | Blade Adapter | 2.56 | 57 | 19x4 | Shakeproof Washer | .20 |
| 11 | 20129 | Contour Bolt | .20 | 35 | 17x102Z | Washer | .20 | 58 | 20080 | Drive Shaft Sprocket | 1.47 |
| 12 | 20191C | Lower Handle Assy. | 3.84 | 36 | 20101 | Cotter Pin | .20 | 59 | 20049Z | Bearing Retainer R.H. | .30 |
| 13 | 20412 | Hex Bolt | --- | 37 | 20090 | Hub Cap | .62 | 60 | 20127 | Drive Shaft | 3.51 |
| 14 | 15x12 | Hex Nut | .20 | 38 | 22052 | Torsion Spring | .20 | 61 | 400153 | Pinion & Chain Guard Assy. | 3.52 |
| 15 | 20440 | Plastic Sleeve | --- | 39 | 22050Z | Pivot Pin | .20 | 62 | 15x64 | Hex Nut | .21 |
| 16 | 20449E | Grill | --- | 40 | 28x42 | Push-On-Cap | .20 | 63 | 20085Z | Pivot Shaft | 1.16 |
| 17 | 20446 | Engine Shroud | --- | 41 | 20455 | Chute Deflector | --- | 64 | 20067Z | Torsion Spring R.H. | 2.28 |
| 18 | 26x159 | Screw | .20 | 42 | 20452 | Rear Guard Pane | 1.33 | 65 | 20054E | Base & Spacer Assy. | 2.83 |
| 19 | 20062 | Woodruff Key | .30 | 43 | 20198Z | Brkt. & Weld Pin Assy. R.H. | 1.00 | 66 | 20068Z | Torsion Spring L.H. | 2.28 |
| 20 | 19x8 | Shakeproof Washer | .20 | 44 | 20199Z | Brkt. & Weld Pin Assy. L.H. | 1.00 | 67 | 20012C | Drive Arm | --- |
| 21 | 20102 | Engine Bolt | .56 | 45 | 1x38 | Hex Bolt | .20 | 68 | 20108 | Chain & Link | 1.95 |
| 22 | 22073 | Housing Assy. | --- | 46 | 15x67 | Lock Nut | .20 | 69 | 20411 | Engine Sprocket | .76 |
| 23 | 20105SC | Wheel & Tire Assy. | 3.38 | 47 | 400175 | Pivot Arm Brkt. & Chain | 1.54 | 70 | --- | Exhaust Deflector* | --- |
| 24 | 400152 | Wheel Adjuster Assy. | 2.63 | | | | | 71 | Engine | See Note * | --- |

*NOTE: Your Engine Model, Type & Code Number is stamped on the Blower Housing. All parts pertaining to this engine are available from the Briggs and Stratton Parts and Service Station listed in the yellow pages of the classified telephone directory.

IMPORTANT: To insure proper replacement parts always specify Model Number shown in mower model nameplate with Part Number and Part Name of item desired.