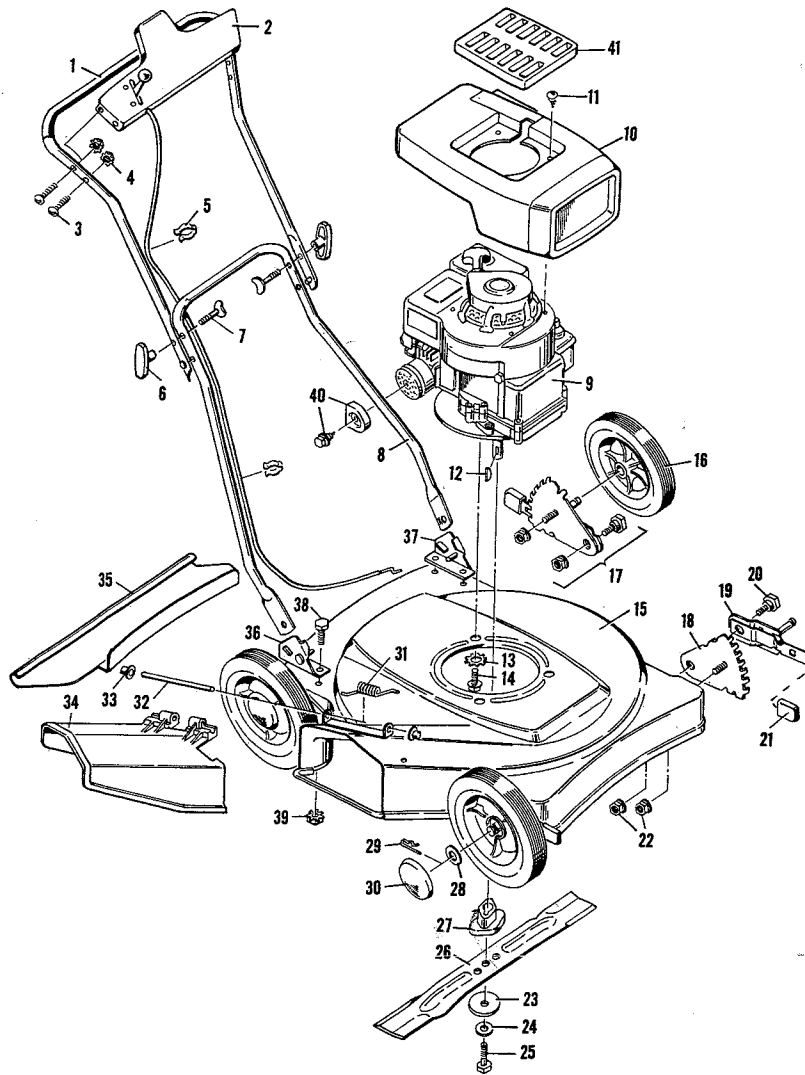


2-2203 22" Super Deluxe Rotary Mower



ITEM NO.	MODEL 2-2203 PART NO.	DESCRIPTION	LIST PRICE EACH	ITEM NO.	MODEL 2-2203 PART NO.	DESCRIPTION	LIST PRICE EACH	ITEM NO.	MODEL 2-2203 PART NO.	DESCRIPTION	LIST PRICE EACH
1	20247C	Upper Handle Assy.	4.62	15	22071	Housing Assy.	13.92	29	20101	Cotter Pin	.20
2	400167	Control Panel & Cable Assy.	2.67	16	20104	Wheel & Tire	3.08	30	20090	Hub Cap	.62
3	3x97	Bolt	.20	17	400152	Wheel Adjuster Assy.	2.63	31	22052	Torsion Spring	.20
4	15x66	Keys Nut	.25	18	20113Z	Index Plate Assy.	1.26	32	22050	Pivot Pin	.20
5	20089	Cable Clip	.26	19	20109Z	Arm, Axle & Spring Assy.	1.62	33	28x42	Push-On-Cap	.20
6	20266	Handle Knob	.88	20	20064	Shoulder Bolt	.35	34	20455	Chute Deflector	1.20
7	20129	Contour Bolt	.20	21	20065	Lever Spring Knob	.32	35	20452	Rear Guard Panel	1.33
8	20191C	Lower Handle Assy.	3.84	22	15x68	Flange Locknut	.20	36	20198Z	Brkt. & Weld Pin Assy. R.H.	1.00
9	Engine	See Note*	- - -	23	20094Z	Washer	.25	37	20199Z	Brkt. & Weld Pin Assy. L.H.	1.00
10	20445	Engine Shroud	2.34	24	17x101	Cup Washer	.41	38	1x38	Hex Bolt	.20
11	26x159	Screw	.20	25	1x68	Blade Adapter. Bolt	.20	39	15x67	Hex Nut	.20
12	20062	Woodruff Key	.30	26	20046	Blade	4.13	40	- - - -	Exhaust Deflector*	- -
13	19x8	Shakeproof Washer	.20	27	20050	Blade Adapter Washer	2.33	41	20449E	Grill	.81
14	20103	Engine Bolt	.33	28	17x102Z	Washer	.20				

*NOTE: Your Engine Model, Type & Code Number is stamped on the Blower Housing. All parts pertaining to this engine are available from the Briggs and Stratton Parts and Service Station listed in the yellow pages of the classified telephone directory.

IMPORTANT: To insure proper replacement parts always specify Model Number shown in mower model nameplate with Part Number and Part Name of item desired.