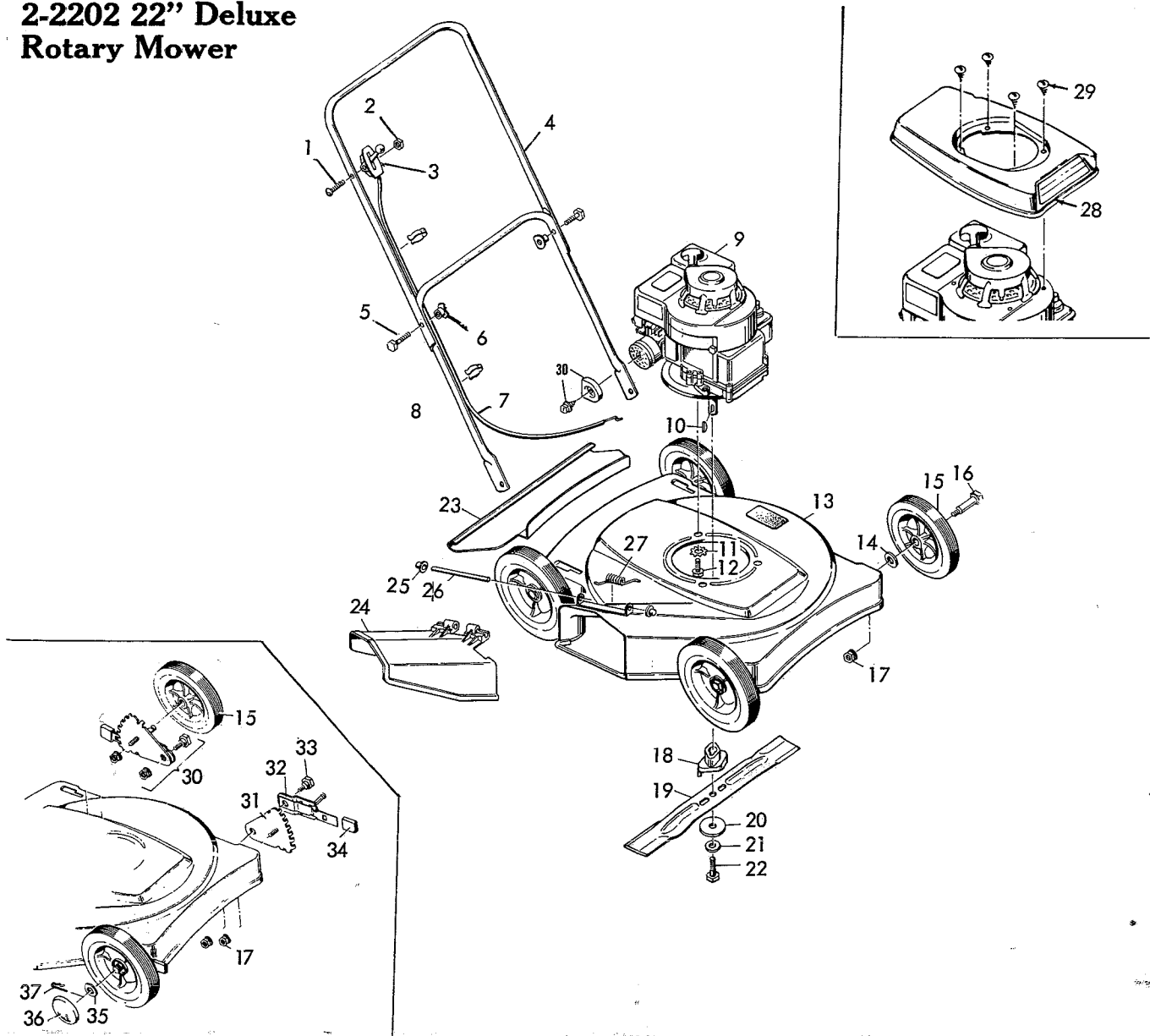


2-2202 22" Deluxe Rotary Mower



ITEM NO.	MODEL 2-2202 PART NO.	DESCRIPTION	LIST PRICE EACH	ITEM NO.	MODEL 2-2202 PART NO.	DESCRIPTION	LIST PRICE EACH	ITEM NO.	MODEL 2-2202 PART NO.	DESCRIPTION	LIST PRICE EACH
1	3x97	Bolt	.20	14	10851Z	Washer	.20	27	22052	Torsion Spring	.20
2	15x66	Lock Nut	.25	15	20106	Wheel & Tire	2.62	28	20183	Engine Shroud	3.93
3	400177	Control Assy.	3.06	16	20086	Axle Bolt	.28	29	26x159	Screw	.20
4	20436C	Upper Handle Assy.	2.36	17	15x68	Flange Nut	.20	30	400152	Wheel Adj. Assy.	2.63
5	20266	Handle Knob	.88	18	20050	Blade Adapter	2.33	31	20113Z	Index Plate Assy.	1.26
6	20129	Contour Bolt	.20	19	20046	Blade	4.03	32	20109Z	Arm, Axle & Spring Assy.	1.62
7	20089	Cable Clip	.26	20	20094Z	Washer	.25	33	20064	Shoulder Bolt	.35
8	20438C	Lower Handle Assy.	1.85	21	17x101	Cup Washer	.41	34	20065	Lever Spring Knob	.32
9	Engine	See Note *		22	1x68	Adapter Bolt	.20	35	17x102Z	Washer	.20
10	20062	Woodruff Key	.30	23	20452	Rear Guard Panel	1.33	36	20090	Hub Cap	.62
11	19x8	Shakeproof Washer	.20	24	20455	Chute Deflector	1.20	37	20101	Cotter Pin	.20
12	20103	Engine Bolt	.33	25	28x42	Push-On-Cap	.20				
13	22071	Housing Assy.	13.92	26	22050Z	Pivot Pin	.20				

*NOTE: Your Engine Model, Type & Code Number is stamped on the Blower Housing. All parts pertaining to this engine are available from the Briggs and Stratton Parts and Service Station listed in the yellow pages of the classified Telephone directory.

IMPORTANT: To insure proper replacement parts always specify Model Number shown on mower model nameplate with Part Number and Part Name of item desired.