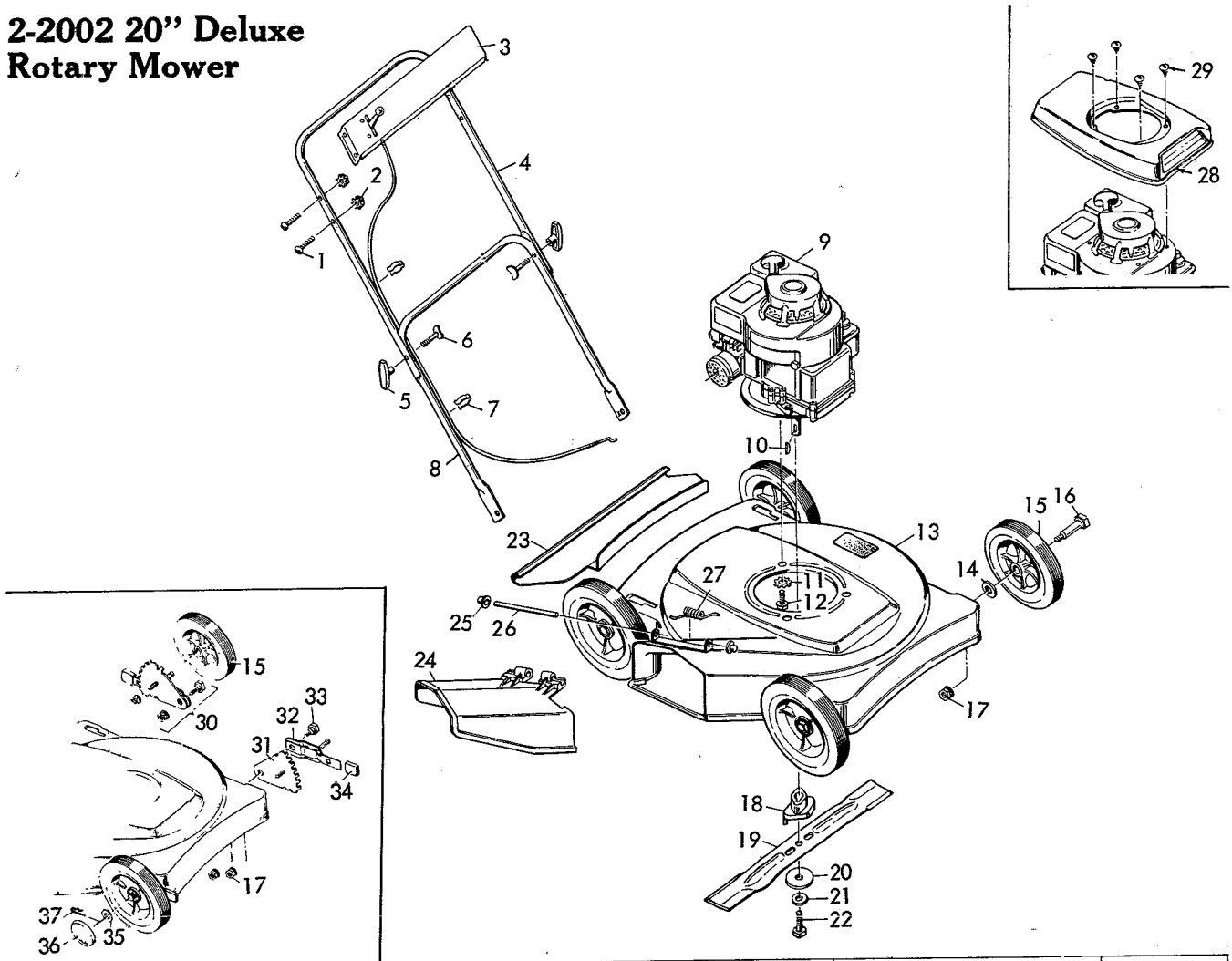


2-2002 20" Deluxe Rotary Mower



ITEM NO.	MODEL 2-2002 PART NO.	DESCRIPTION	LIST PRICE EACH	ITEM NO.	MODEL 2-2002 PART NO.	DESCRIPTION	LIST PRICE EACH
1	3x97	Bolt	.20	20	20094Z	Washer	.25
2	15x66	Lock Nut	.25	21	17x101	Cup Washer	.41
3	400177	Control Assy.	3.06	22	1x68	Adapter Bolt	.20
4	20436C	Upper Handle Assy.	2.36	23	20451	Rear Guard Panel	1.50
5	20266	Handle Knob	.88	24	20454	Chute Deflector	1.16
6	20129	Contour Bolt	.20	25	28x42	Push-On-Cap	.20
7	20089	Cable Clip	.26	26	22050Z	Pivot Pin	.20
8	20438C	Lower Handle Assy.	1.85	27	22052	Torsion Spring	.20
9	Engine	See Note *		28	20183	Engine Shroud	3.93
10	20062	Woodruff Key	.30	29	26x159	Screw	.20
11	19x8	Shakeproof Washer	.20	30	400152	Wheel Adjuster Assy.	2.63
12	20103	Engine Bolt	.33	31	20113Z	Index Plate Assy.	1.26
13	22075	Housing Assy.	13.21	32	20109Z	Arm, Axle & Spring Assembly	1.62
14	10851Z	Washer	.20	33	20064	Shoulder Bolt	.35
15	20106	Wheel & Tire	2.62	34	20065	Lever Spring Knob	.32
16	20086	Axle Bolt	.28	35	17x102Z	Washer	.20
17	15x68	Flange Nut	.20	36	20090	Hub Cap	.62
18	20050	Blade Adapter	2.33	37	20101	Cotter Pin	.20
19	20045	Blade	4.08				

*NOTE: Your Engine Model, Type & Code Number is stamped on the Blower Housing. All parts pertaining to this engine are available from the Briggs and Stratton Parts and Service Station listed in the yellow pages of the classified telephone directory.

IMPORTANT: To insure proper replacement parts always specify Model Number shown in mower model nameplate with Part Number and Part Name of item desired.